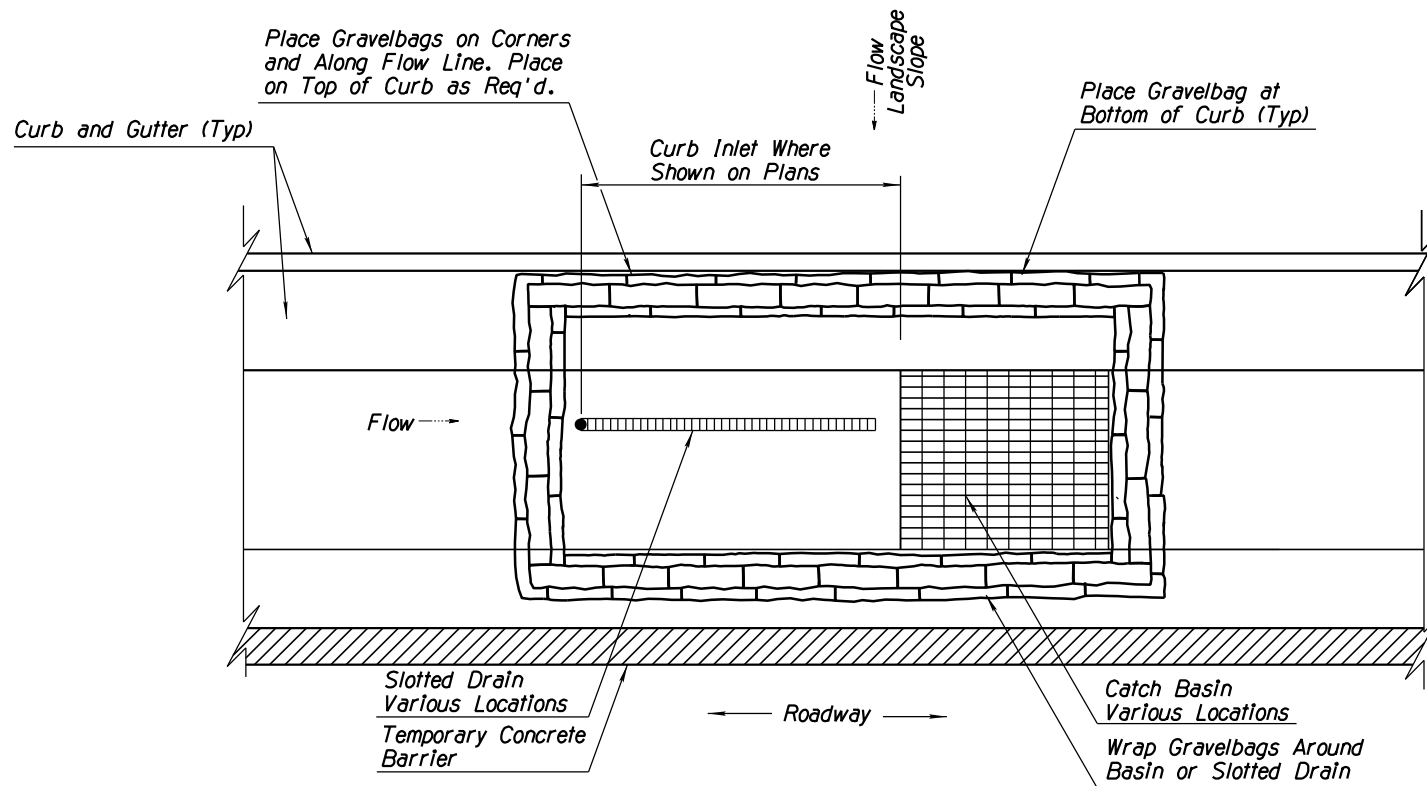
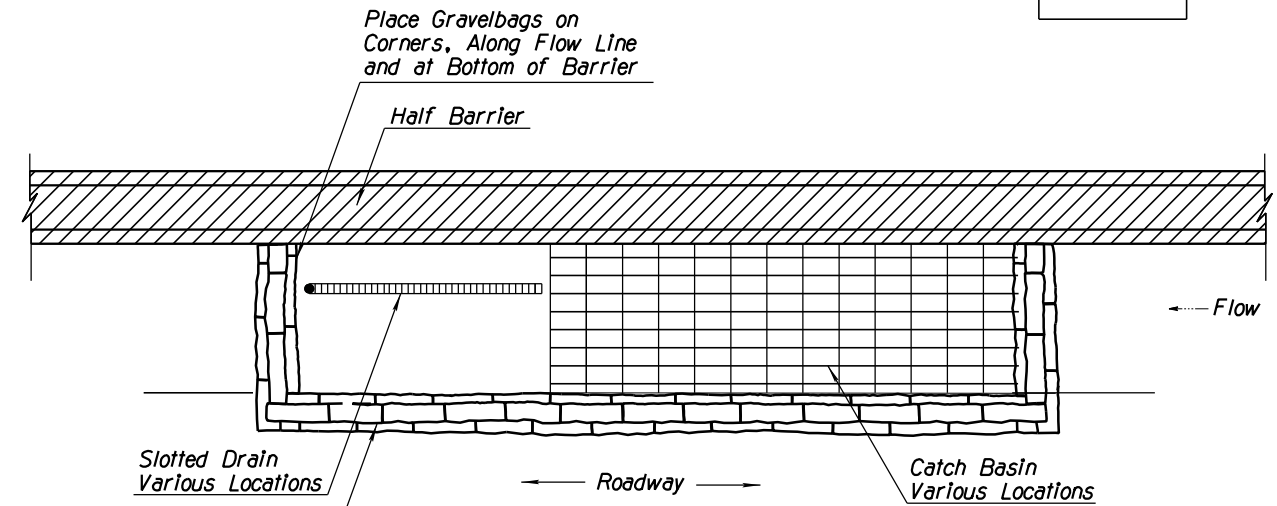


F.H.W.A. REGION	STATE	PROJECT NO.	SHEET NO.	TOTAL SHEETS	RECORD DRAWING
9	ARIZ.				



STORM DRAIN/INLET CATCH BASIN AT CURB PLAN VIEW (NTS)

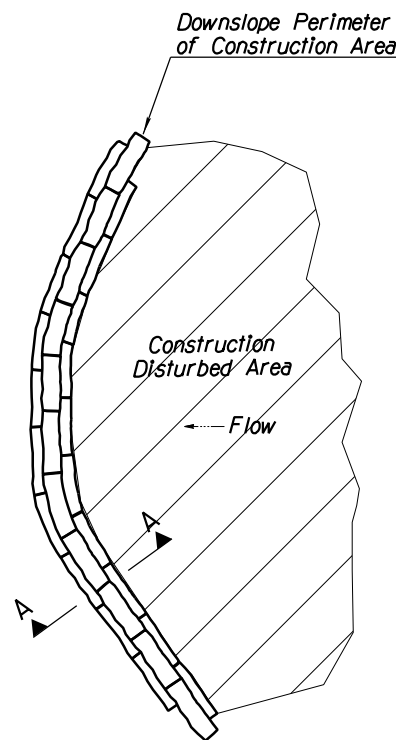


STORM DRAIN/INLET CATCH BASIN AT HALF BARRIER PLAN VIEW (NTS)

Note: Apply Under Traffic Control.

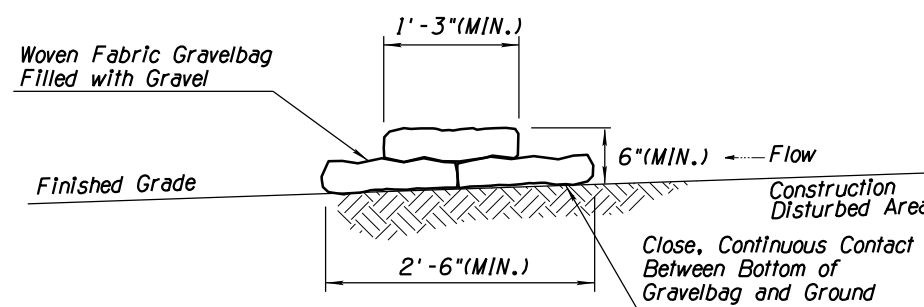
NOTES:

1. Gravelbag material shall be from polypropylene, polyethylene, or polyamide woven fabric. Refer to Special Provisions for Mullen burst strength and ultraviolet stability requirements.
2. When sediment depth reaches 3 inches, remove and properly dispose of accumulated material.
3. Do not apply Gravelbag BMP in the area of open traffic.
4. When applied as a perimeter control BMP, Gravelbags shall be used for surface areas where wattles and silt fences are not suitable.
5. Do not install Gravelbags as multiple ditch check dams.
6. The installation and maintenance of Gravelbag BMPs shall not negatively impact traffic safety, nor the designed function of roadway or bridge drainage facilities. Gravelbag BMPs shall be installed and maintained to carry the stormwater of at least 2-year, 24-hour events.
7. Gravelbags are designed for temporary water quality protection only. Remove Gravelbags per the direction of the Engineer or as soon as practicable upon stabilization of the construction disturbed area.
8. Make field adjustments and corrections of Gravelbag BMP immediately if it is causing flooding, erosion, and/or affecting roadway safety. Refer to Special Provisions for gradation of gravel material.
9. The Gravelbag BMP's pay/bid item shall include all materials used for this BMP: all ground preparation, furnishing, installing, maintenance, final removal, and disposal, as well as returning the area to an acceptable condition as approved by the Engineer.
10. Make field adjustments and corrections to ensure NO sensitive biological resources (native species / habitats) will be adversely impacted.



Note: Apply Under Traffic Control or Outside of ClearZone/Recovery Area

GRAVELBAG SEDIMENT TRAP PLAN VIEW (NTS)



SECTION A-A (NTS)

DETAIL ES9

GRAVELBAG PROTECTION

DESIGN	TAO ZI FONG	7-2016	ARIZONA DEPARTMENT OF TRANSPORTATION INFRASTRUCTURE DELIVERY AND OPERATIONS DIVISION ROADSIDE DEVELOPMENT SECTION STORMWATER QUALITY PROTECTION & EROSION/SEDIMENT CONTROL DETAILS
DESIGN	HAN MENG	7-2016	
DRAWN	TAO ZI FONG	7-2016	
DRAWN	HAN MENG	7-2016	
CHECKED	JOHN R. HUCKO	7-2016	
TEAM LEADER	E LEROY BRADY	7-2016	
ROUTE	MP	LOCATION	
TRACS NO.			
SHEET OF			
OF			