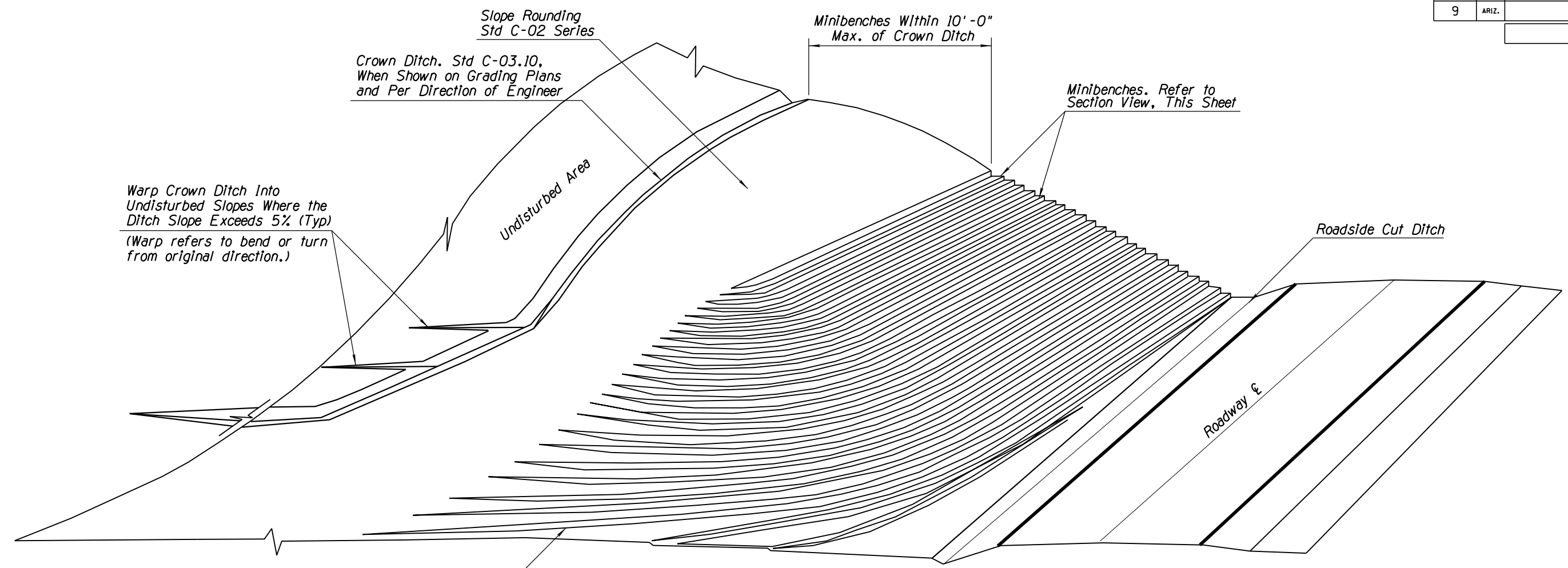


F.H.W.A. REGION	STATE	PROJECT NO.	SHEET NO.	TOTAL SHEETS	RECORD DRAWING
9	ARIZ.				

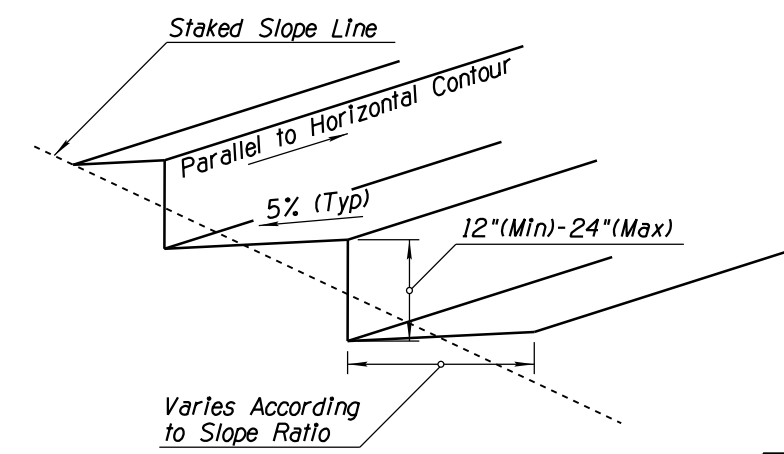


Warp Minibenches Into Undisturbed Slopes as Needed
(Warp refers to bend or turn from original direction.)

MINIBENCH PERSPECTIVE VIEW (NTS)

NOTES:

1. Construct Minibenches horizontally as the cut is being constructed. Apply slope rounding per Section 203, Subsection 3.03(B) of the Standard Specifications.
2. The horizontal dimension of the bench is a function of the staked slope.
3. Apply seeding for revegetation and permanent erosion control as the slope is being constructed to conform to the application limits of the seeding/mulching equipment. Refer to Standard Specifications Section 805 and these special provisions.
4. Construct each Minibench parallel to horizontal contour lines along entire length.
5. Construct horizontal Minibenches on all suitable soil and soil/rock slopes.
6. Use earth diversion dike in lieu of crown ditch when suitable and per the direction of the Engineer. Refer to Earth Diversion Dike Detail.
7. Unless otherwise specified, Sediment Wattles and soil tillage are not required on top of Minibenches.
8. Supplemental BMPs may be necessary in conjunction with crown ditches, earthen dikes or other run-on diversion measures to prevent scour.
9. No direct payment for minibenching of new slopes; all such costs shall be considered included in the cost of excavation.
10. Make field adjustments and corrections to ensure NO sensitive biological resources (native species / habitats) will be adversely impacted.



MINIBENCH SECTION VIEW (NTS)

DETAIL ES8
SLOPE MINIBENCHING

DESIGN	TAO ZI FONG	7-2016	ARIZONA DEPARTMENT OF TRANSPORTATION INFRASTRUCTURE DELIVERY AND OPERATIONS DIVISION ROADSIDE DEVELOPMENT SECTION	STORMWATER QUALITY PROTECTION & EROSION/SEDIMENT CONTROL DETAILS
DESIGN	HAN MENG	7-2016		
DRAWN	TAO ZI FONG	7-2016		
DRAWN	HAN MENG	7-2016		
CHECKED	JOHN R. HUICKO	7-2016		
TEAM LEADER	E LEROY BRADY	7-2016		
ROUTE	MP	LOCATION	SHEET	OF
TRACS NO.				OF

NO. 1 DESCRIPTION OF REVISION
MADE BY
DATE
NO. 2 DESCRIPTION OF REVISION
MADE BY
DATE