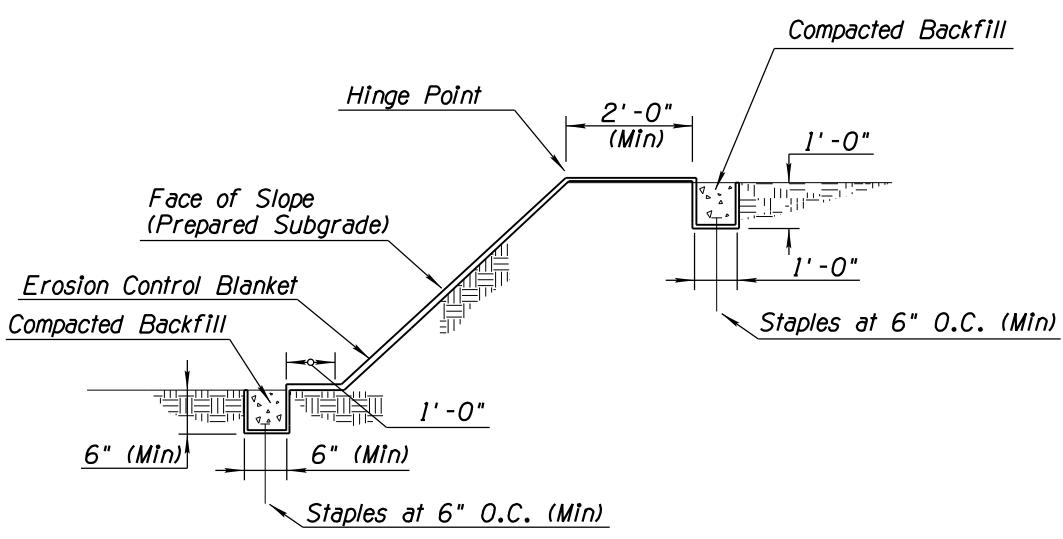


PLAN CHANNEL INSTALLATION (N.T.S.)

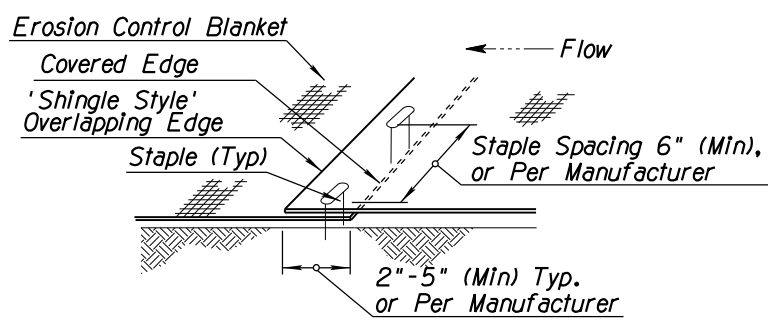
Slope Ratio/Type	Blanket Type
4:1 - 2:1	Short-Term Duration
2:1 - Steeper	Extended Term Duration
Channel Install	Extended Term Duration

NOTES:

1. Grade and compact area to receive Erosion Control Blanket as directed and approved by Engineer. Subgrade shall be uniform and smooth. Remove all rocks, clods, vegetation and other objects to ensure Erosion Control Blanket will have direct contact with soil surface.
2. If seeding and/or amendments are to be used on soil surface, prepare soil as described in Special Provisions. Apply seeding to soil surface before installing blanket. Disturbed areas shall be reseeded.
3. Excavate trenches at top and toe of slopes to bury edges of Blanket.
4. Install Blanket at the downstream end of prevailing winds, place roll end into trench and secure with stapling devices, spaced according to manufacturer's recommendations. Position adjacent rolls and secure in trench in same manner. Backfill and compact soil into trench as directed and approved by Engineer. Unroll Blanket up the slope over the compacted trench. Continue installation as described above, overlapping adjacent blanket rolls according to manufacturer's recommendations.
5. Secure Blanket using U-shaped staples, 11 ga. steel wire, 1" x 6" or 2" x 8". Install staples at the manufacturer's recommended frequency and pattern, paying close attention to slope length and grade, which may change staple spacing and frequency.
6. Staple, backfill and compact end of Blanket in trench at toe of slope.
7. Metal staples shall be driven flush to the soil surface and have sufficient ground penetration to resist pullout. Refer to Specifications.
8. Tracked equipment shall not be allowed on the Blanket.
9. Refer to Standard Specification Section 810-2.05(A) for Erosion Control Blanket material specifications.
10. Make field adjustments and corrections to ensure NO sensitive biological resources (native species / habitats) will be adversely impacted.



TRENCH AT TOE OF SLOPE



OVERLAP AT ROLL END DETAIL

Attention:
For the BMP cost effectiveness of long-term erosion/sediment control and revegetation, Class II Seeding in combination with slope roughening/tilling or mini-benching shall be preferred in lieu of Erosion Control Blanket.

DETAIL E12

EROSION CONTROL BLANKET

DESIGN	TAO ZI FONG	7-2016	ARIZONA DEPARTMENT OF TRANSPORTATION INFRASTRUCTURE DELIVERY AND OPERATIONS DIVISION ROADSIDE DEVELOPMENT SECTION
DESIGN	HAN MENG	7-2016	
DRAWN	TAO ZI FONG	7-2016	
DRAWN	HAN MENG	7-2016	
CHECKED	JOHN R. HUCKO	7-2016	
TEAM LEADER	E LEROY BRADY	7-2016	STORMWATER QUALITY PROTECTION & EROSION/SEDIMENT CONTROL DETAILS
ROUTE	MP	LOCATION	
TRACS NO.			SHEET OF
			OF

NO. 1 DESCRIPTION OF REVISION DATE MADE BY NO. 2 DESCRIPTION OF REVISION DATE MADE BY