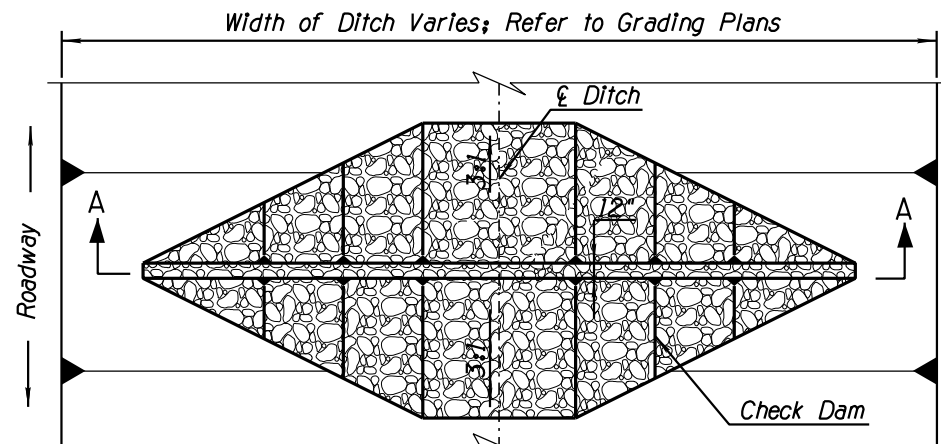
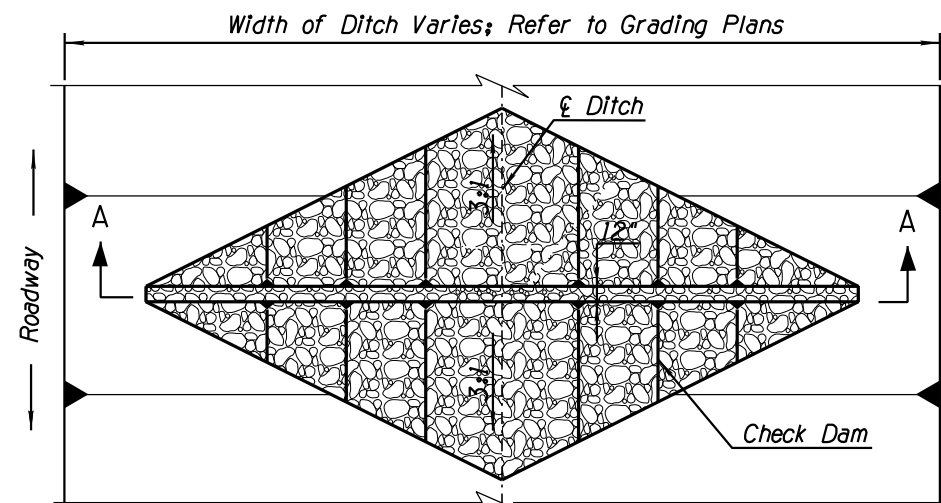


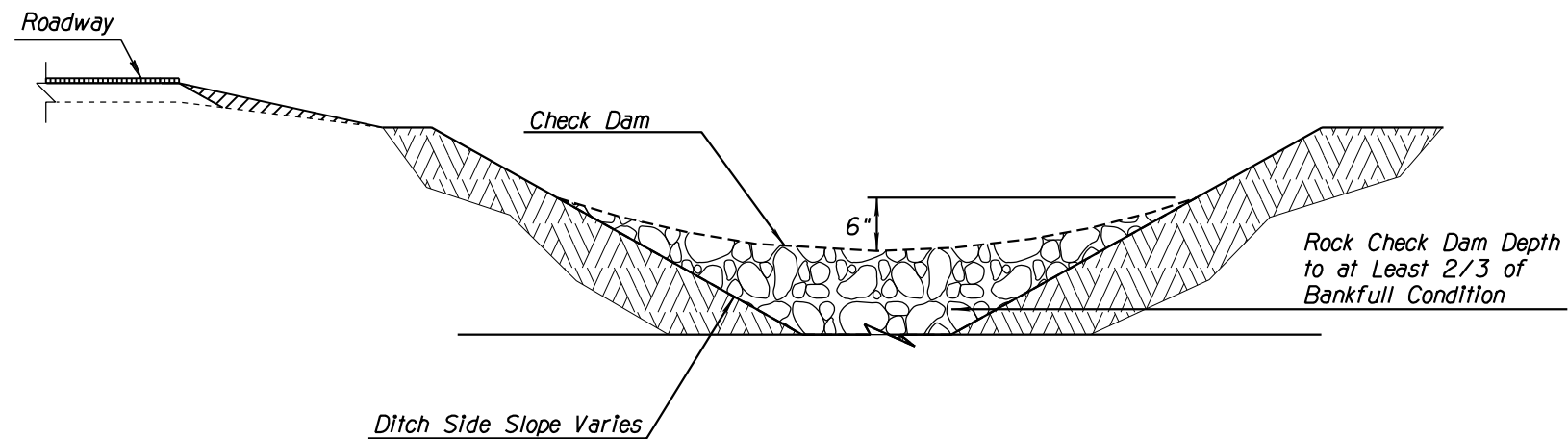
F.H.W.A. REGION	STATE	PROJECT NO.	SHEET NO.	TOTAL SHEETS	RECORD DRAWING
9	ARIZ.				



TRAPEZOIDAL DITCH PLAN (NTS)



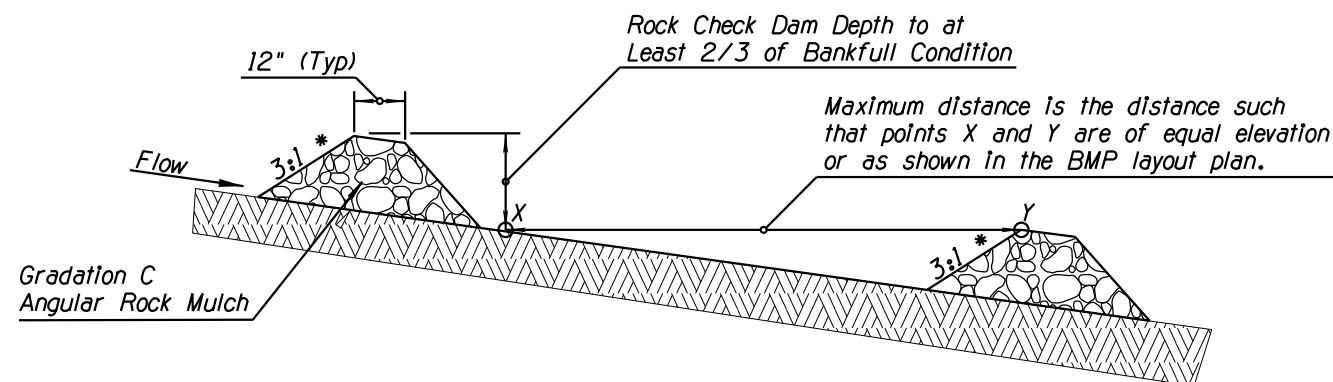
V-DITCH PLAN (NTS)



SECTION A-A
TRAPEZOIDAL- OR V-DITCH
(NTS)

NOTES:

1. Construct Rock Check Dams with angular-shaped Gradation C Rock Mulch as defined in Section 810-2.03 of the Standard Specifications and these special provisions. Natural river-run materials such as rounded river rocks/cobblestones and pebbles are NOT acceptable.
2. * Slope shall be 1(V) : 6(H) or flatter if Check Dam is within the traffic clear zone/recovery areas as defined in ADOT Roadway Design Guidelines (303.2 to 303.3 Roadside Recovery Area).
3. Make field adjustments of sizing and spacing of Rock Check Dams as necessary for traffic safety as well as proper functioning of the drainage facilities.
4. Flatten and re-grade Rock Check Dams to the finished grade, level within the ditch, as soon as practicable after Final Stabilization.
5. Make field adjustments and corrections of Rock Check Dam BMP immediately if it is causing flooding, erosion, and/or affecting roadway safety.
6. Make field adjustments to ensure the top of the Rock Check Dam is approximately 2/3 height of the estimated ditch bankfull level.
7. When paid separately, the Rock Check Dam BMP pay/bid item shall include all materials used for this BMP: all ground preparation, furnishing, installing, maintenance, flattening/grading back to the finished grade, as well as returning the area to an acceptable condition as approved by the Engineer.
8. Make field adjustments and corrections to ensure NO sensitive biological resources (native species / habitats) will be adversely impacted.



ELEVATION ALONG DITCH SLOPE
(NTS)

DETAILS10

ROCK CHECK DAM

DESIGN	NAME	DATE	ARIZONA DEPARTMENT OF TRANSPORTATION INFRASTRUCTURE DELIVERY AND OPERATIONS DIVISION ROADSIDE DEVELOPMENT SECTION
DESIGN	TAO ZI FONG	7-2016	
DESIGN	HAN MENG	7-2016	
DRAWN	TAO ZI FONG	7-2016	STORMWATER QUALITY PROTECTION & EROSION/SEDIMENT CONTROL DETAILS
DRAWN	HAN MENG	7-2016	
CHECKED	JOHN R. HUCKO	7-2016	
TEAM LEADER	E LEROY BRADY	7-2016	
ROUTE	LOCATION		SHEET OF
TRACS NO.			OF

NO. 1 DESCRIPTION OF REVISION DATE MADE BY NO. 2 DESCRIPTION OF REVISION DATE MADE BY