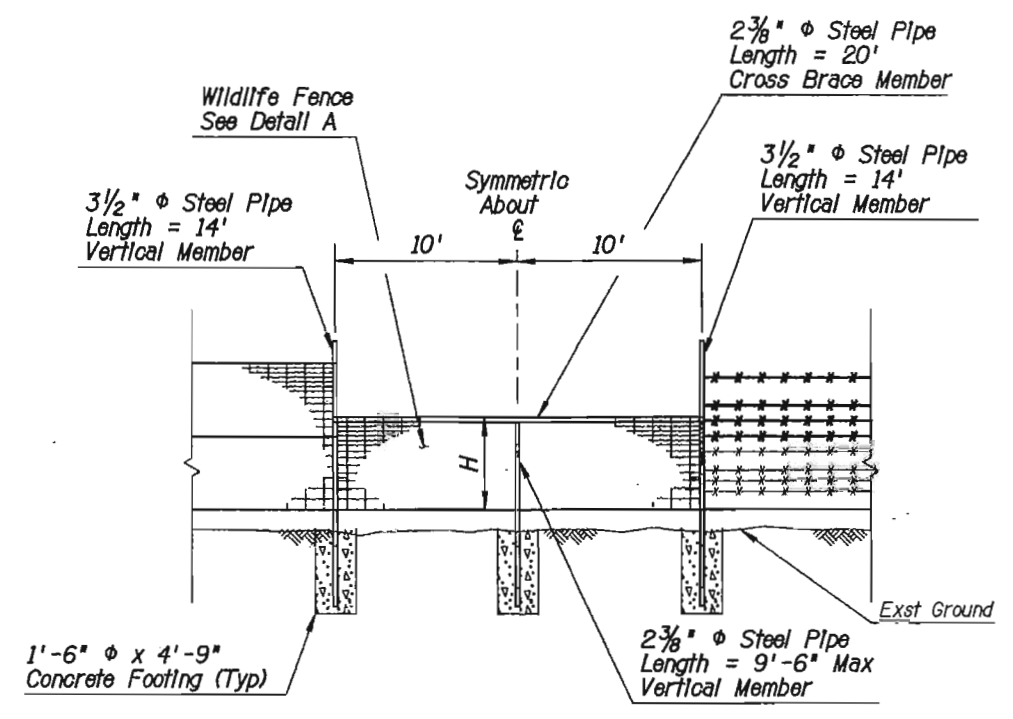
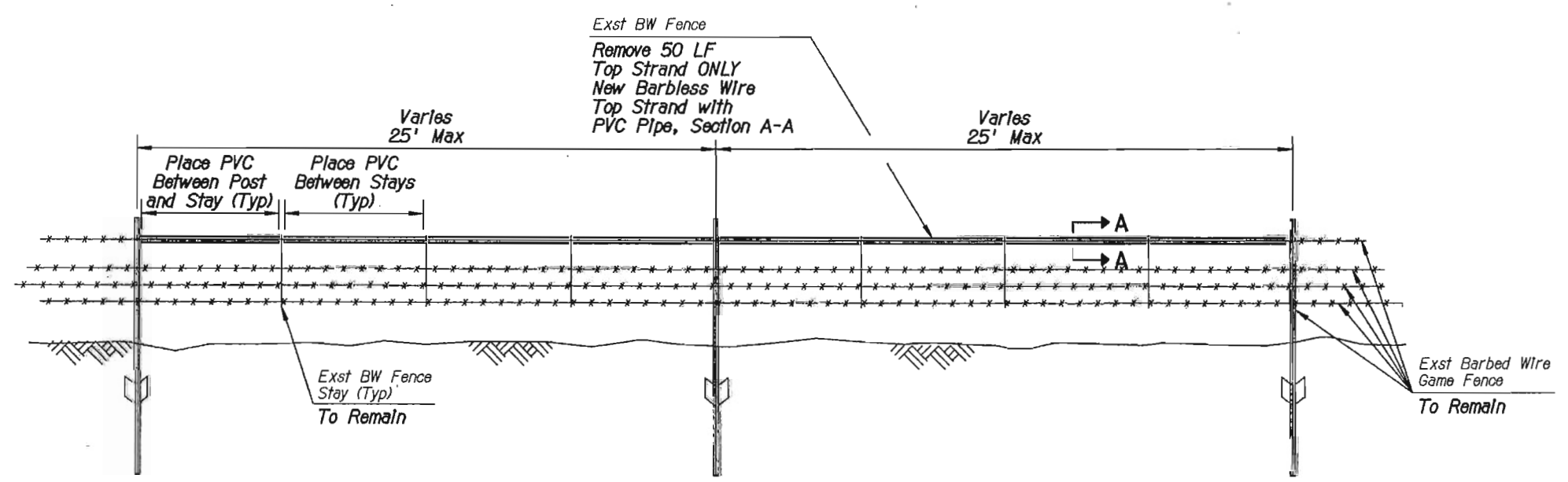


F.H.W.A. REGION	STATE	PROJECT NO.	SHEET NO.	TOTAL SHEETS	AS BUILT
9	ARIZ.	260-B(008)A	14	32	
260 GI 260					



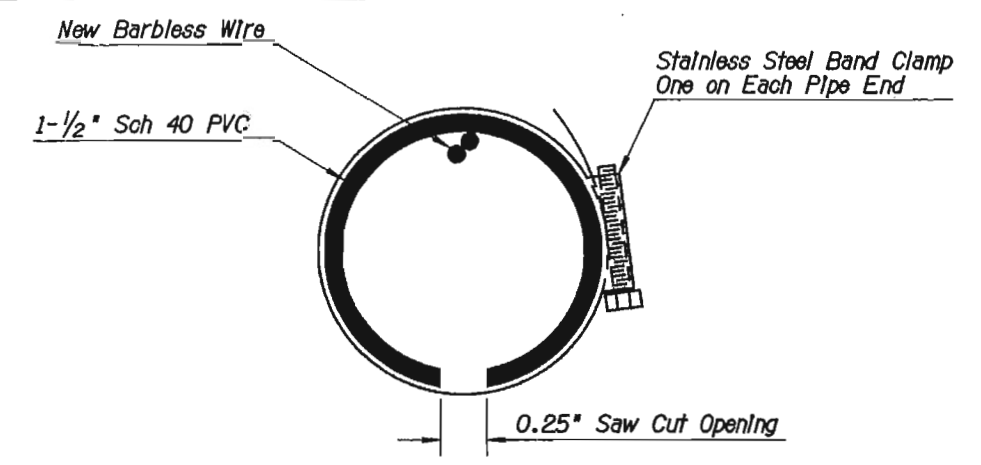
NOTES:
 1. Height "H" varies by location. See plan sheets.

WILDLIFE JUMP OPENING



TYPICAL PVC FENCE PROTECTION INSTALLATION

NOTES:
 1. The new barbless wire shall be installed and tensioned before the existing barbed wire is removed.
 2. The existing barbed wire and the new barbless wire shall be wrapped at the end points to maintain the structural integrity of the fence.
 3. Minor adjustment to the location of the fence stays may be made.



SECTION A-A

DETAIL H
 PVC FENCE PROTECTION

DESIGN	MAC	DATE	04-05	ARIZONA DEPARTMENT OF TRANSPORTATION INTERMODAL TRANSPORTATION DIVISION	PRELIMINARY 95% Review NOT FOR CONSTRUCTION OR RECORDING
DRAWN	HN	DATE	04-05		
CHECKED	KJR	DATE	04-05		
AZTEC		451 E. McDowell Road Phoenix, AZ 85006-1505 Tel: 602.454-0402 Fax: 602.454-0403 www.azteconline.com		DETAIL SHEET DETAILS G & H	
ROUTE	SR 260	LOCATION	MP 260-263 Wildlife Fencing		
TRACS NO.	H6611 01 C		260-B(008)A	SHEET 1 OF 1 OF	