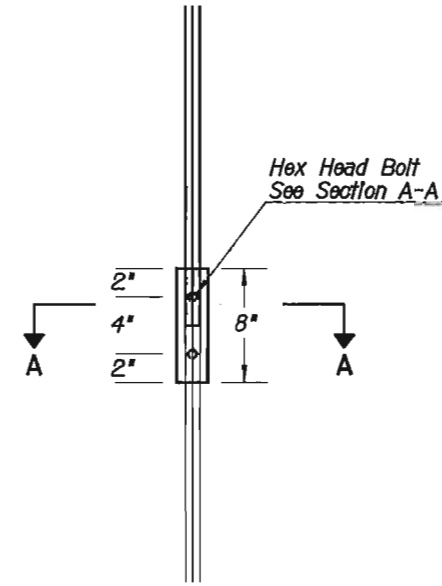


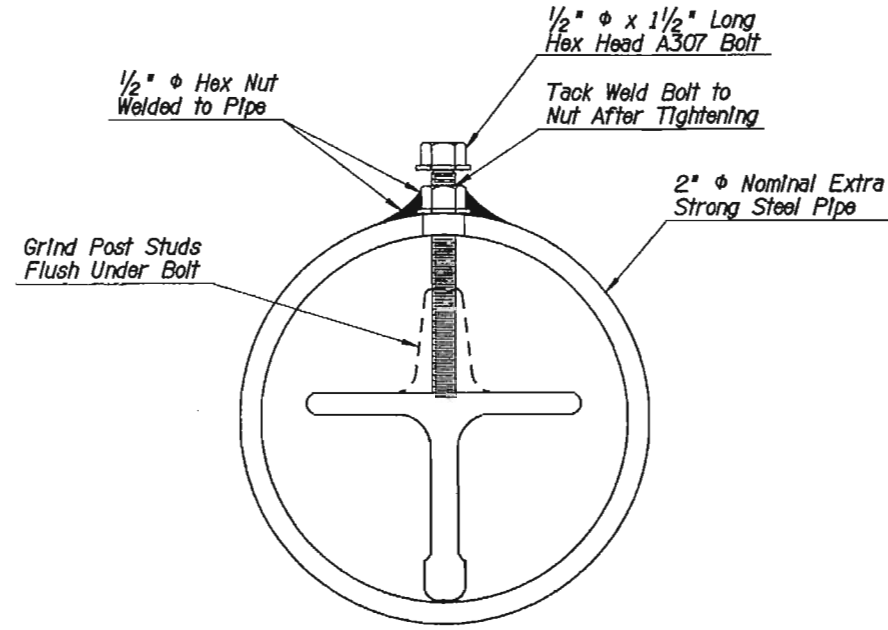
COUNTY-REGION	STATE	PROJECT NO.	SHEET NO.	TOTAL SHEETS	AS BUILT
9	ARIZ.	260-B(008)A	11	32	

260 GI 260

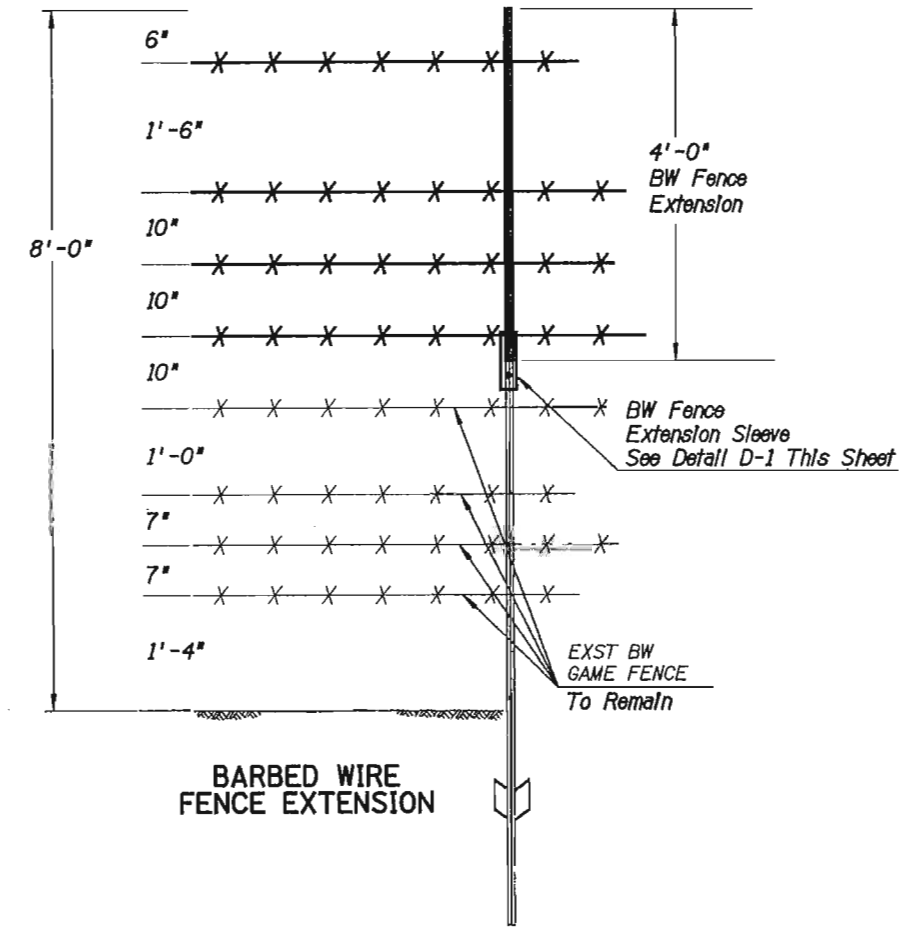
NO.	DATE	DESCRIPTION OF REVISIONS



DETAIL D-1
BW FENCE
EXTENSION SLEEVE



SECTION A-A
No Scale
**BW FENCE EXTENSION
SLEEVE CROSS SECTION**



**BARBED WIRE
FENCE EXTENSION**

DETAIL D

BW FENCE EXTENSION

FINISHED PLANS
 REVISIONS
 LOCATION
 DATE
 SURVEY NO.

DESIGN	MAC	DATE	04-05	ARIZONA DEPARTMENT OF TRANSPORTATION INTERMODAL TRANSPORTATION DIVISION	PRELIMINARY 95% Review NOT FOR CONSTRUCTION OR RECORDING
DRAWN	HN	DATE	04-05		
CHECKED	KJR	DATE	04-05		
AZTEC		451 E. McDowell Road Phoenix, AZ 85006-4505 Tel: 602-494-0402 Fax: 602-494-0493 www.azteccorp.com		DETAIL SHEET DETAIL D	
ROUTE	SR 260	LOCATION	MP 260-263 Wildlife Fencing		
TRACS NO. H6611 01 C		260-B(008)A		OF	