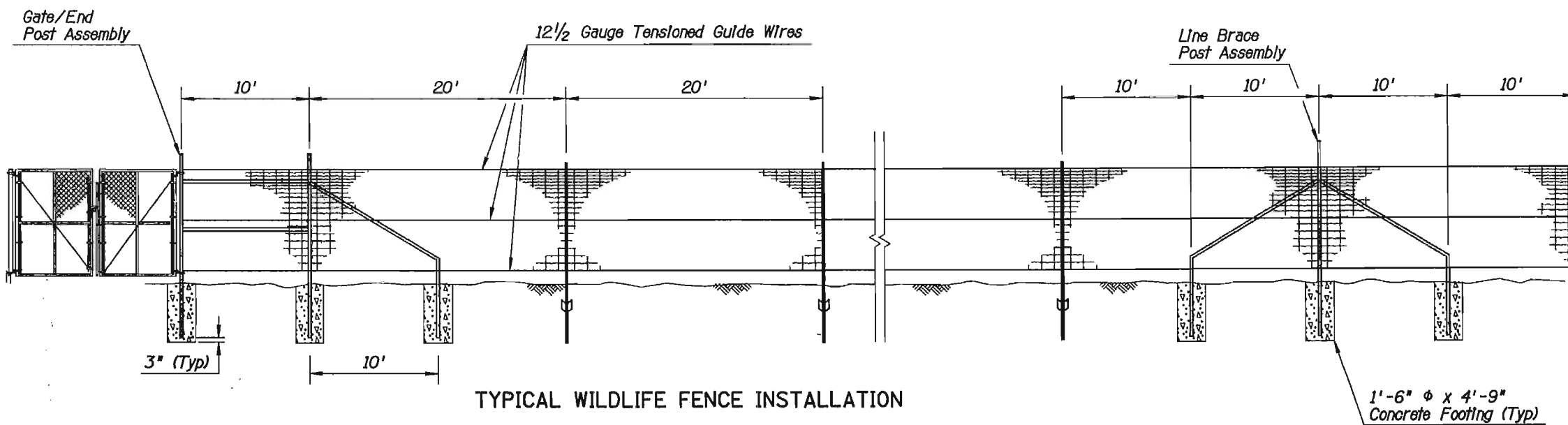
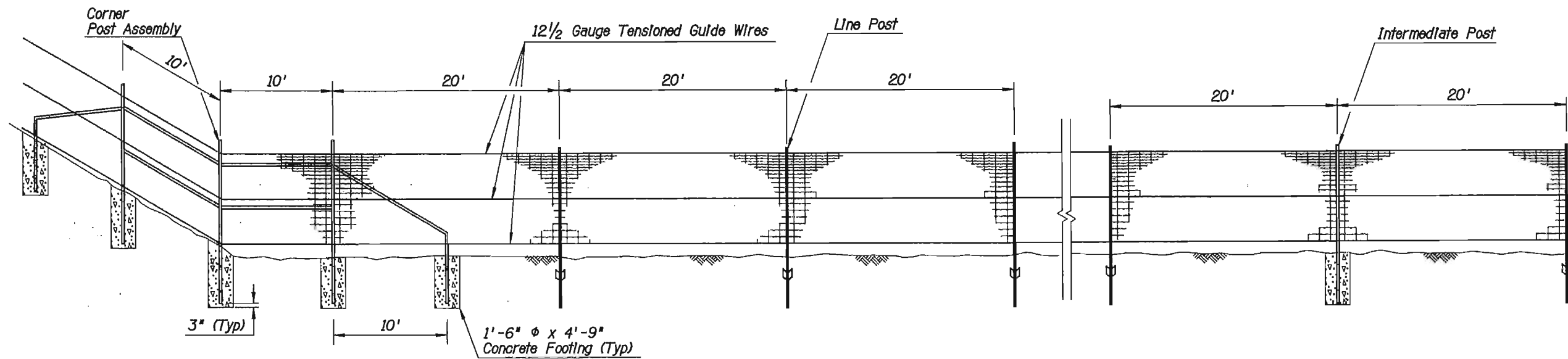


F.H.W.A. REGION	STATE	PROJECT NO.	SHEET NO.	TOTAL SHEETS	AS BUILT
9	ARIZ.	260-B(008)A	3	32	

260 GI 260



TYPICAL WILDLIFE FENCE INSTALLATION

NOTES

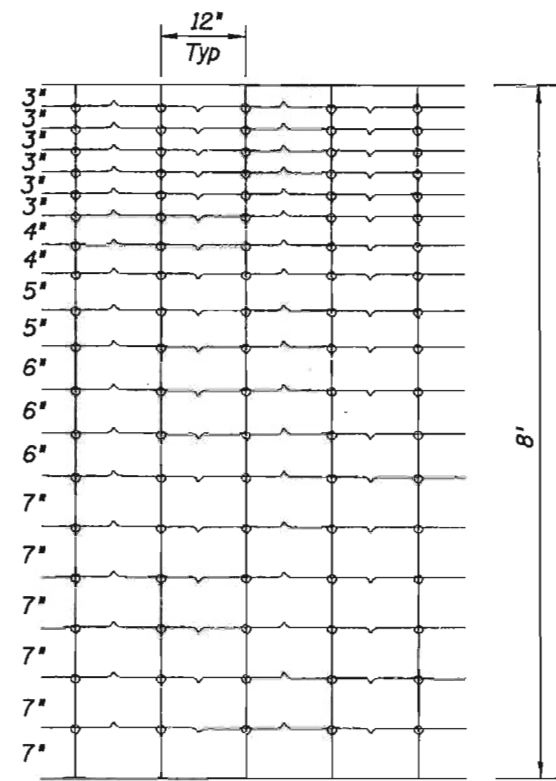
1. The fence fabric shall consist of 12 1/2 gauge, twisted or tied (not welded), galvanized wire. Line wires shall be high tensile and stay wires shall be medium tensile.
2. The gap between the bottom of the fence and the ground shall not exceed 4 inches.
3. Intermediate posts shall be placed at the low point of a dip and at the crown of a hump. The maximum spacing between intermediate posts shall not exceed 120 feet.
4. Line brace post assemblies shall be placed at dramatic changes (where grade changes exceed 15%) in the topography. The maximum spacing between line braces shall not exceed 1320 feet.
5. Tensioned guide wires shall be tied off at both ends of the fence then tensioned in the middle of the pull.
6. General fence installation shall adhere to the guidelines written by the fencing manufacturer.
7. Concrete footings shall have tops crowned at ground level.
8. Concrete footings shall have 3" clear from bottom of post to bottom of footing.

**DETAIL B**  
WILDLIFE FENCE  
SHEET 1 OF 2

DESIGN	MAC	DATE	04-05	ARIZONA DEPARTMENT OF TRANSPORTATION INTERMODAL TRANSPORTATION DIVISION	PRELIMINARY <b>95%</b> Review NOT FOR CONSTRUCTION OR RECORDING
DRAWN	HN	DATE	04-05		
CHECKED	KJR	DATE	04-05		
AZTEC		451 E. McDowell Road Phoenix, AZ 85008-4505 Tel (602) 454-0400 Fax (602) 454-0403 www.aztecus.com		DETAIL SHEET DETAIL B	
ROUTE	SR 260	LOCATION	MP 260-263 Wildlife Fencing		
TRACS NO. H6611 01 C			260-B(008)A		SHEET 1 OF 2 OF

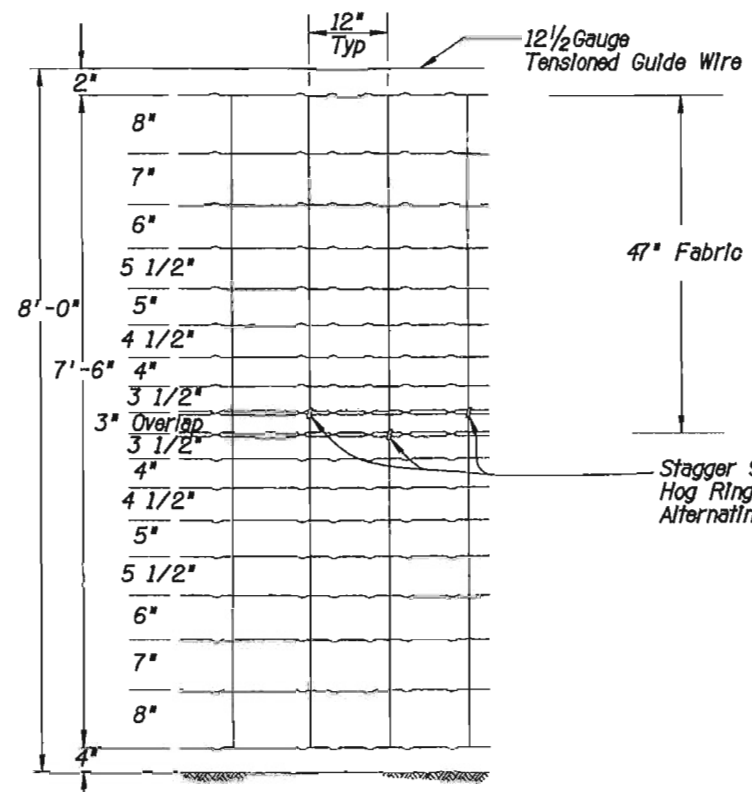
F.H.W.A. REGION	STATE	PROJECT NO.	SHEET NO.	TOTAL SHEETS	AS BUILT
9	ARIZ.	260-B(008)A	4	32	

260 GI 260

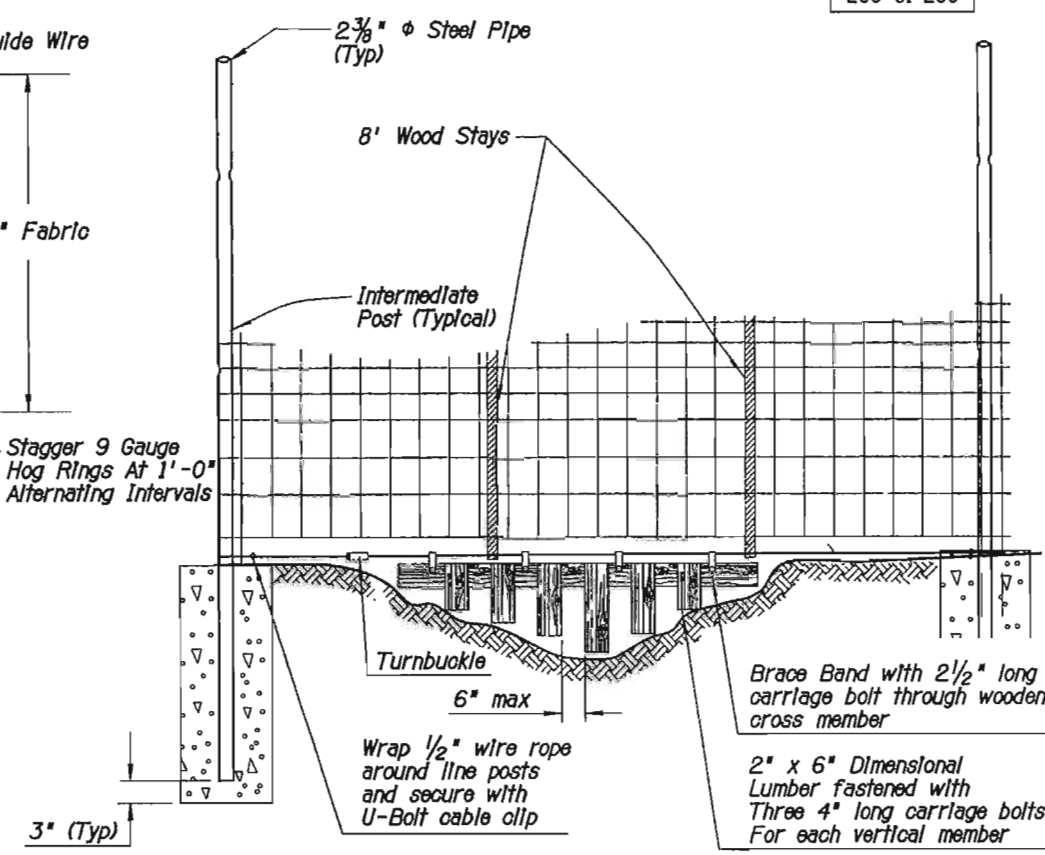


Dimensions between horizontal wires may vary  $\pm 1/2$ ".

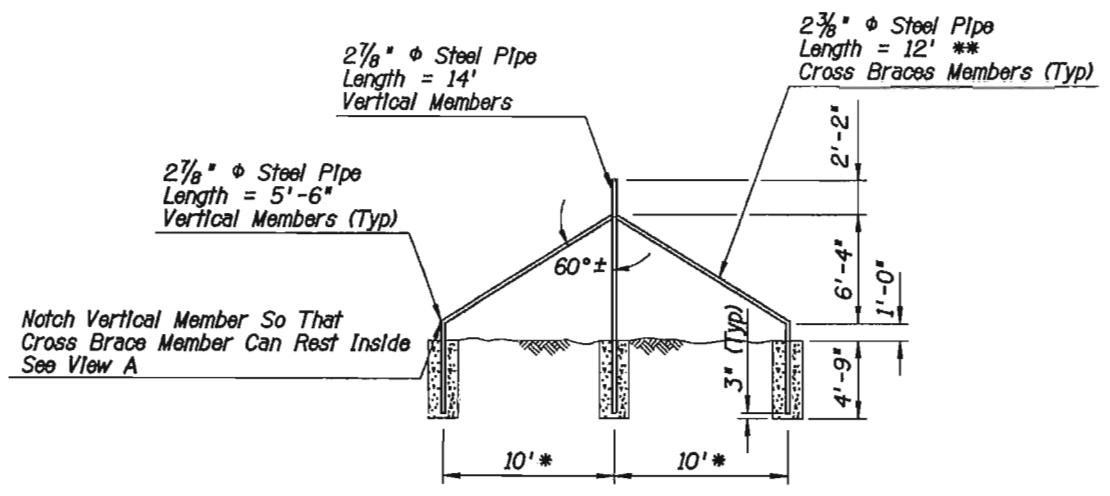
FENCE FABRIC



LAPPED FENCE FABRIC OPTION

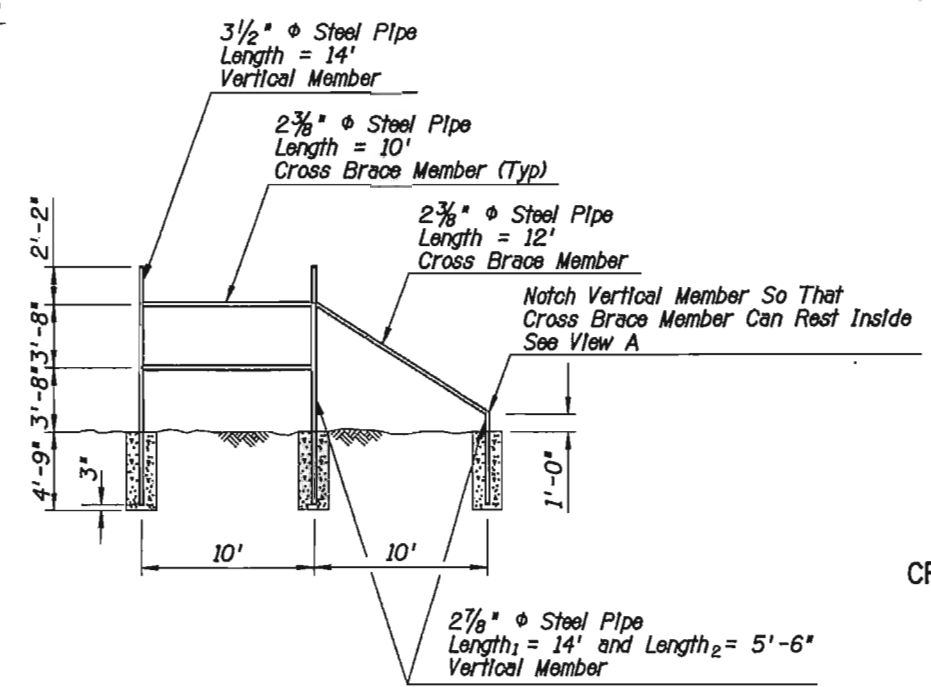


GAP CLOSURE

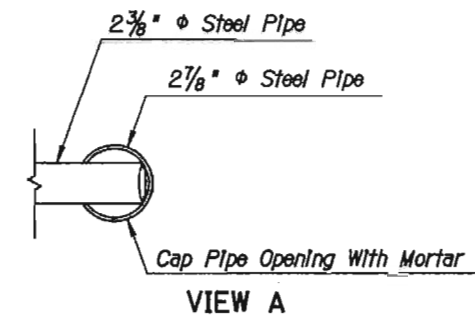


\* Width may vary between 6' and 10' depending on terrain.  
 \*\* Length may vary between 9' and 12' depending on terrain.

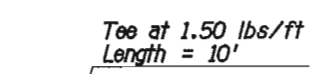
LINE BRACE ASSEMBLY



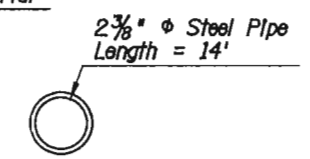
GATE/END POST ASSEMBLY & CORNER POST ASSEMBLY



VIEW A



LINE POST CROSS SECTION



INTERMEDIATE POST CROSS SECTION

# DETAIL B

WILDLIFE FENCE  
SHEET 2 OF 2

NOTES:

- Weld solid all connections of vertical and cross brace members. The weld shall be ground flush inspected for voids and painted with primer or rust preventative. All freshly ground welds shall be painted or treated by the end of the work shift.
- Cap all pipes with pressed steel caps.

DESIGN	NAME	DATE	ARIZONA DEPARTMENT OF TRANSPORTATION INTERMODAL TRANSPORTATION DIVISION	PRELIMINARY <b>95%</b> Review NOT FOR CONSTRUCTION OR RECORDING
DRAWN	MAC	04-05		
CHECKED	HN	04-05		
			DETAIL SHEET DETAIL B	SHEET 2 OF 2
ROUTE	LOCATION	MP 260-263 Wildlife Fencing		TRACS NO. H6611 01 C
		260-B(008)A		OF

SURVEY NO. FINISHED PLANS LOCATION DATE REVISIONS