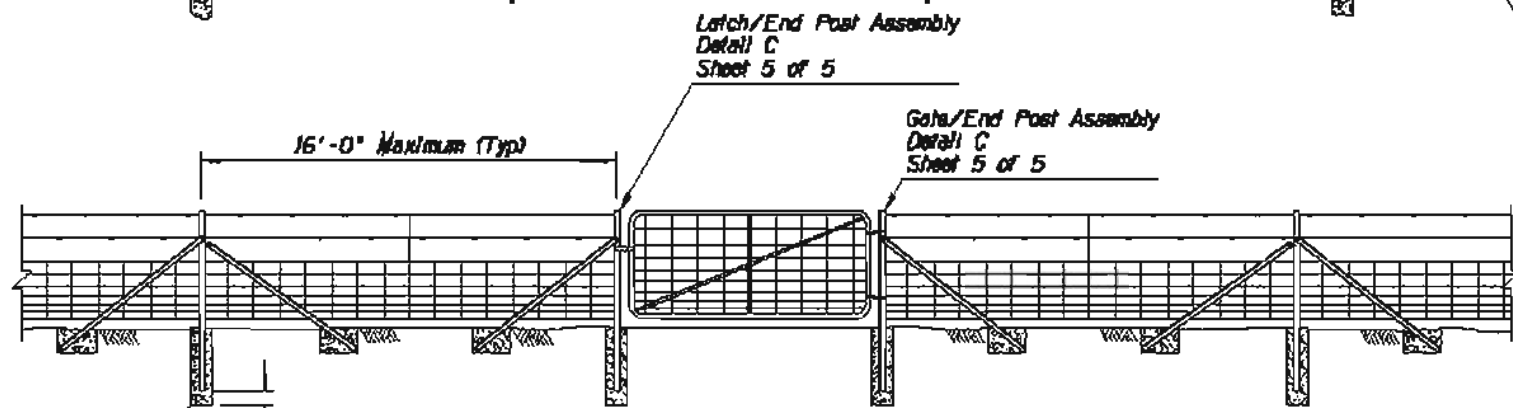
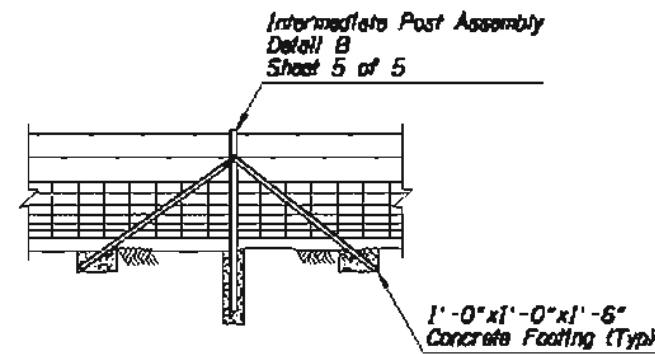
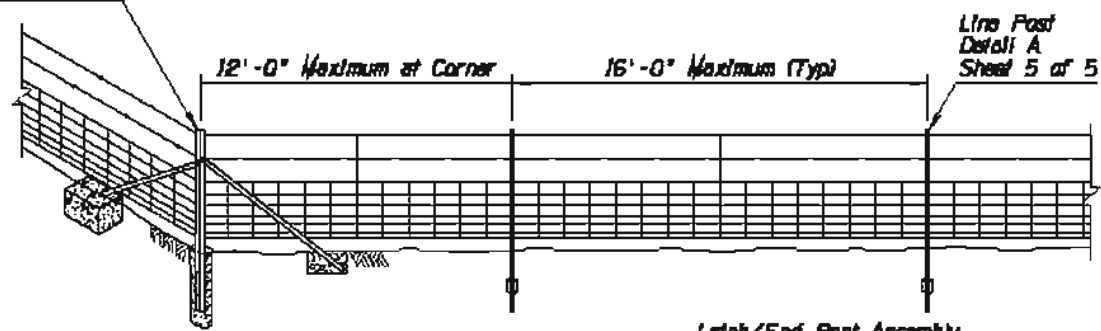


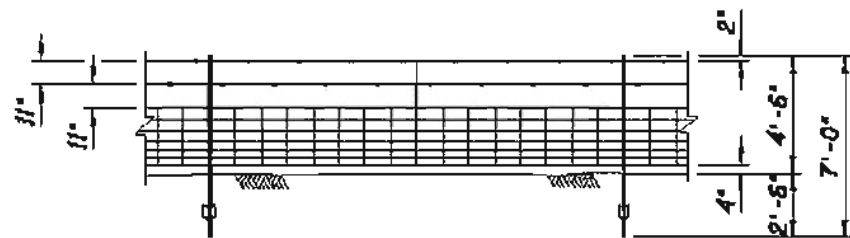
ID	DESCRIPTION OF REVISIONS	MADE BY	DATE
1	ADDED ASTM CALLOUT	PHB	7/99
2			
3			
4			

Corner Post Assembly
Detail D
Sheet 5 of 5

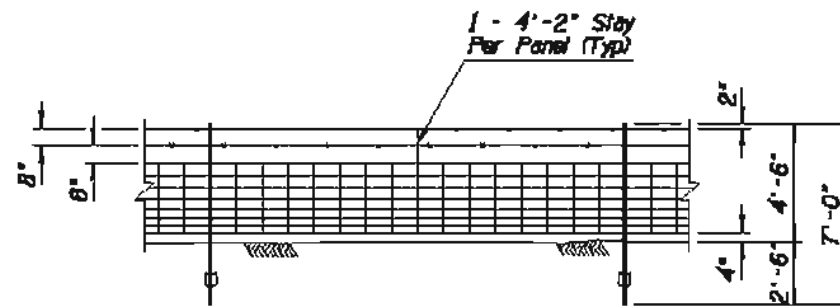


10" Diameter x 3'-0"
Concrete Footing (Typ)

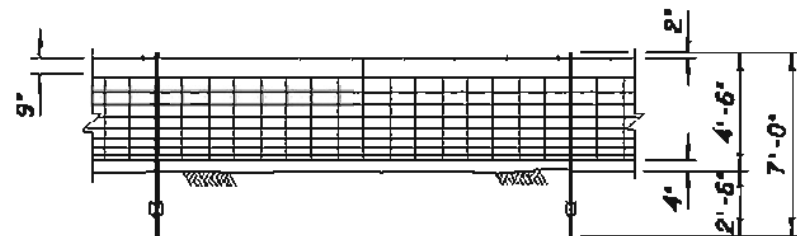
TYPICAL WOVEN WIRE FENCE INSTALLATION-TYPE 1 WW SHOWN



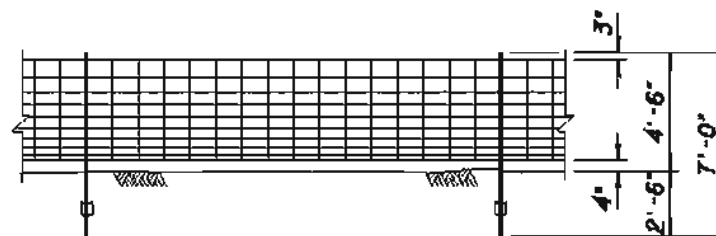
TYPE 1 WOVEN WIRE (WW)



TYPE 2 WOVEN WIRE (WW)



TYPE 3 WOVEN WIRE (WW)

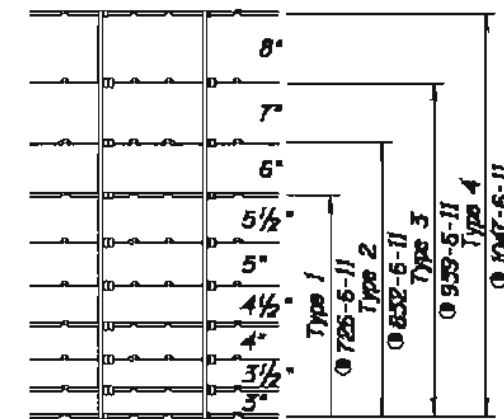


TYPE 4 WOVEN WIRE (WW)

GENERAL NOTES

1. Length of post and braces shall not be less than 7'-0".
2. Woven wire fence fabric shall be attached to the post at the top, bottom, and intermediate wires.
3. Intermediate Post Assemblies shall be located as shown and at intervals to utilize standard rolls to minimize cutting and waste.
4. A twisted wire stay shall be centered between posts.

① ○ ASTM design number



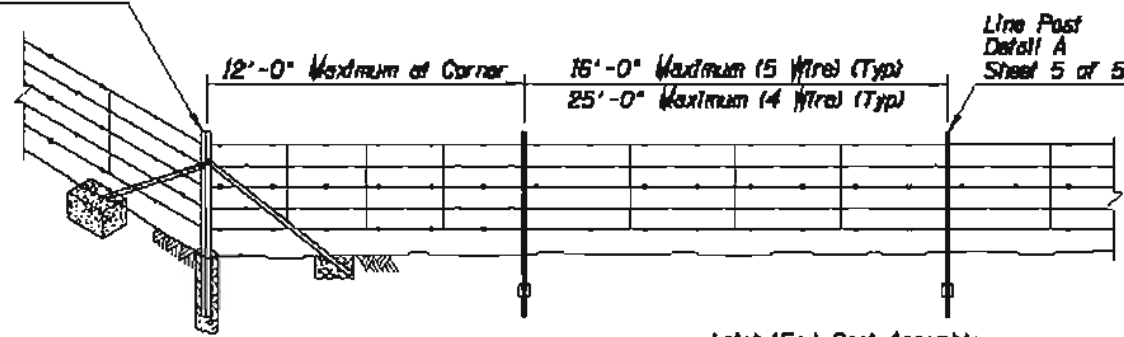
FENCE FABRIC DIMENSIONS AND DESIGN NUMBERS

DETAIL A

APPROVED FOR DESIGN <i>Mary Vignola</i>	STATE OF ARIZONA DEPARTMENT OF TRANSPORTATION ROADWAY STANDARD DRAWINGS	REV. 5/07
APPROVED FOR DISTRIBUTION <i>[Signature]</i>	FENCE WOVEN WIRE	DRAWING NO. C-12.10 Sheet 1 of 5

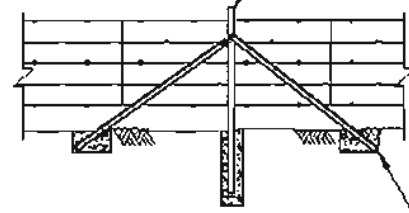
NO.	DESCRIPTION OF REVISIONS	MADE BY	DATE
1	RESUBMITTED STD DWG	PNB	7/04
2	REVISED GENERAL NOTE 1	RLF	7/05
3			
4			

Corner Post Assembly
Detail D
Sheet 5 of 5



Line Post
Detail A
Sheet 5 of 5

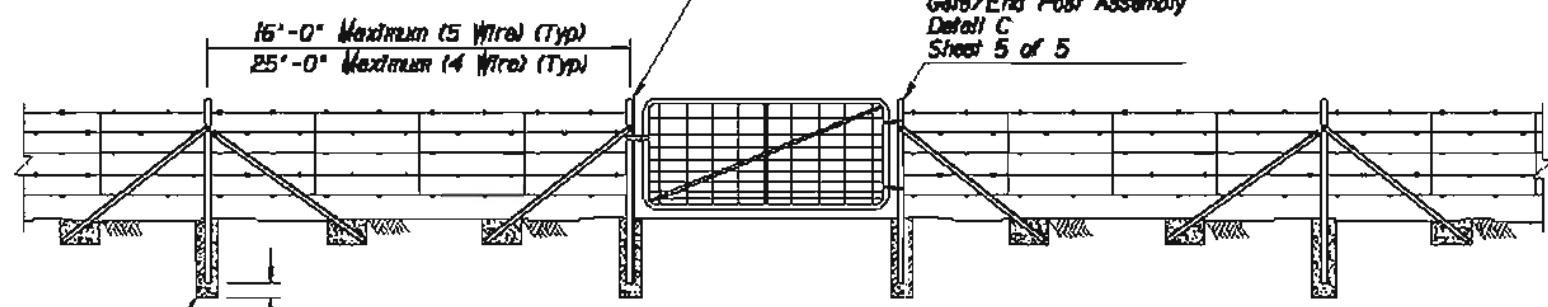
Intermediate Post Assembly
Detail B
Sheet 5 of 5



1'-0" x 1'-0" x 1'-6"
Concrete Footing (Typ)

Latch/End Post Assembly
Detail C
Sheet 5 of 5

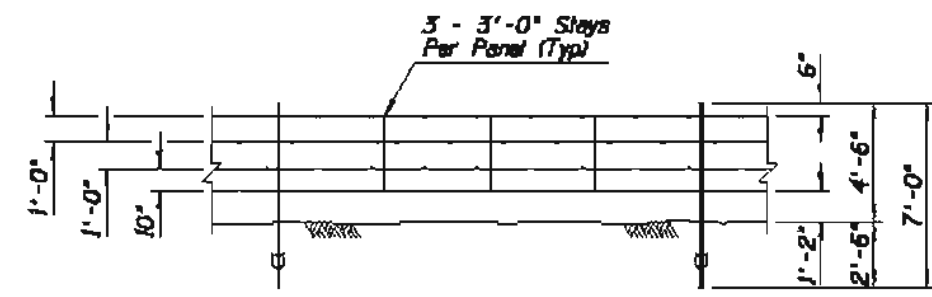
Gate/End Post Assembly
Detail C
Sheet 5 of 5



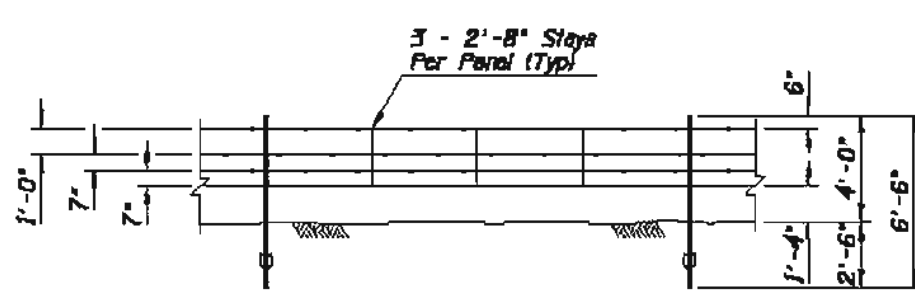
10" Diameter x 3'-0"
Concrete Footing (Typ)

6" TYP

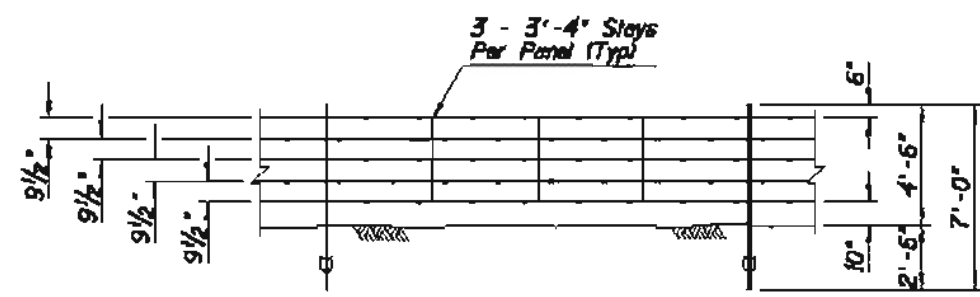
TYPICAL BARBED WIRE FENCE INSTALLATION-TYPE 2 BW SHOWN



TYPE 1 BARBED WIRE (BW) (4 WIRE)



BARBED WIRE GAME FENCE (GF)



TYPE 2 BARBED WIRE (BW) (5 WIRE)

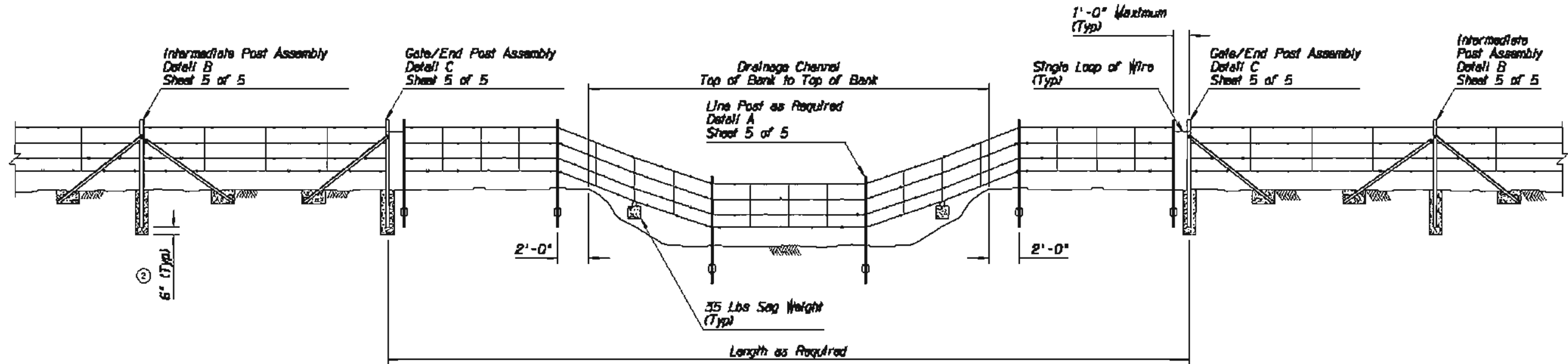
GENERAL NOTES

1. Intermediate Post Assemblies shall be located as shown and at intervals not to exceed 650', or midway between all braced posts.
2. For game fence the bottom wire shall be barbless.
3. The stays on game fence shall have their ends turned up to prevent injuries to game.

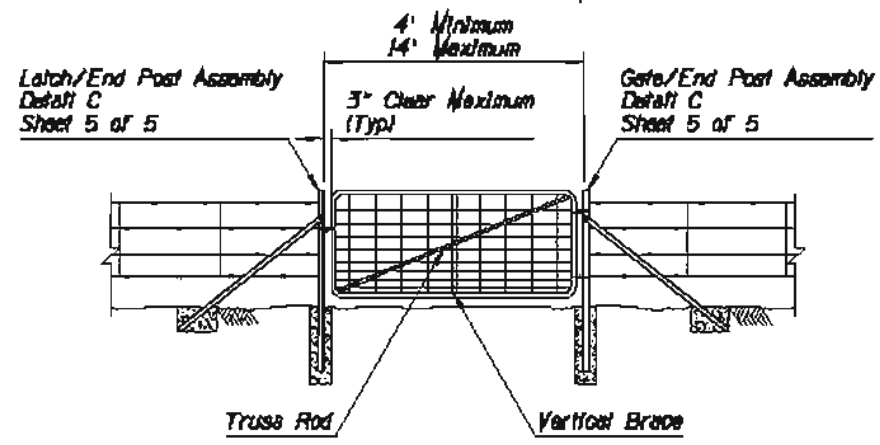
DETAIL A

APPROVED FOR DESIGN <i>May Upavia</i>	STATE OF ARIZONA DEPARTMENT OF TRANSPORTATION ROADWAY STANDARD DRAWINGS	REV. 5/07
APPROVED FOR DISTRIBUTION <i>J.P. Smith</i>	① FENCE BARBED WIRE	DRAWING NO. C-12.10 Sheet 2 of 5

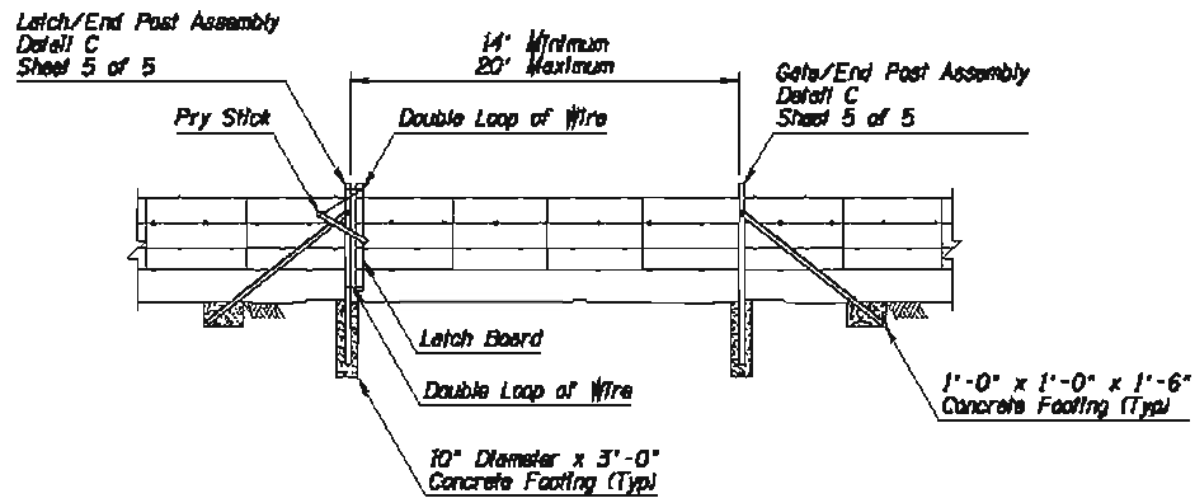
NO.	DESCRIPTION OF REVISIONS	MADE BY	DATE
1	REISSUED STD DWG	PHB	7/94
2	ADDED DIMENSION	RLF	9/04
3			
4			



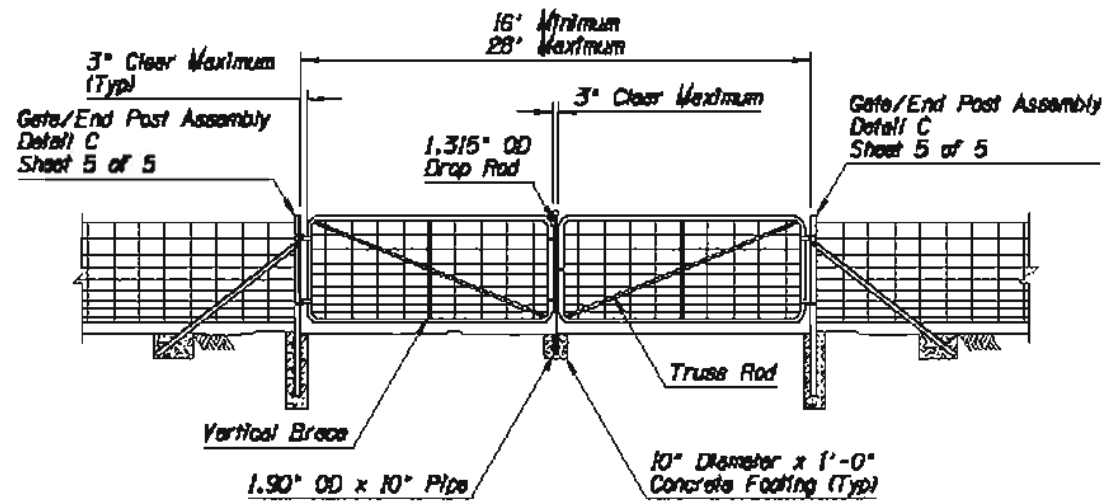
FLOOD GATE



TYPE 1 SINGLE GATE



TYPE 2 GATE

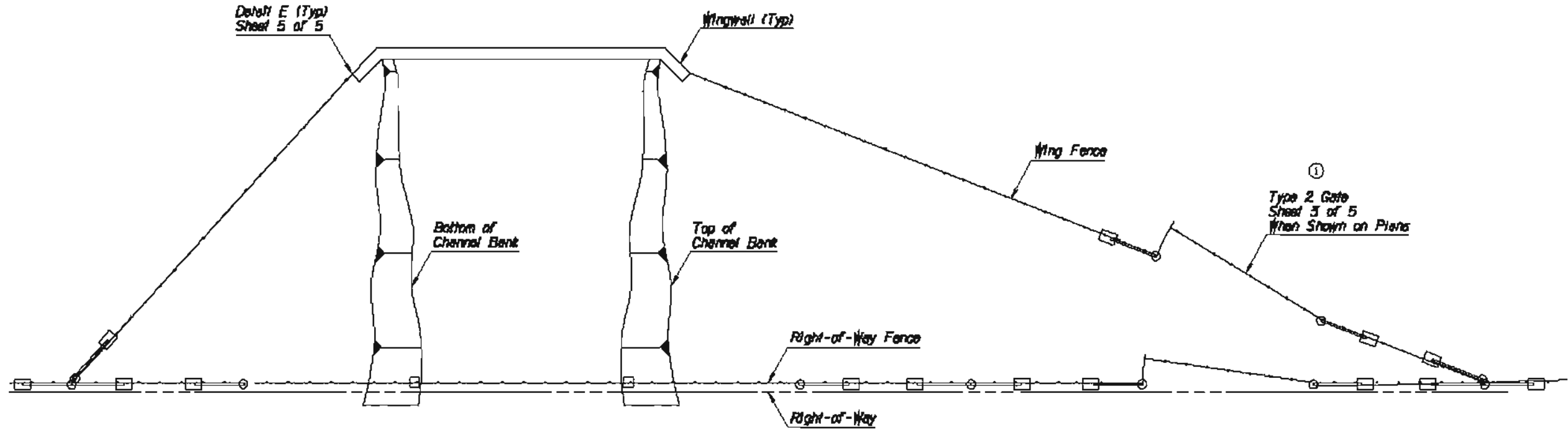


TYPE 1 DOUBLE GATE

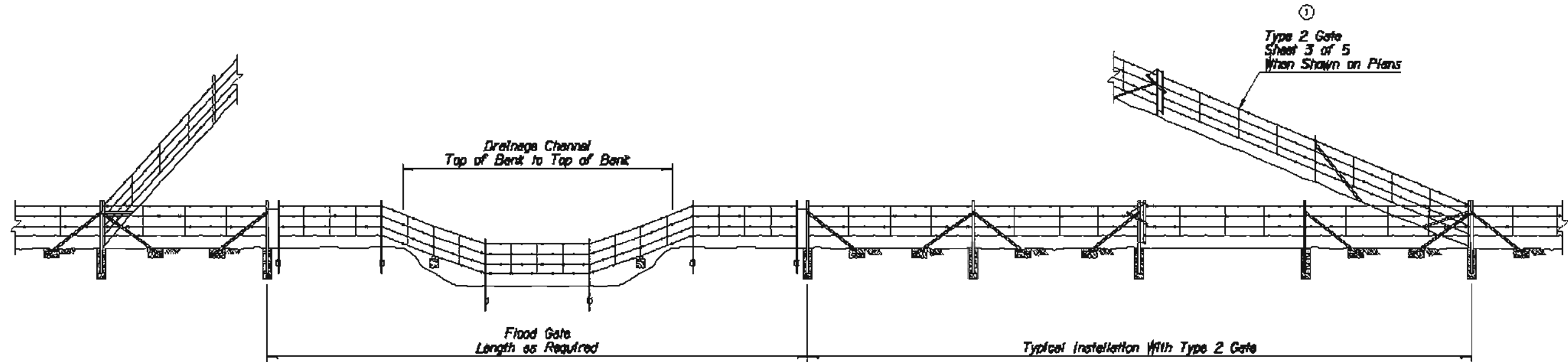
DETAIL A

APPROVED FOR DESIGN <i>Mary V. Pavia</i>	STATE OF ARIZONA DEPARTMENT OF TRANSPORTATION ROADWAY STANDARD DRAWINGS	REV. 5/07
APPROVED FOR DISTRIBUTION <i>J. D. [Signature]</i>	① FENCE TYPE 1 AND 2 GATES FLOOD GATE	DRAWING NO. C-12.10 Sheet 3 of 5

NO.	DESCRIPTION OF REVISIONS	MADE BY	DATE
1	ADDED TYPE 2 GATE	RLF	9/04
2			
3			
4			



PLAN



ELEVATION
TYPICAL FLOOD GATE INSTALLATION

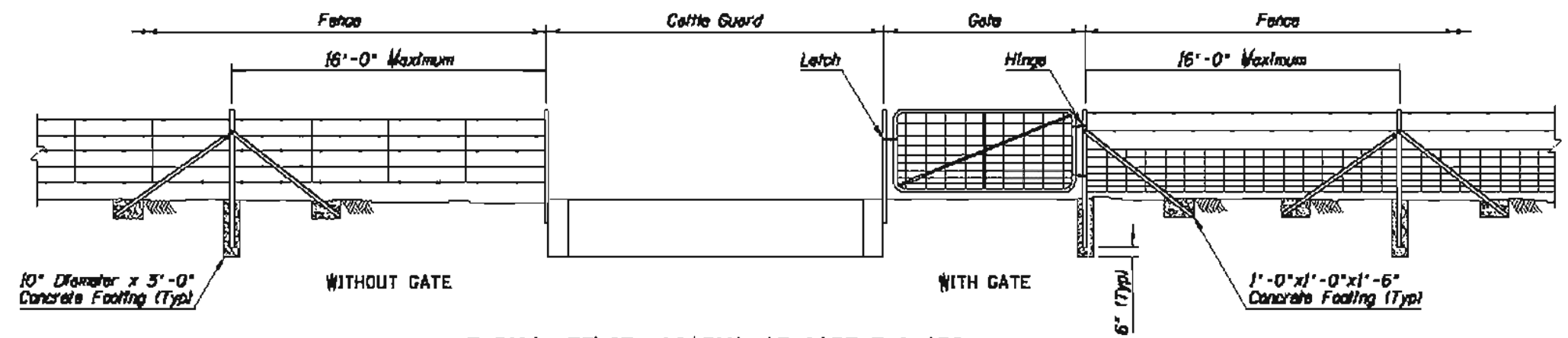
DETAIL A

APPROVED FOR DESIGN <i>Mary Virginia</i>	STATE OF ARIZONA DEPARTMENT OF TRANSPORTATION ROADWAY STANDARD DRAWINGS	REV. 5/07
APPROVED FOR DISTRIBUTION <i>[Signature]</i>	FENCE FLOOD GATE INSTALLATION	DRAWING NO. C-12.10 Sheet 4 of 5

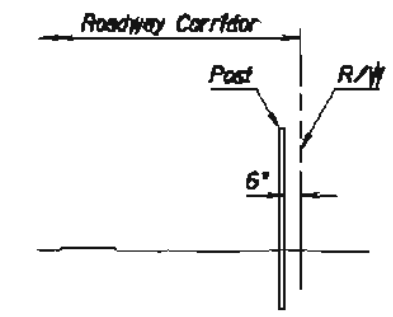
ID	DESCRIPTION OF REVISIONS	MADE BY	DATE
1	REISSUE STD	PNS	7/94
2			
3			
4			

GENERAL NOTES

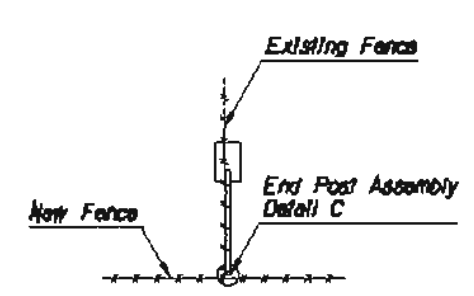
1. Post assemblies shall consist of an upright angle $2\frac{1}{2} \times 2\frac{1}{2} \times \frac{1}{4}$ of 4.10 lbs/ft, and brace angles $2 \times 2 \times \frac{1}{4}$ of 3.19 lbs/ft.



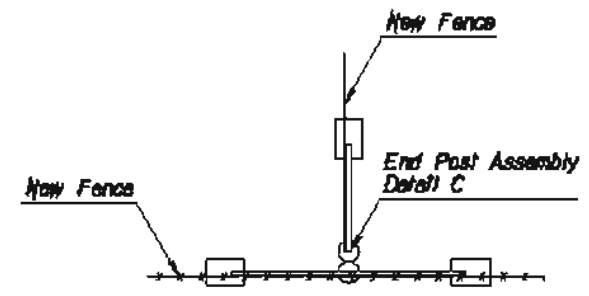
TYPICAL FENCE LOCATION AT CATTLE GUARD



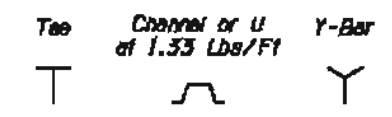
TYPICAL FENCE LOCATION



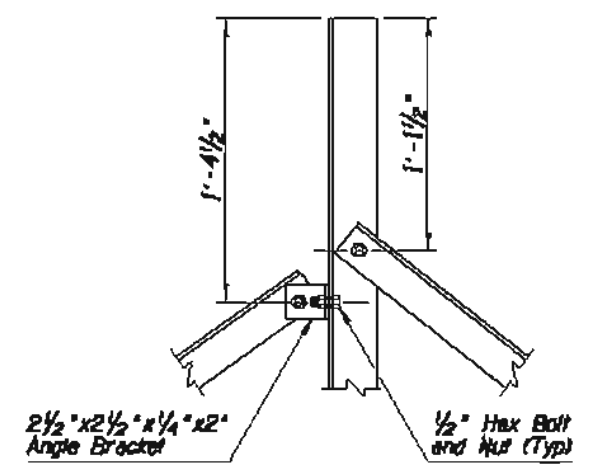
ABUTTING FENCE



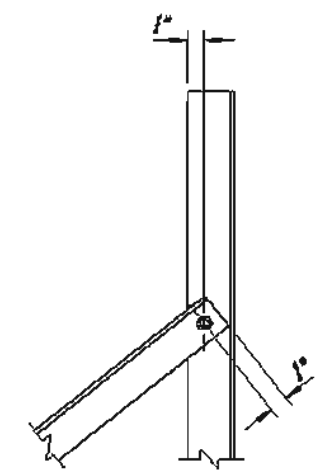
ABUTTING FENCE AT POST



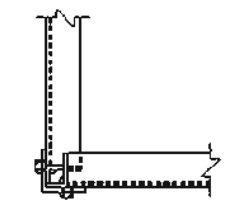
DETAIL A
TYPICAL CROSS SECTIONS OF LINE POST SHAPES



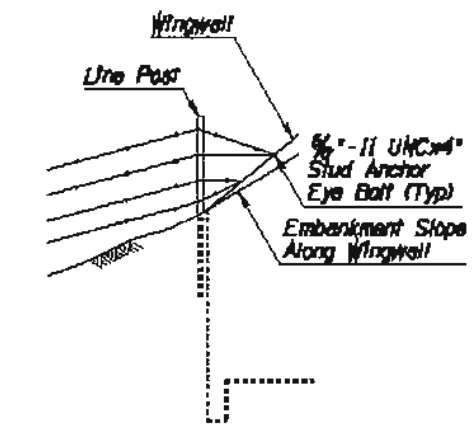
DETAIL B
INTERMEDIATE POST ASSEMBLY



DETAIL C
END POST ASSEMBLY



DETAIL D
CORNER POST ASSEMBLY



DETAIL E
FENCE CONNECTION TO WINGWALL

DETAIL A

APPROVED FOR DESIGN <i>Mary V. Pava</i>	STATE OF ARIZONA DEPARTMENT OF TRANSPORTATION ROADWAY STANDARD DRAWINGS	REV. 5/07
APPROVED FOR DISTRIBUTION <i>[Signature]</i>	① FENCE MISCELLANEOUS DETAILS	DRAWING NO. C-12.10 Sheet 5 of 6