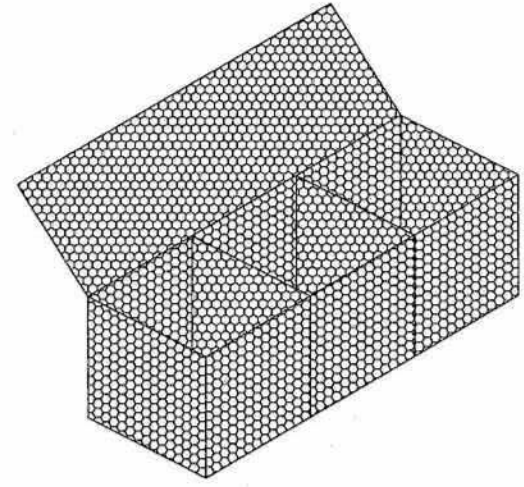
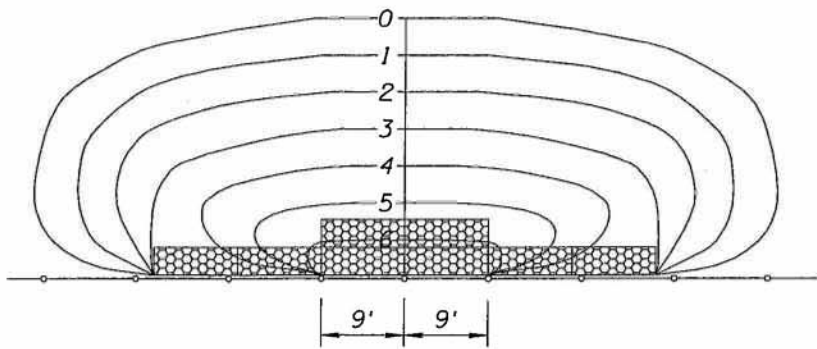
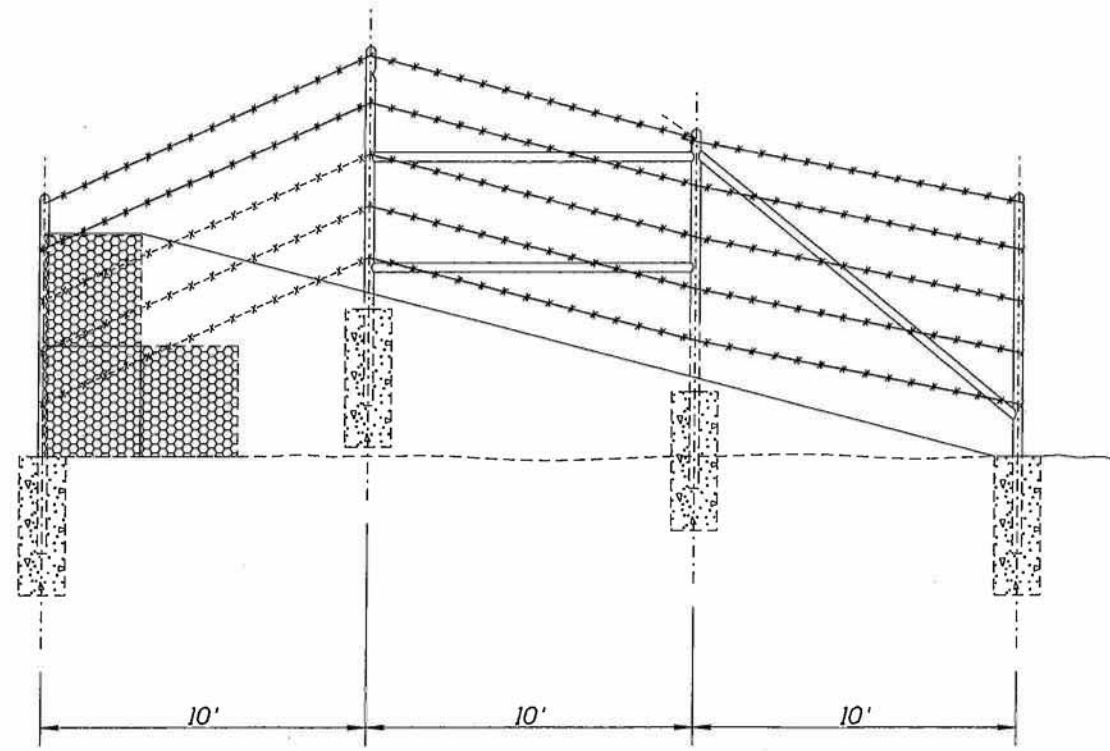
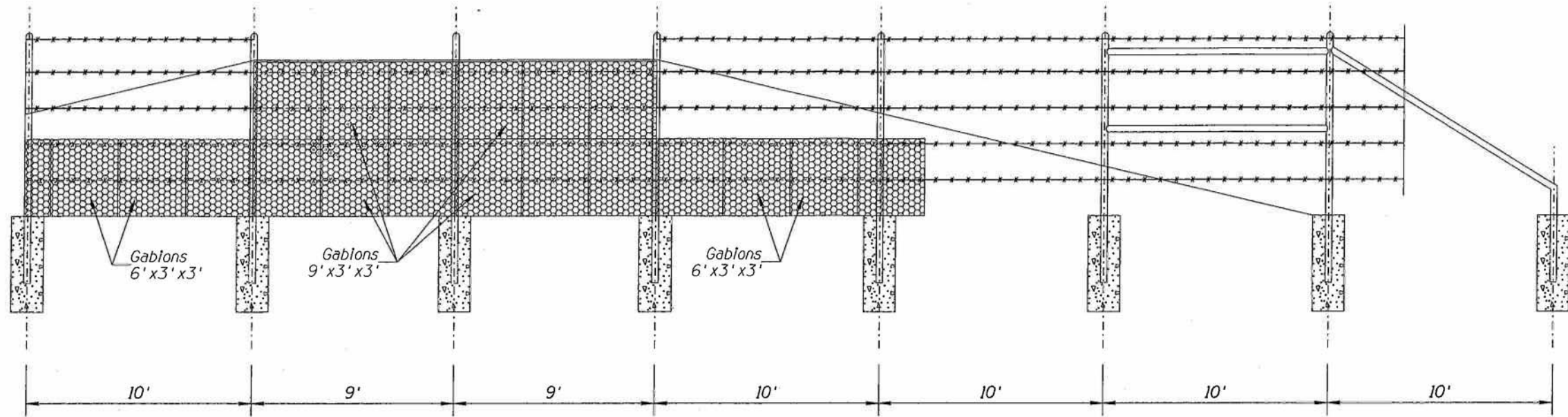


F.H.W.A. REGION	STATE	PROJECT NO.	SHEET NO.	TOTAL SHEETS	AS BUILT
9	ARIZ.	017-			
017 CO 317					



# DETAIL E

DESIGN	NAME	DATE	ARIZONA DEPARTMENT OF TRANSPORTATION INTERMODAL TRANSPORTATION DIVISION
DRAWN	SMD	06/09	
CHECKED	EAA	06/09	
	DDK	06/09	
AZTEC		4541 E. McDowell Road Phoenix, AZ 85008-0005 Tel: (602) 454-0402 Fax: (602) 454-0403 www.aztecusa.com	
ROUTE	LOCATION	DWG NO.	
I-17	I-17 WILDLIFE FENCE RETROFIT		
TRACS NO.	H 7740 OIC	017-	___ OF ___

SURVEY NO. FINISHED PLANS REVISIONS LOCATION DATE FINISHED PLANS REVISIONS LOCATION DATE FINISHED PLANS REVISIONS LOCATION DATE