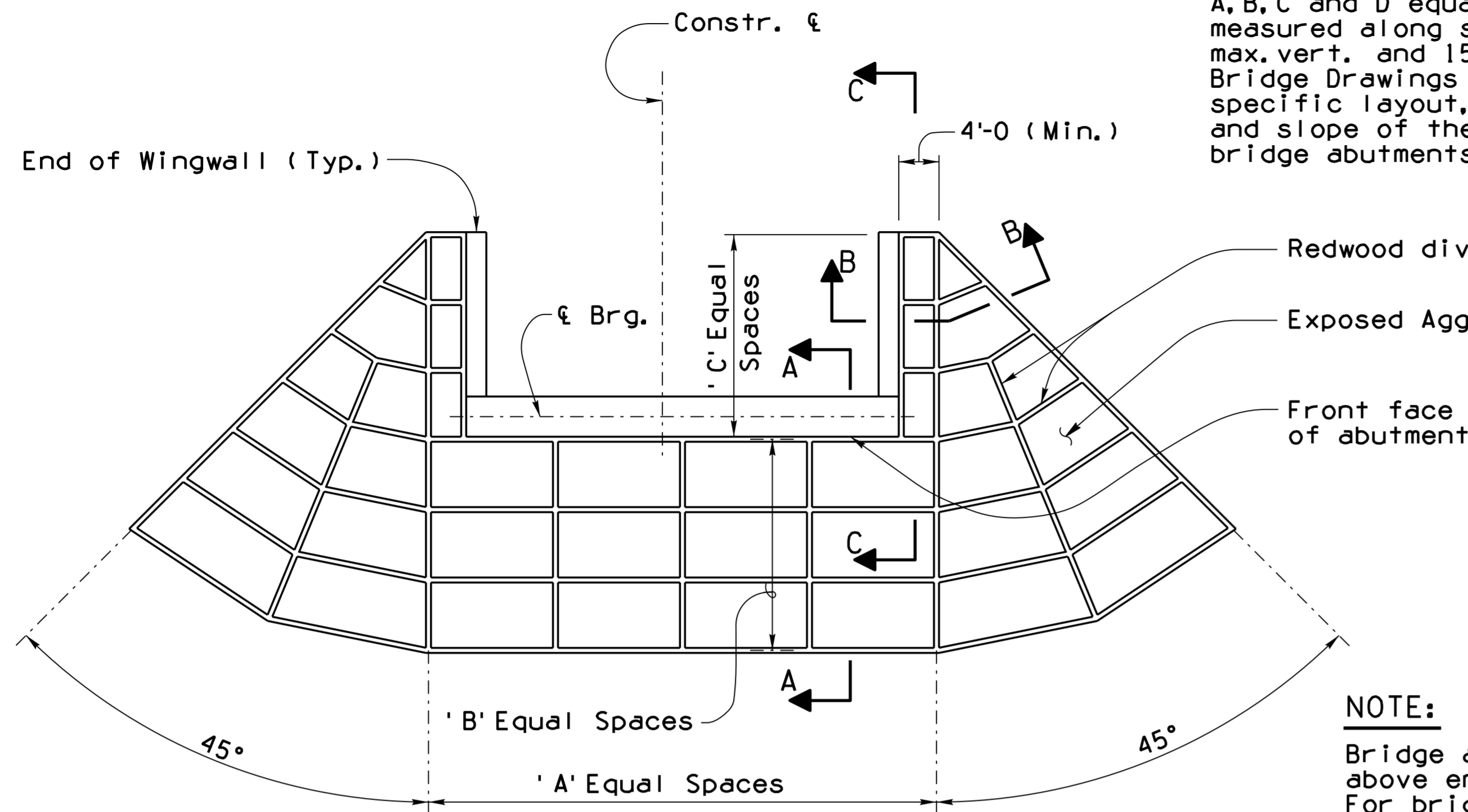


Note to Designer:  
 The information presented in this Standard Detail has been prepared in accordance with recognized engineering principles and is for general use. It should not be used for specific application without competent professional examination and verification of its suitability and applicability by a licensed professional engineer. Contents within the inner border line shall not be altered.

NO.	DESCRIPTION OF REVISIONS	DATE	MADE BY
1	Original Issue	11-02	H. Sung
2	Updated to include underpass and overpass (SD 2.05 deleted).	09-09	S.M.H.
3			
4			

**NOTE:**

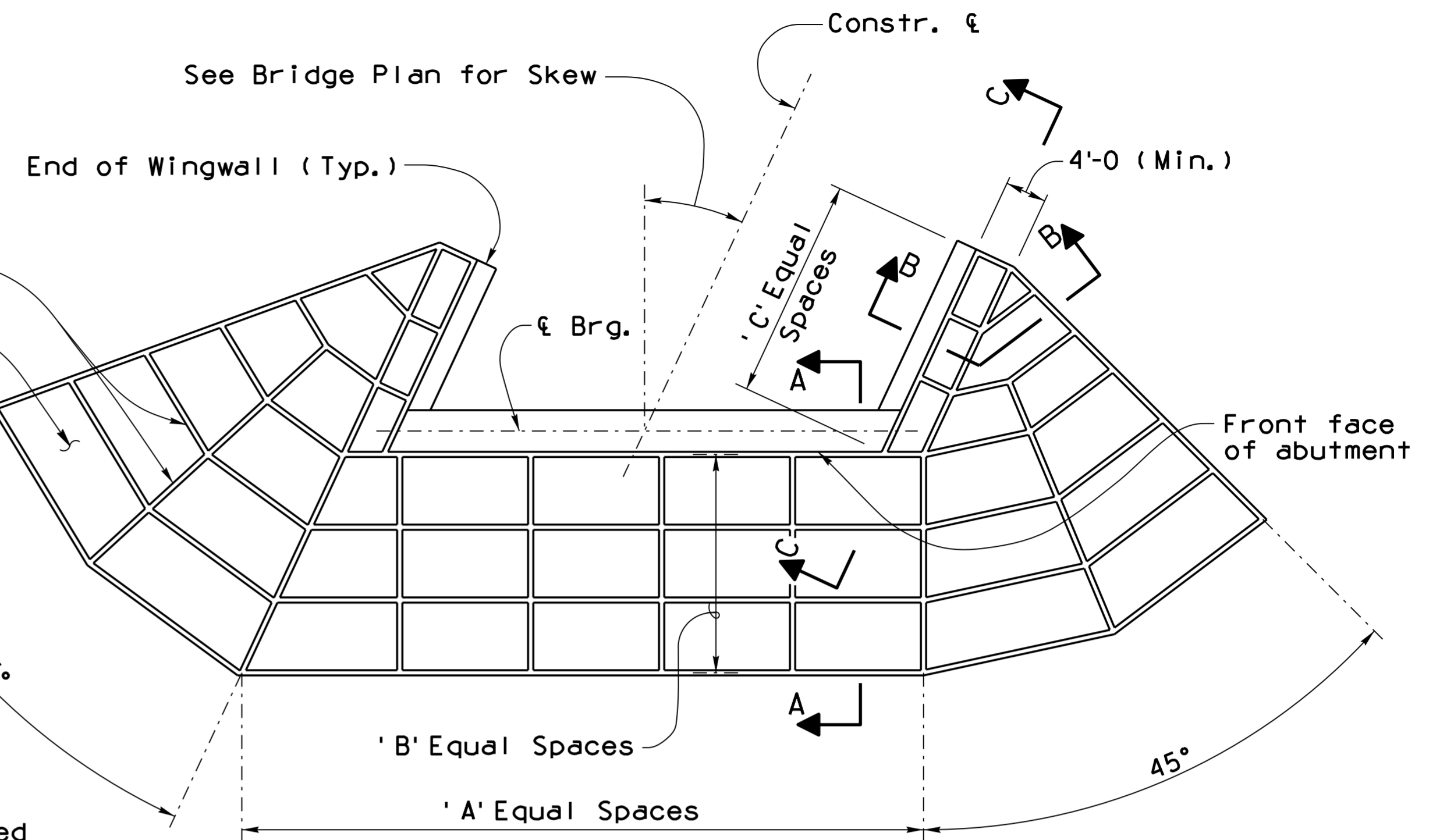
A, B, C and D equal spaces are measured along slope (8 feet max. vert. and 15 feet max. horiz.) Bridge Drawings shall show site specific layout, dimensions and slope of the paving at bridge abutments.



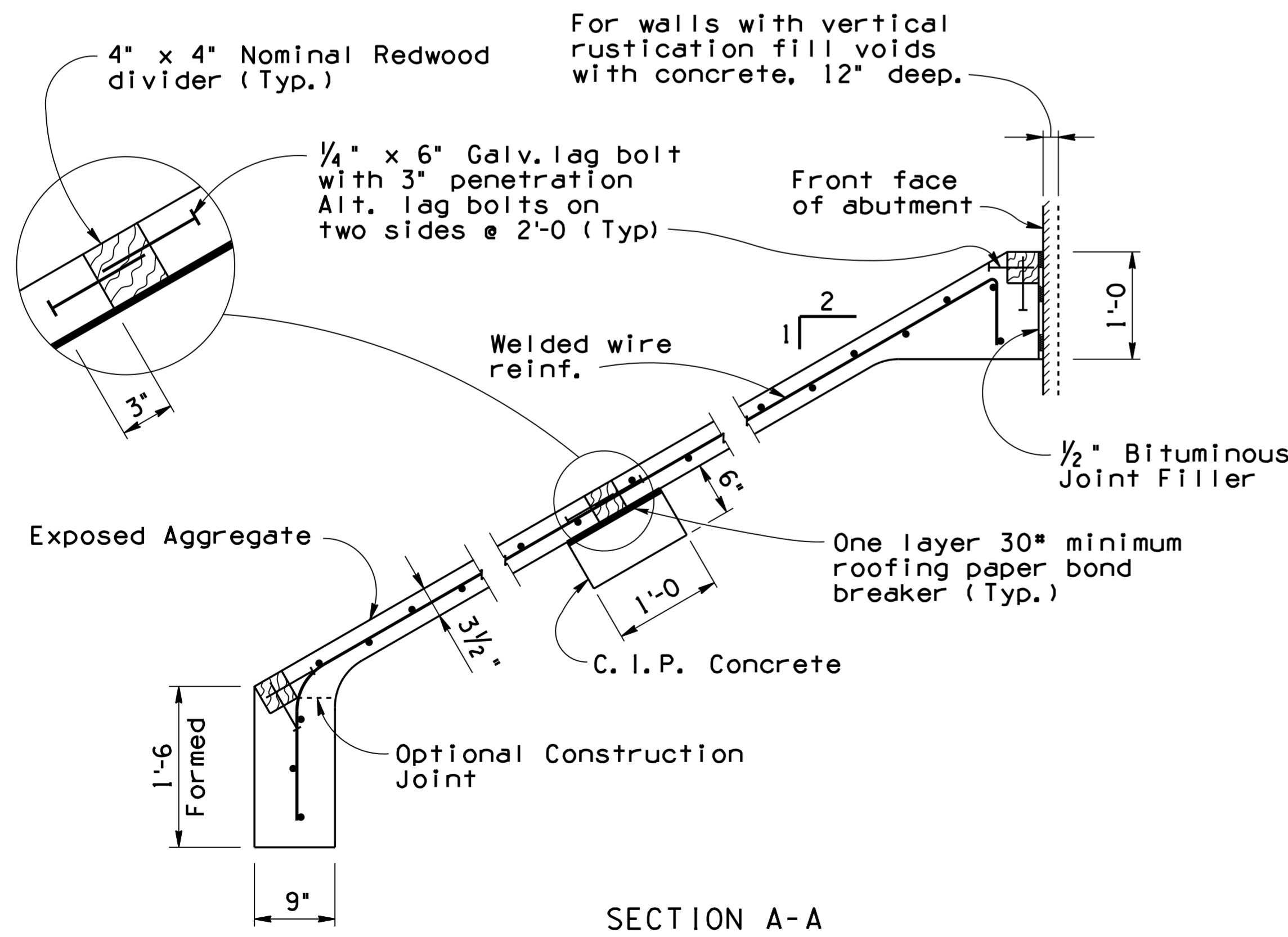
**PLAN - RIGHT ANGLE BRIDGE**

**NOTE:**

Bridge abutments are shown above embankment fills. For bridge abutments located within cut sections, the 45° triangular area at each edge is not required.

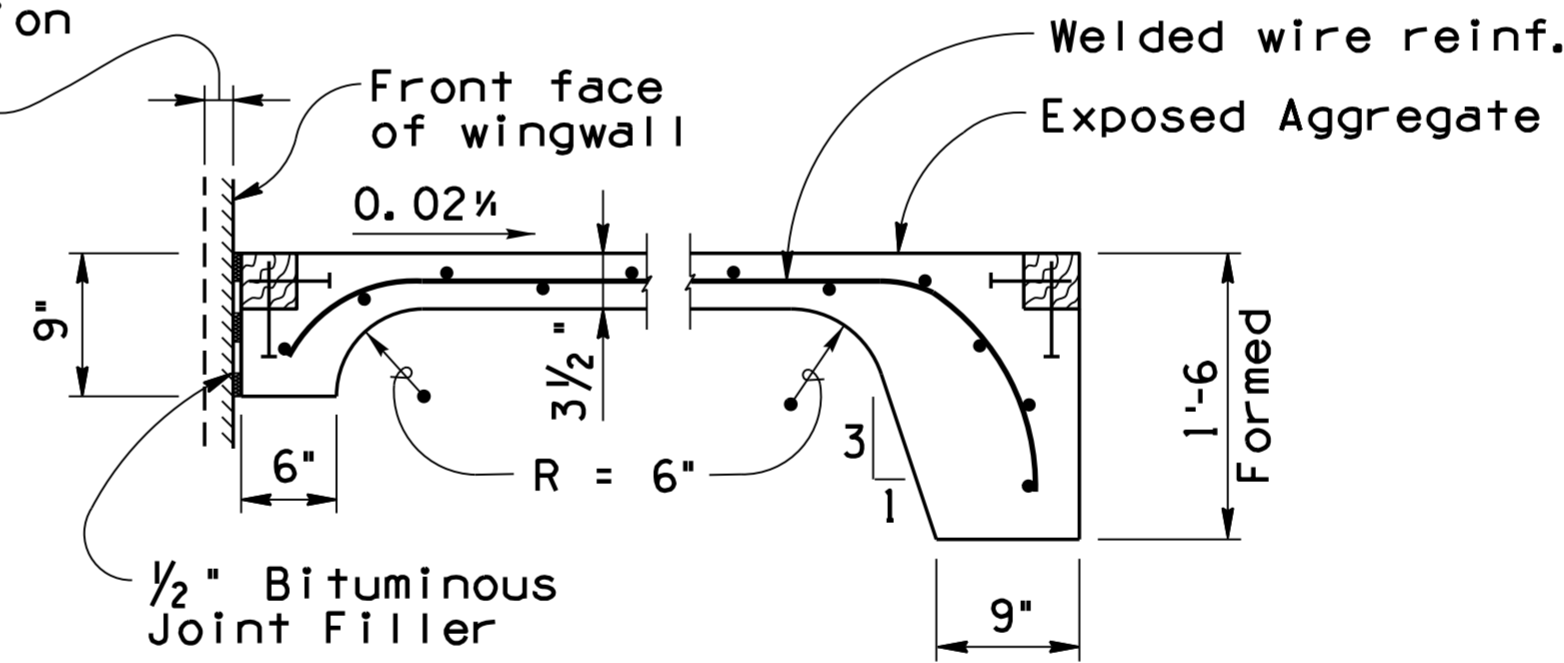


**PLAN - SKEW BRIDGE**

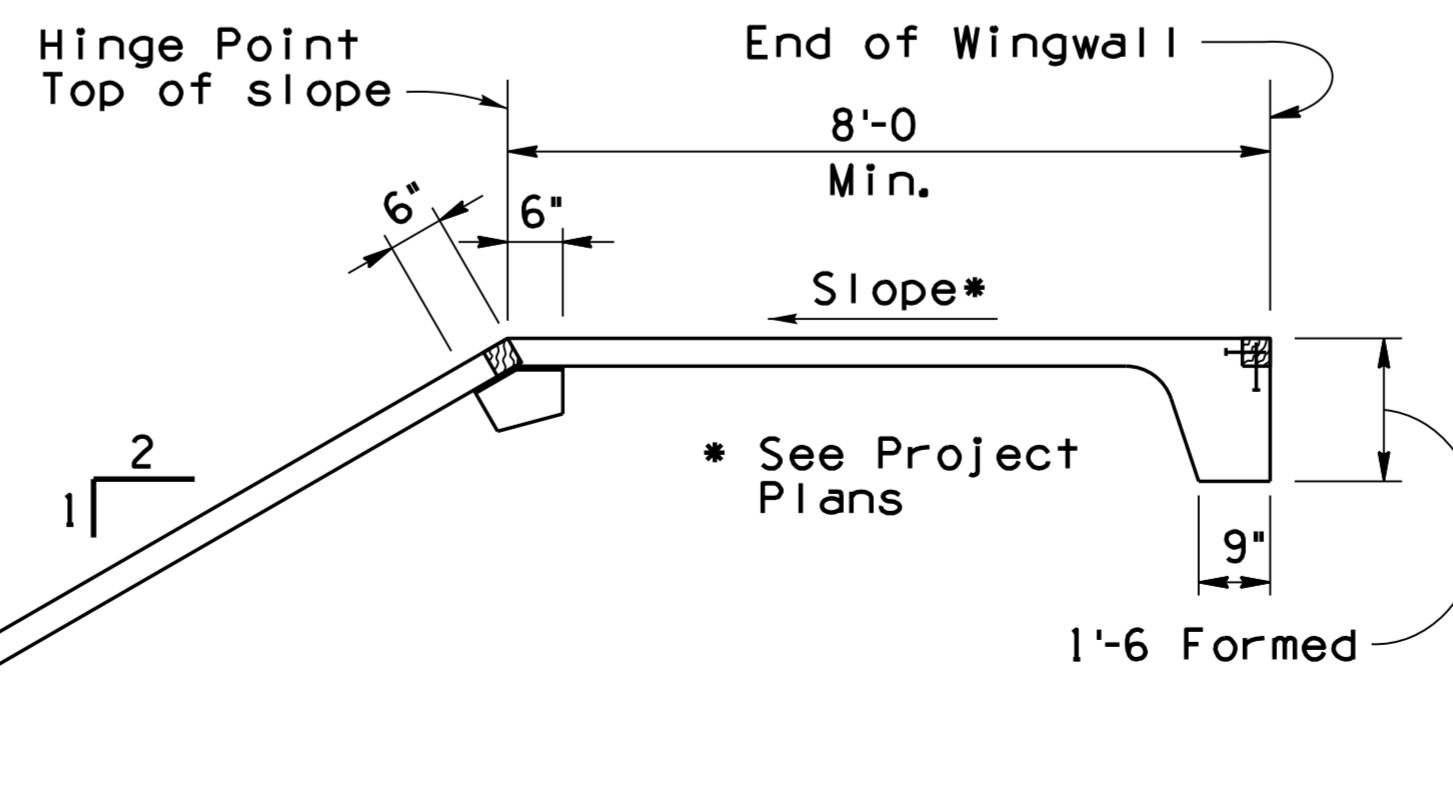


**SECTION A-A**

For walls with vertical rustication fill voids with concrete 9" deep.



**SECTION B-B**



**SECTION C-C**

**GENERAL NOTES:**

Construction Specification - Arizona Department of Transportation Standard Specifications for Road and Bridge Construction, latest Edition.

Design Specifications - AASHTO LRFD Bridge Design Specifications, 4th Edition 2007.

Concrete for slope paving shall be Class "S", (f'c = 3000 psi) with exposed aggregate surface. Maximum size coarse aggregate shall be 3/4 inch. Shotcreting shall not be allowed.

Welded Wire Reinforcement 6 x 6 - W2.5 x W2.5 shall conform to ASTM A185.

Slope paving is shown for 2:1 slopes. Slope paving may not be required for slopes less than 3:1 (See Project Plans).

Item No. 9210007 SLOPE PAVING  
Measure: Square Yards

DESIGN APPROVED <i>Shafiq U. Hasan</i>		ARIZONA DEPARTMENT OF TRANSPORTATION INFRASTRUCTURE DELIVERY AND OPERATIONS DIVISION BRIDGE GROUP STRUCTURE DETAIL	
APPROVED FOR DISTRIBUTION <i>Teon A. Nehme</i>		SLOPE PAVING DETAILS	
ROUTE	PROJECT NO.	FA NO.	DRAWING NO. SD 2.04
LOCATION			SHEET NO. OF