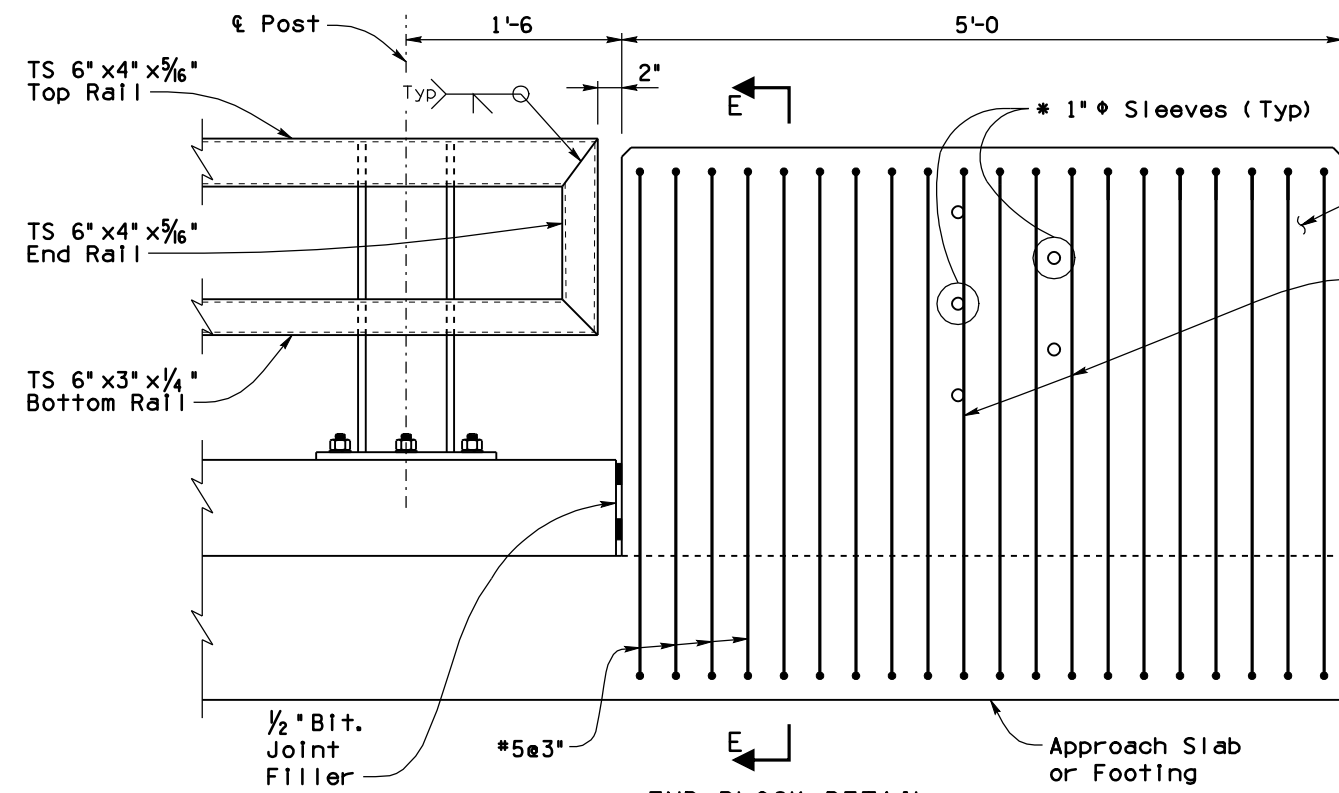


Note to Designer: The information presented in this Standard Drawing has been prepared in accordance with recognized engineering principles and is for general use. It should not be used for specific application without competent professional examination and verification of its suitability and applicability by a licensed professional engineer. Contents within the inner border line shall not be altered.

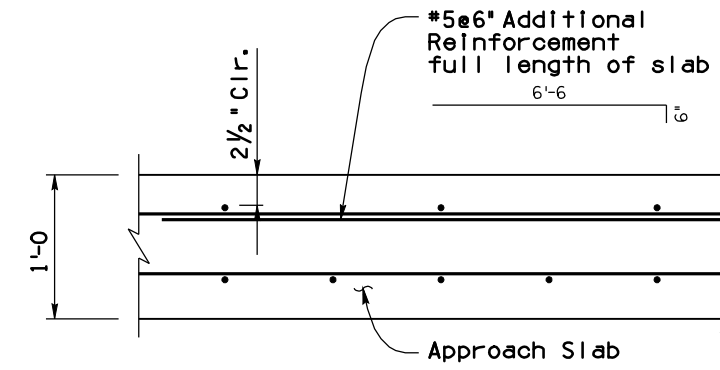
PRIOR DISTRIBUTION DATE 06/12



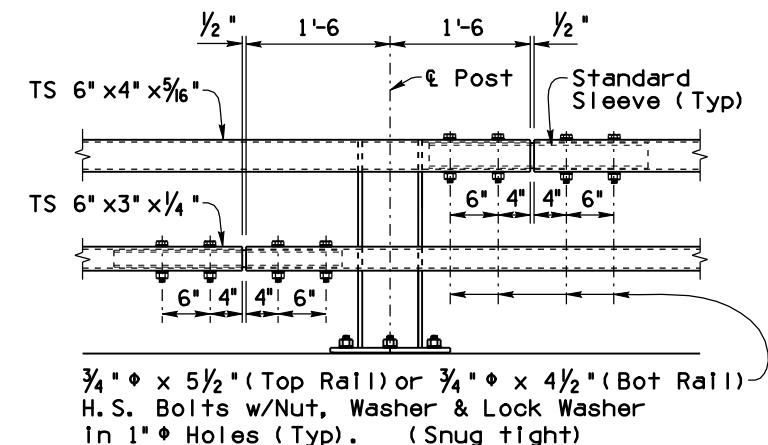
**END BLOCK DETAIL**

\* 1" Sleeves (Typ)  
See Roadway Standards for Thrie-Beam Guardrail Transition Details

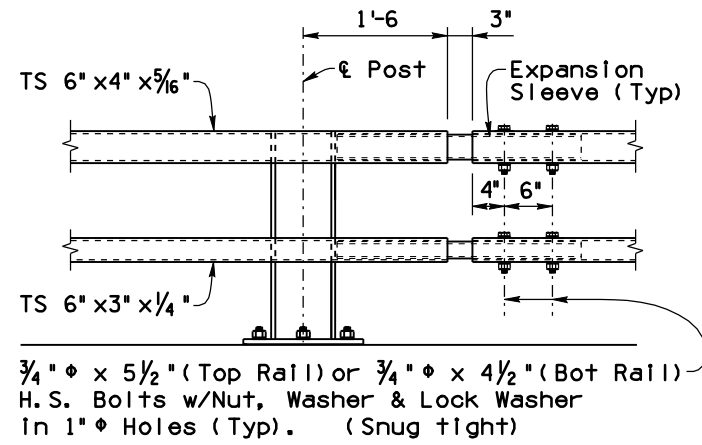
Concrete End Block  
Adjust vert. rebar spacing as necessary



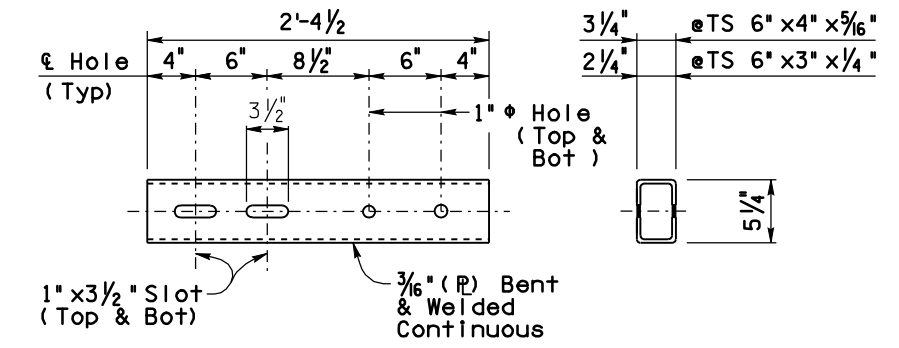
**SECTION E-E**



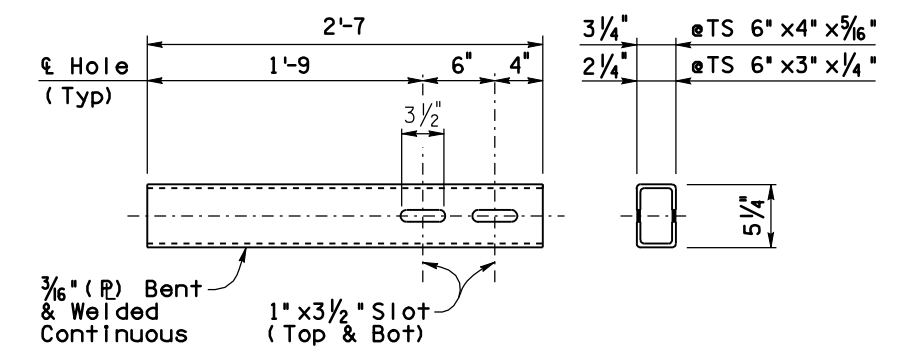
**STANDARD SPLICE**



**EXPANSION SPLICE**

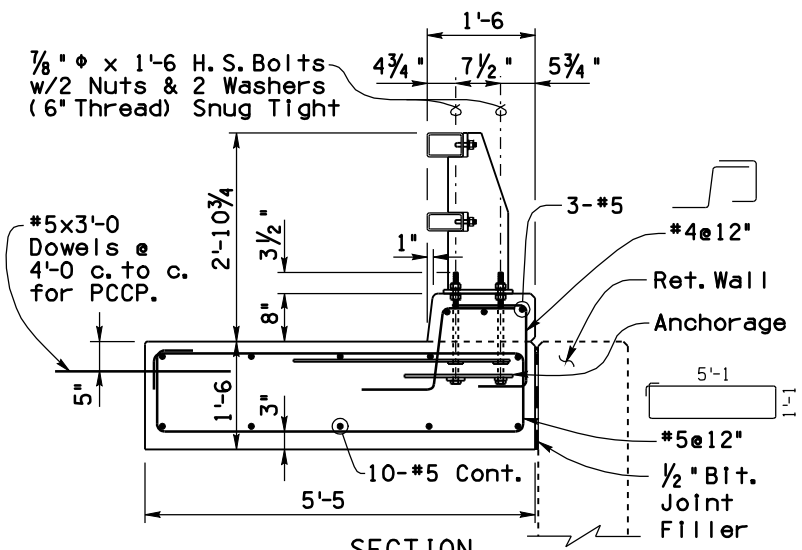


**STANDARD SLEEVE DETAILS**

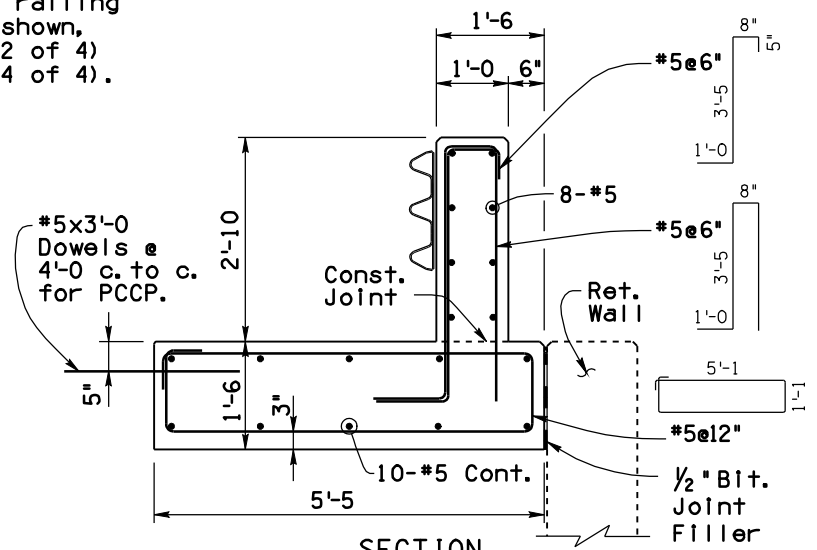


**EXPANSION SLEEVE DETAILS**

**NOTE:**  
For curb and railing details not shown, See SD 1.06(2 of 4) and SD 1.06(4 of 4).



**SECTION (Curb And Rail With Footing)**



**SECTION (End Block With Footing)**

STANDARDS ENGINEER  
**A. M. ALZUBI**  
RECOMMENDED FOR APPROVAL  
GROUP MANAGER  
**D. L. EBERHART**  
APPROVED  
STANDARDS COMMITTEE APPROVED FOR DISTRIBUTION DATE 12/17

ARIZONA DEPARTMENT OF TRANSPORTATION  
INFRASTRUCTURE DELIVERY AND OPERATIONS DIVISION  
BRIDGE GROUP STANDARD DRAWING

**TWO TUBE BRIDGE RAIL**

DRAWING NO.  
**SD 1.06**  
Sheet 3 of 4