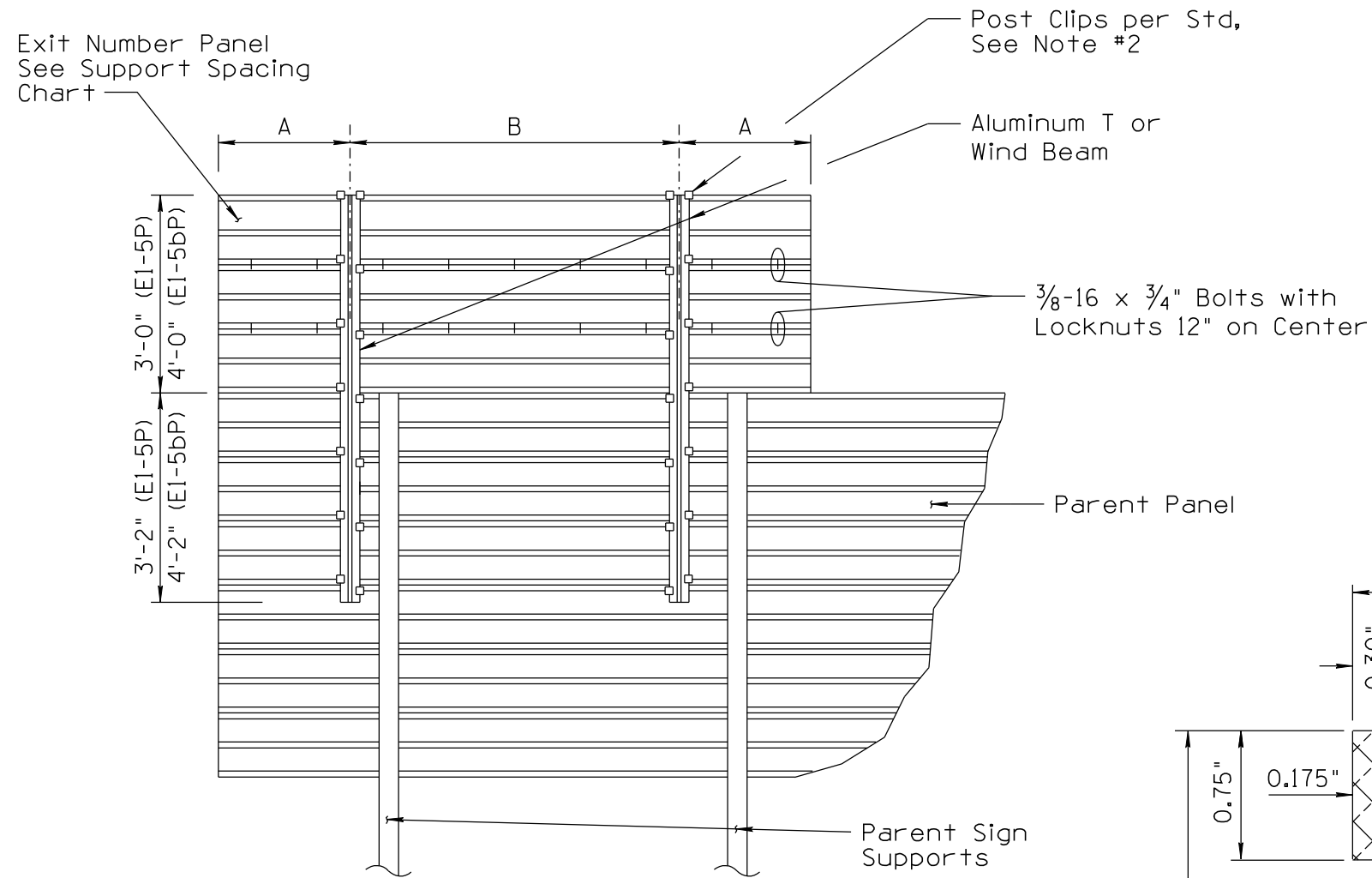


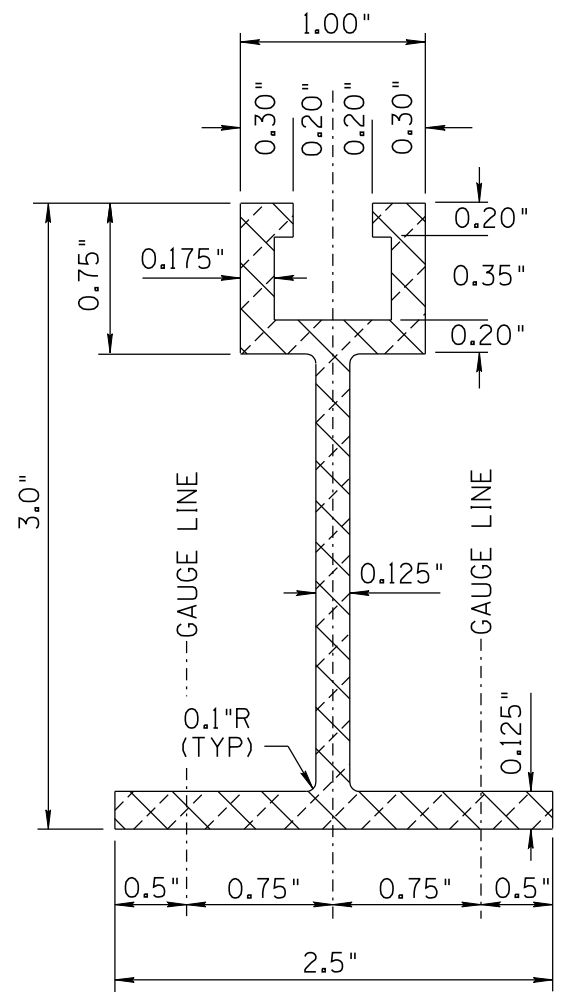
NO	DESCRIPTION OF REVISIONS	DATE	MADE BY
1	RE-ISSUE	2/02	L. LOPEZ
2	CALL-OUT CORRECTIONS	8/06	L. LOPEZ
3	CORRECTED EXIT PANEL SIZE		
4	REVISED DRAWING, CHANGE TEXT CASE. MOVED TO STD DWG S-7 SERIES FROM S-8 SERIES.		

DATE	MADE BY
8/11	L. LOPEZ
6/14	L. LOPEZ

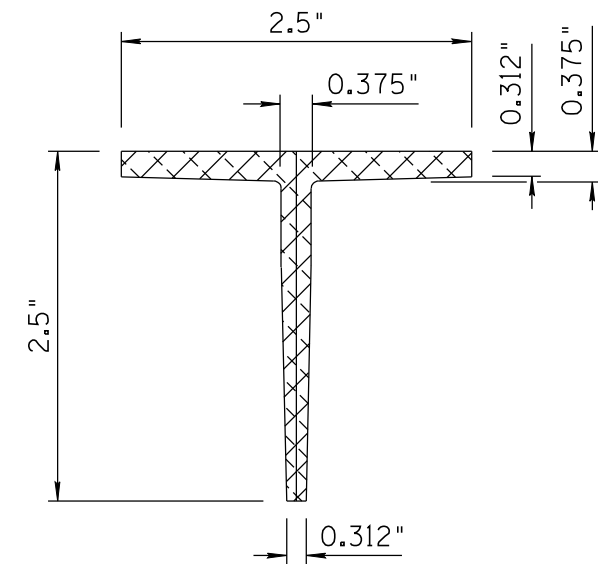


ALUMINUM EXTRUSION PANEL  
REAR ELEVATION

EXIT NUMBER PANEL SUPPORT SPACING CHART		
EXIT PANEL WIDTH	DIMENSION A	DIMENSION B
10'-0"	2'-0"	6'-0"
11'-0"	2'-6"	6'-0"
12'-0"	2'-6"	7'-0"
13'-0"	2'-6"	8'-0"
14'-0"	2'-6"	9'-0"
16'-0"	3'-0"	10'-0"



WINDBEAM CROSS SECTION



ALUMINUM T SECTION

NOTES:

1. A right exit number panel (E1-5P) shall be mounted with two uprights so that its right edge is flush with the right edge of the parent sign. A left exit number panel (E1-5bP) shall be mounted with two uprights so that its left edge is flush with the left edge of the parent sign.
2. Install two post clips at each junction of extrusions and vertical support, one on upper extrusion and one on lower extrusion where extrusions join one another.
3. The exit panel support may be moved a maximum of 6 inches either direction if it conflicts with the parent sign support.
4. Supports shall be 6061-T6 aluminum.
5. All bolts, washers and lock nuts shall be aluminum alloy, stainless steel, or plated steel.

NOT TO SCALE

DESIGN APPROVED	ARIZONA DEPARTMENT OF TRANSPORTATION INTERMODAL TRANSPORTATION DIVISION TRAFFIC SIGNING & MARKING STANDARD DRAWINGS	REVISION	6/14
APPROVED FOR DISTRIBUTION		DRAWING NO.	S-7
ALUMINUM EXTRUSION EXIT PANEL INSTALLATION DETAILS		SHEET NO.	3 of 3