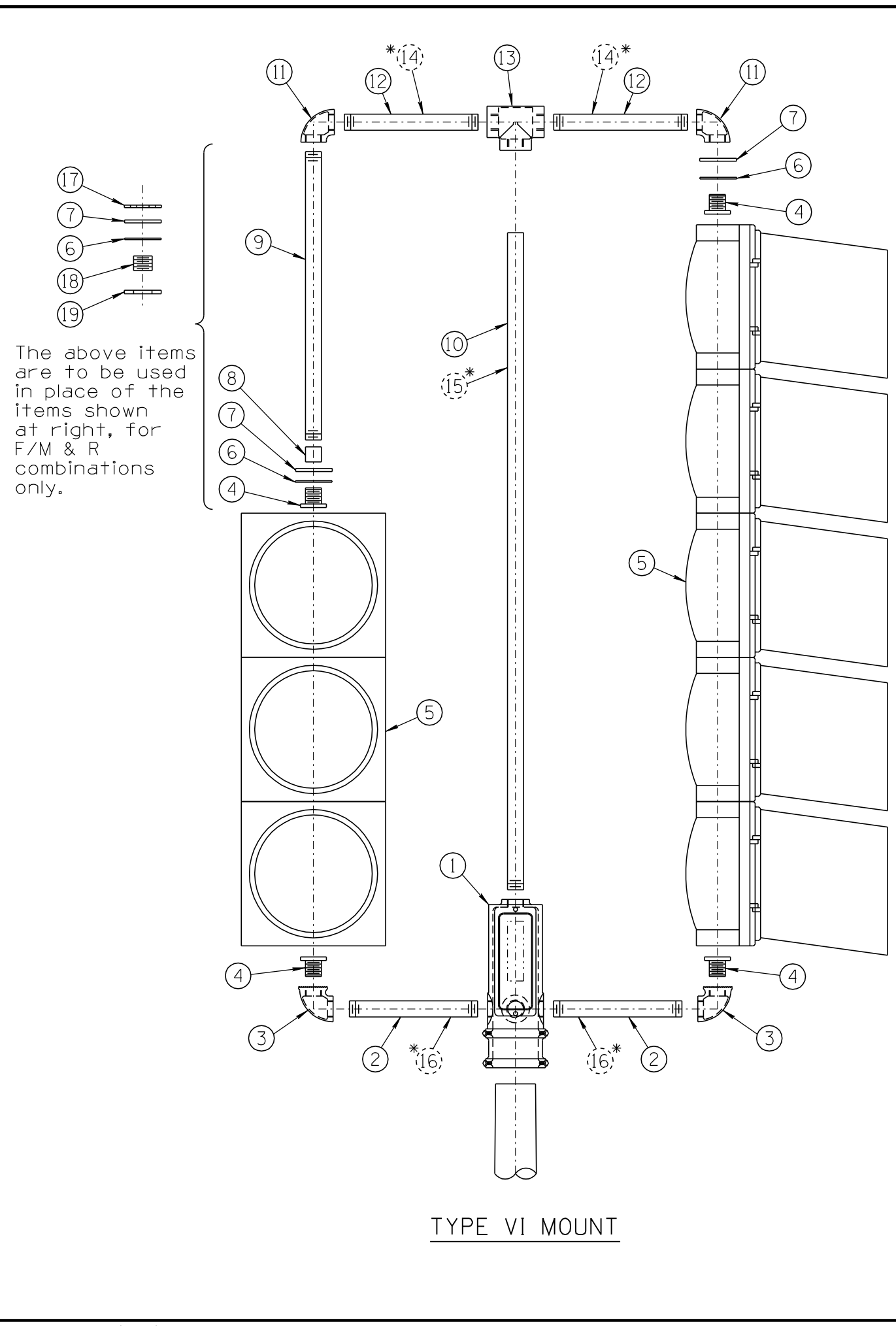


NO. 1 2010 EDITION
 DESCRIPTION OF REVISIONS
 MADE BY C. COLE
 DATE 03/10
 NO. 3 4
 DATE 03/10
 MADE BY C. COLE
 DESCRIPTION OF REVISIONS
 MADE BY
 DATE



The above items are to be used in place of the items shown at right, for F/M & R combinations only.

Table For Item ⑩ Only

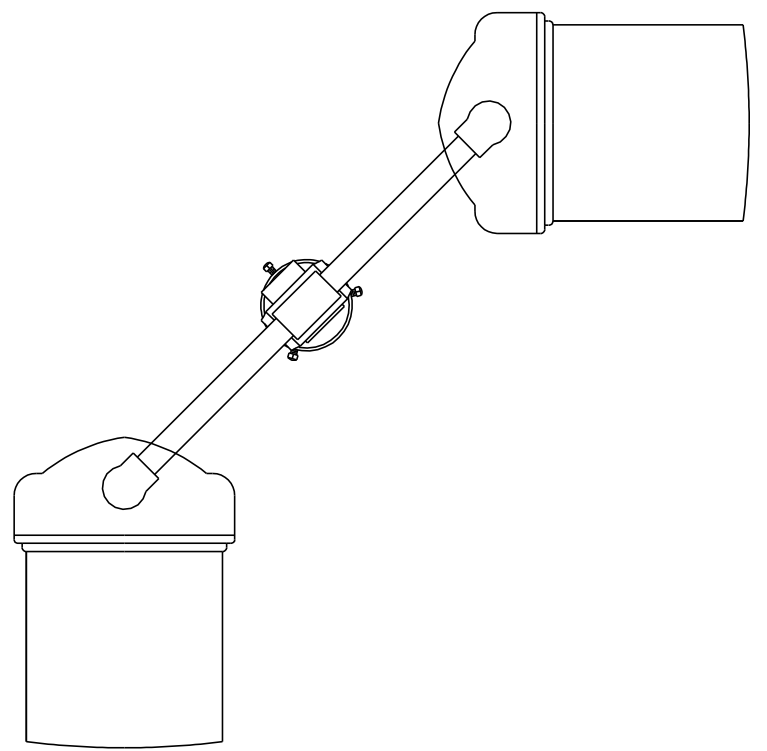
Signal Face	C	Q	F/R	M	H	G
(Typ) Pipe Length	21"	61½"	34½"	34½"	48"	48"

Threads On One End Only

Table For Item ⑨ Only

SIGNAL FACES COMBINATION						
	C	Q	F/R	M	H	G
C	∅	40½"	13½"	13½"	27"	27"
Q	40½"	∅	27"	27"	13½"	13½"
F/R	13½"	27"	∅	∅	13½"	13½"
M	13½"	27"	∅	∅	13½"	13½"
H	27"	13½"	13½"	13½"	∅	∅
G	27"	13½"	13½"	13½"	∅	∅

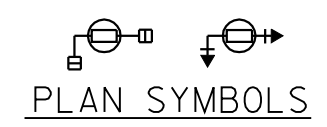
Table to be used for Finding Length, Actual Lengths to be Verified by Contractor



TYPICAL MOUNTING ORIENTATION PLAN
 (See Notes 6 and 7 on T.S. 9-0)

LIST OF MATERIALS		
Item	Qty	Description
①	1	Pole Top Mounted Terminal Compartment (T.S. 10-4-2)
②	2	1½" Pipe, (Typ) 12" Long
③	2	90° Elbow With Locking Device (T.S. 10-1-2)
④	4	1½" Lock Nipple, See Note No. 12, T.S. 9-0
⑤	2	Signal, See Plans
⑥	2	Neoprene Washer or Gasket
⑦	2	Flat Washer
⑧	1	1½" Pipe Coupling, As Required
⑨	1	1½" Pipe, See Table
⑩	1	1½" Center Pipe, See Table
⑪	2	90° Elbow, 1½"
⑫	2	1½" Pipe, (Typ) 12½" Long
⑬	1	Pipe Tee, Drill & Tap For Setscrew
* ⑭	2	1½" Pipe, (Typ) 12½" Long For Pedestrian Signal Heads
* ⑮	1	1½" Pipe, (Typ) 9½" Long For Pedestrian Signal Heads
* ⑯	2	1½" Pipe, (Typ) 12" Long For Pedestrian Signal Heads
⑰	1	Conduit Lock Nut (For "F", "M" & "R" Combination Only)
⑱	1	1½" Pipe, (Typ) 3" Long (For "F", "M", & "R" Combination Only)
⑲	1	Malleable Hex Nut (For "F", "M", & "R" Combination Only)

* Special Pipe Length For Use Only With Ped Signal Single Head Units



DESIGN APPROVED SIGNATURE	ARIZONA DEPARTMENT OF TRANSPORTATION INTERMODAL TRANSPORTATION DIVISION TRAFFIC SIGNALS AND LIGHTING STANDARD DRAWINGS	REVISION 03/10
APPROVED FOR DISTRIBUTION ON FILE	TYPE VI MOUNTING ASSEMBLY	DRAWING NO. T.S. 9-4
		SHEET NO. 1 OF 1

NOT TO SCALE