

NO. 1 2012 ORIGINAL ISSUE - NEW DRAWING

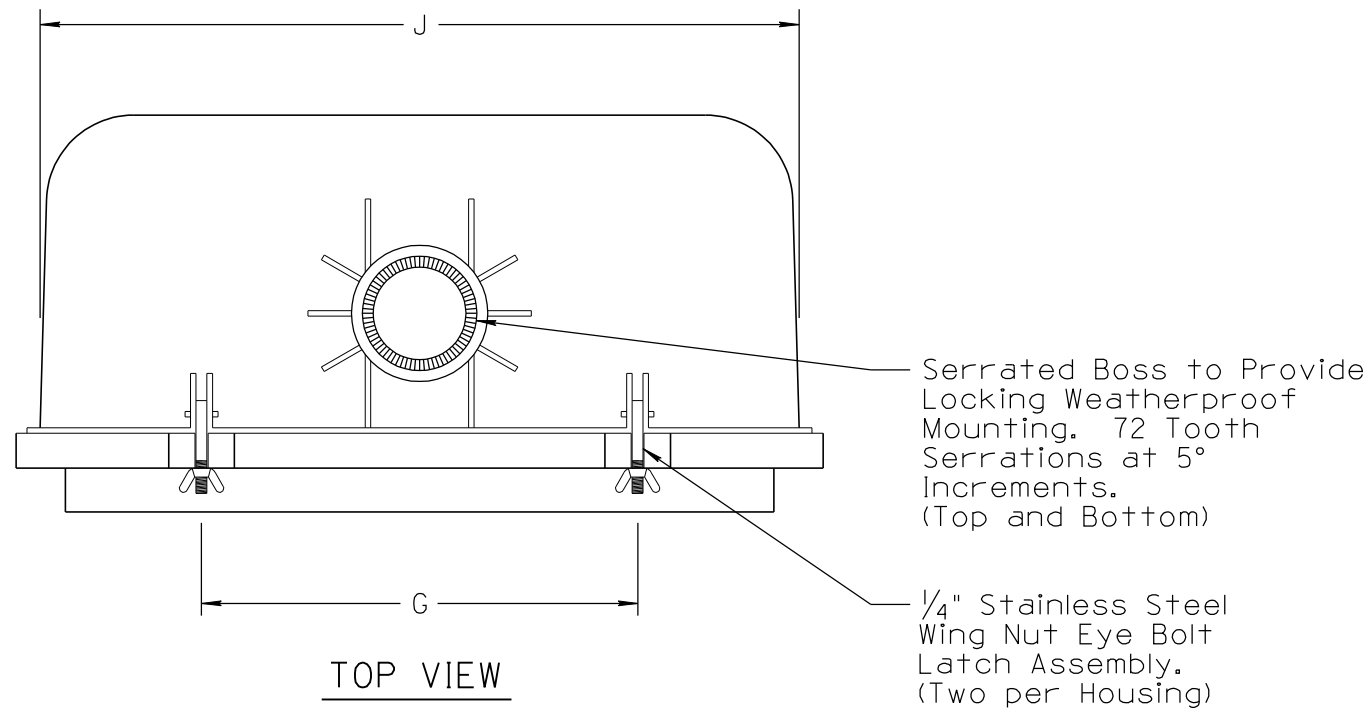
DESCRIPTION OF REVISIONS

NO.	DATE	MADE BY
3	01/12	C. COLE
4		

DESCRIPTION OF REVISIONS

MADE BY

DATE

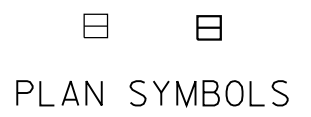
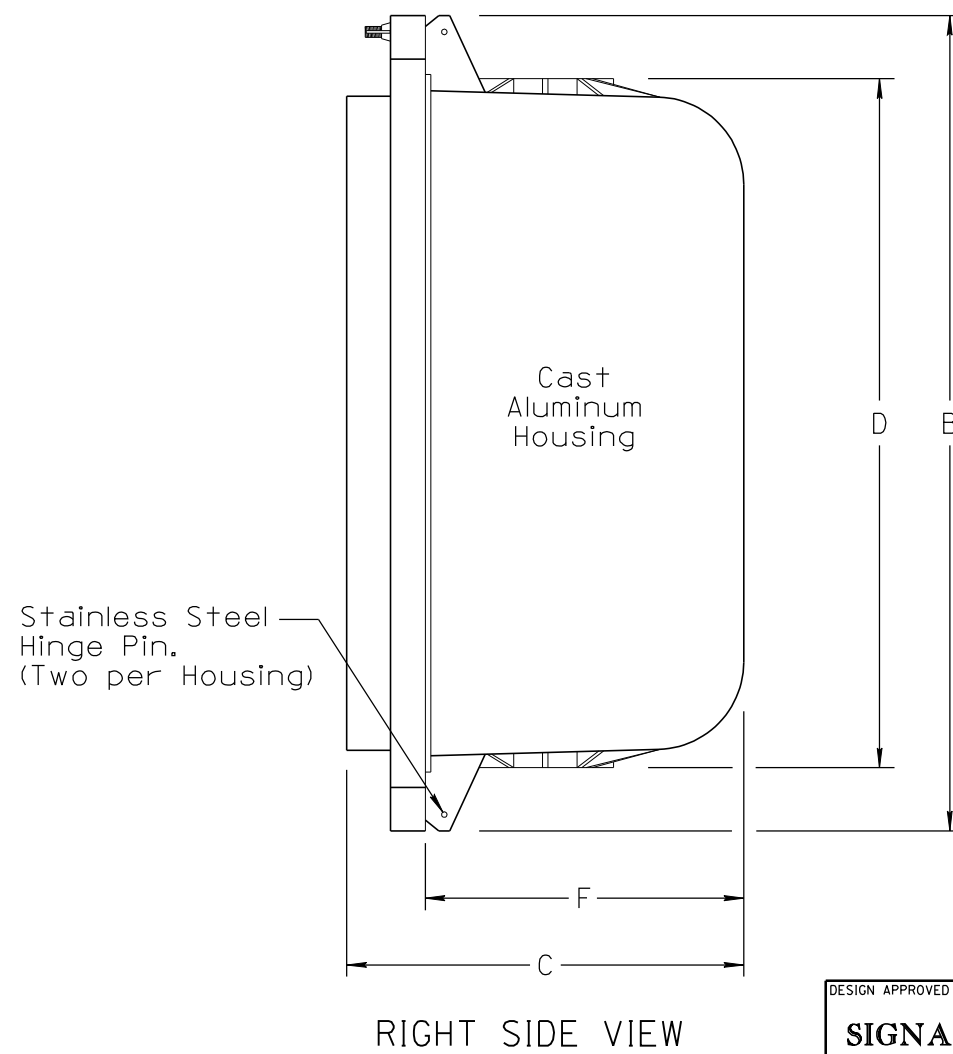
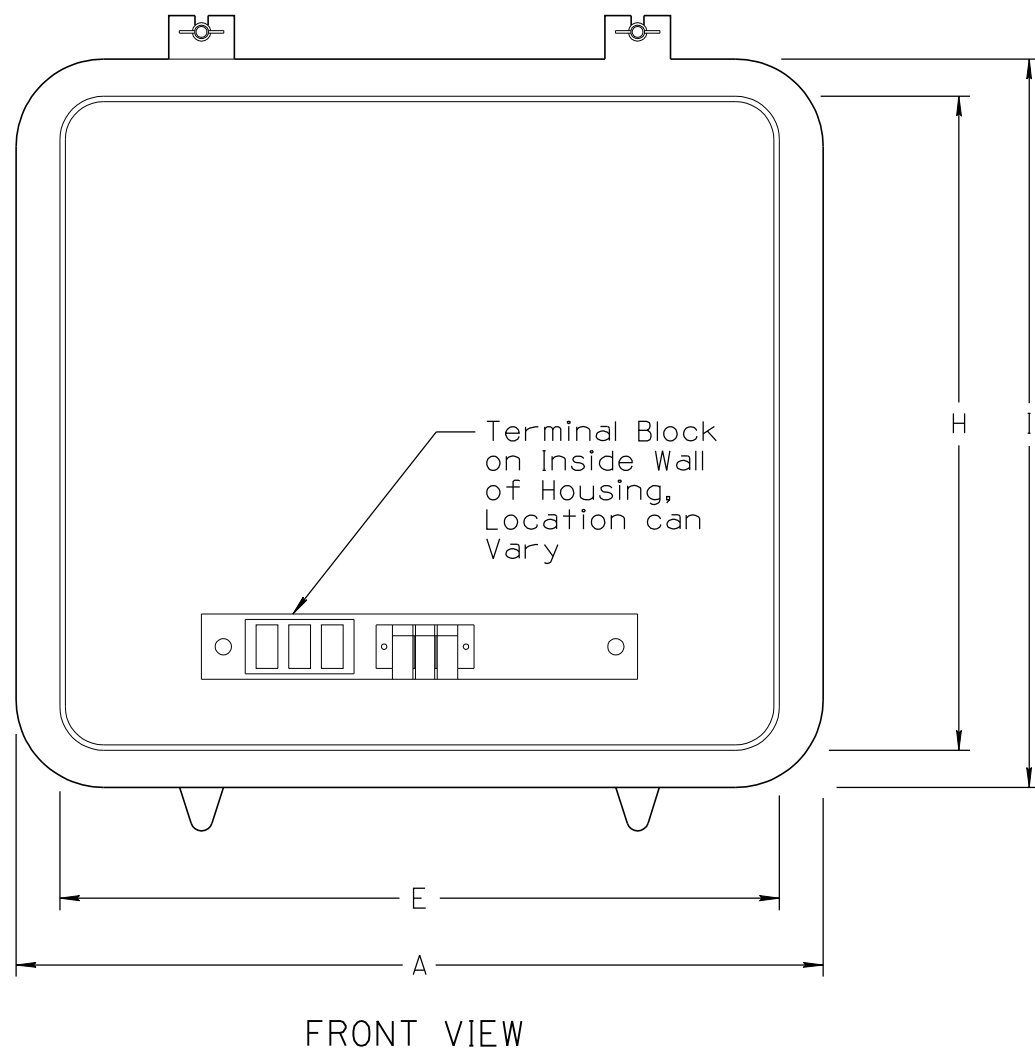


DIMENSION	GTE	ECONOLITE	McCAIN	SIEMENS*	PEEK
A	19.5	17.94	18.5	18.75	18.5
B	18.75	18.73	18.7	19.0	18.75
C	9.0	7.0	9.1	7.5	9.0
D	16.0	16.0	15.8	16.0	16.0
E	NK	NK	16.5	16.75	16.75
F	NK	4.87	7.3	7.0	7.0
G	NK	NK	10.0	10.0	10.0
H	NK	NK	15.0	15.0	15.0
I	NK	16.37	16.7	16.75	16.75
J	NK	NK	17.4	15.0	16.0

NK - NOT KNOWN * - EAGLE

DIMENSIONS FOR PEDESTRIAN 16" X 18" (HEIGHT X WIDTH) MESSAGE BEARING SURFACE SIGNAL HOUSING

All Dimensions in Decimal Inches



NOT TO SCALE

DESIGN APPROVED	ARIZONA DEPARTMENT OF TRANSPORTATION INTERMODAL TRANSPORTATION DIVISION TRAFFIC SIGNALS AND LIGHTING STANDARD DRAWINGS	REVISION
SIGNATURE		01/12
APPROVED FOR DISTRIBUTION	PEDESTRIAN SIGNAL ASSEMBLY HOUSING	DRAWING NO.
ON FILE		T.S. 8-7
		SHEET NO.
		2 OF 3