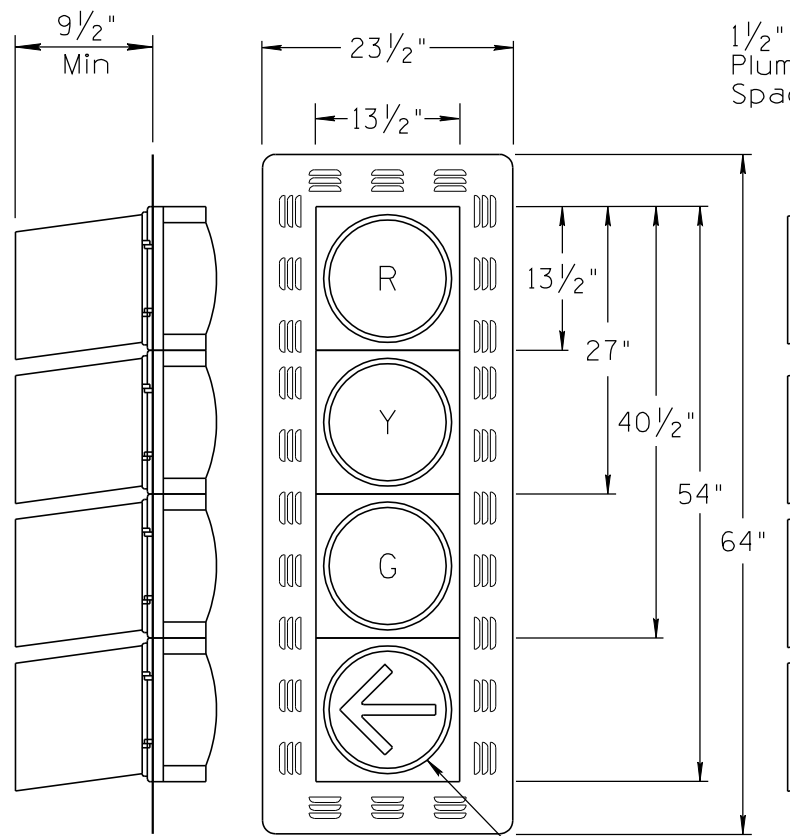
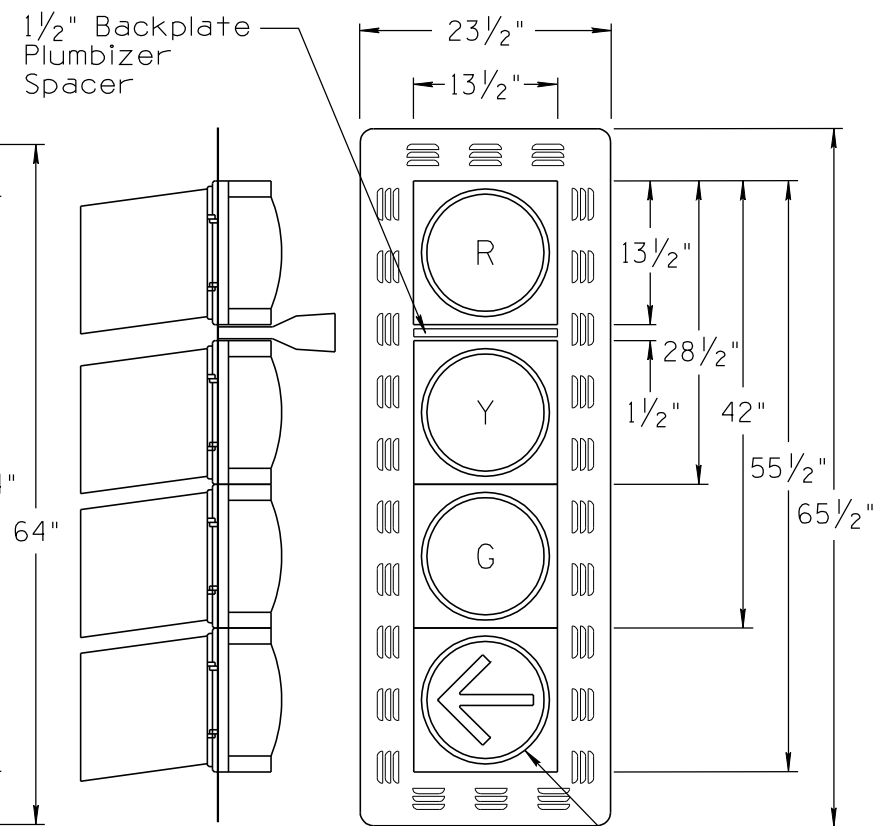


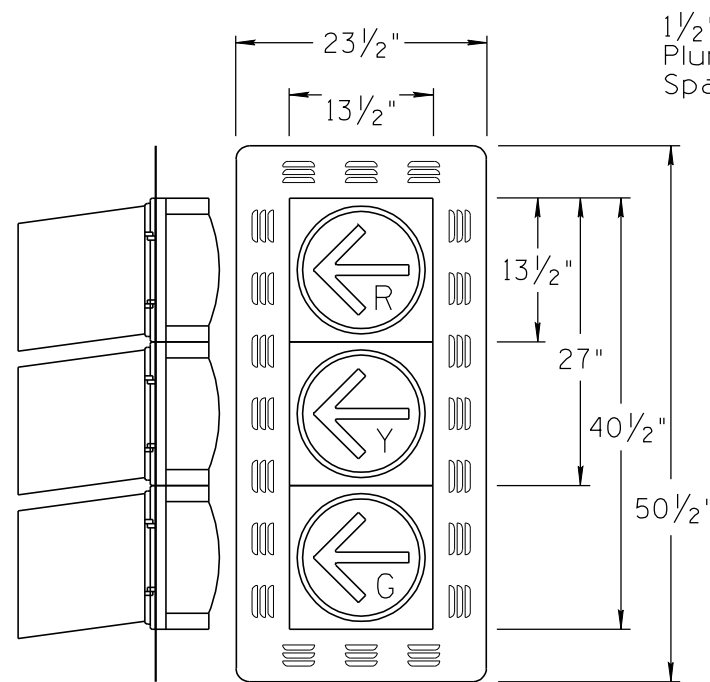
NO	DESCRIPTION OF REVISIONS	DATE	MADE BY
1	2010 EDITION	03/10	C. COLE
2	2012 REVISED NOTE 4 AND 6	01/12	C. COLE



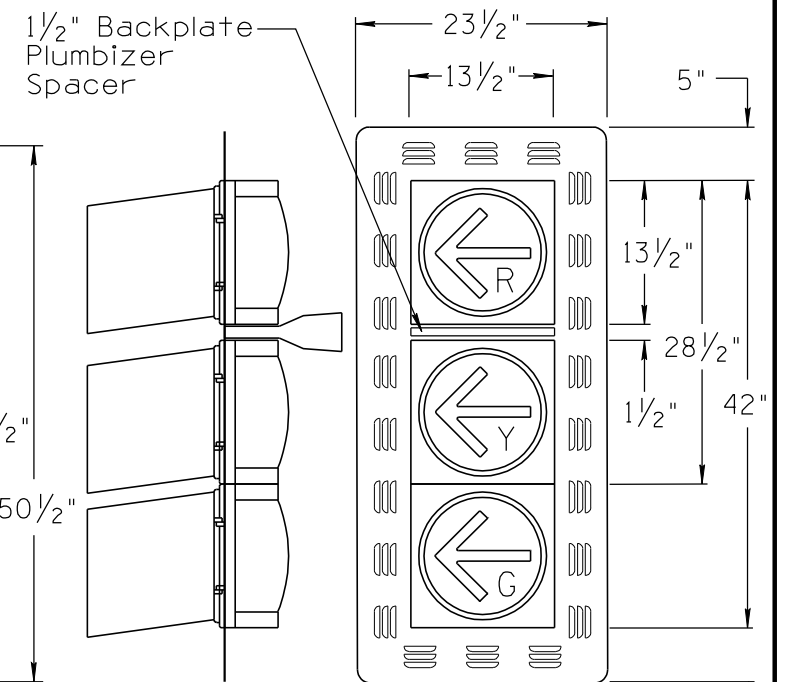
TYPE "G" — See Note 2



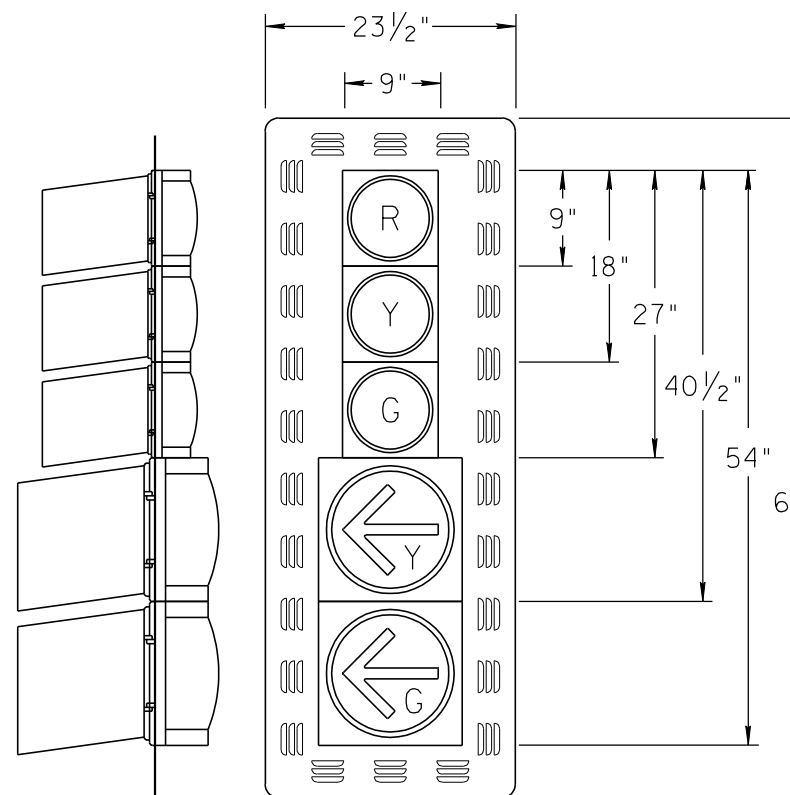
TYPE "G" (With Plumbizer) — See Note 2



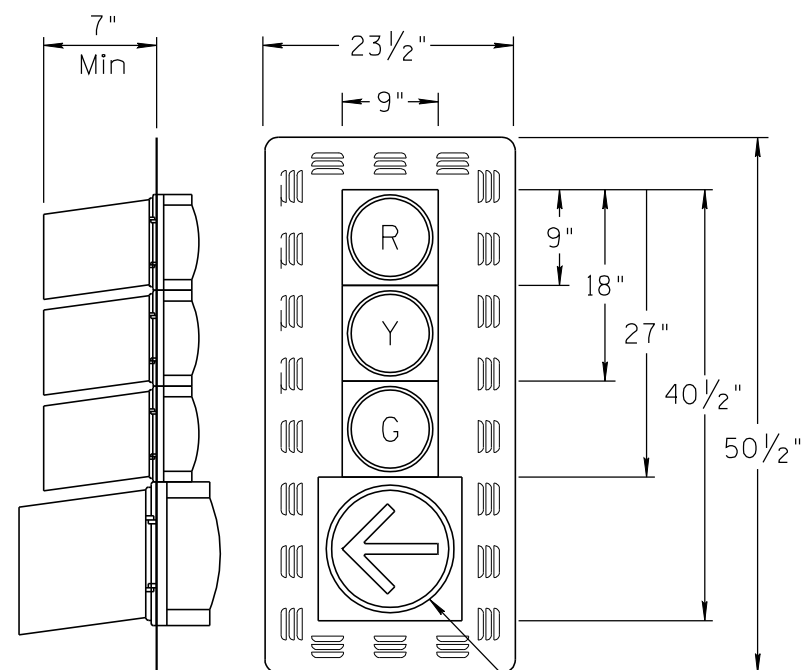
TYPE "R"



TYPE "R" (With Plumbizer)



TYPE "H" (Type H and M are Shown for Information Only - Do Not Use)



TYPE "M" — See Note 2

NOTES:

1. Type R and G signal face indications shall be 12-inch.
2. The type G and M signal face assemblies can also be used with combination (dual display or bi-modal) yellow and green arrow indications.
3. Variations between manufacturers are allowable if function and mounts remain interchangeable.
4. The Type H and M shall not be used for any new construction.
5. See plans for arrow orientation.
6. Plumbizer location can be changed to meet vertical clearances. (e.g. between the yellow and green sections or the green and arrow sections).



PLAN SYMBOLS

SEE NOTES ON T.S. 8-0

DESIGN APPROVED	ARIZONA DEPARTMENT OF TRANSPORTATION INTERMODAL TRANSPORTATION DIVISION TRAFFIC SIGNALS AND LIGHTING STANDARD DRAWINGS	REVISION 01/12
SIGNATURE		DRAWING NO. T.S. 8-2
APPROVED FOR DISTRIBUTION	VEHICLE TRAFFIC SIGNAL FACE ASSEMBLY	SHEET NO. 1 OF 1
ON FILE		

NOT TO SCALE