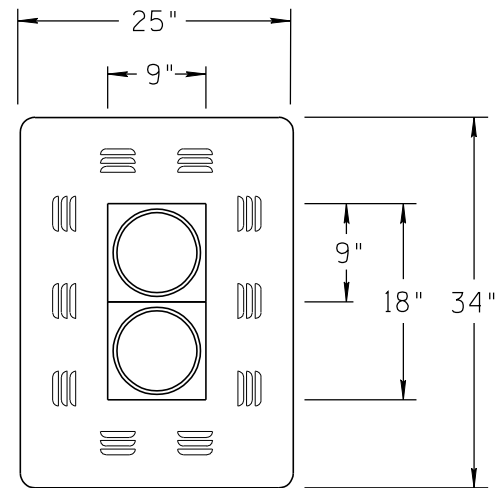
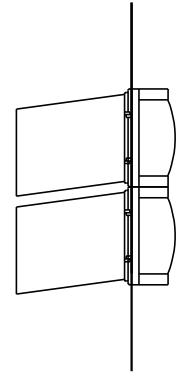
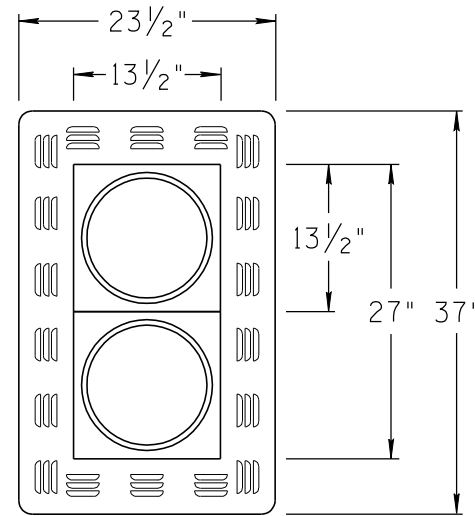
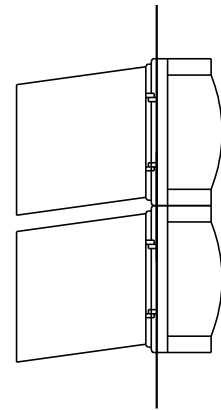


NO.	DESCRIPTION OF REVISIONS	DATE	MADE BY
1	2010 EDITION	03/10	C. COLE
2	2012 - RELOCATED TYPE A & D FACE TO T.S. 8-5, REVISED NOTES	01/12	C. COLE
3			
4			



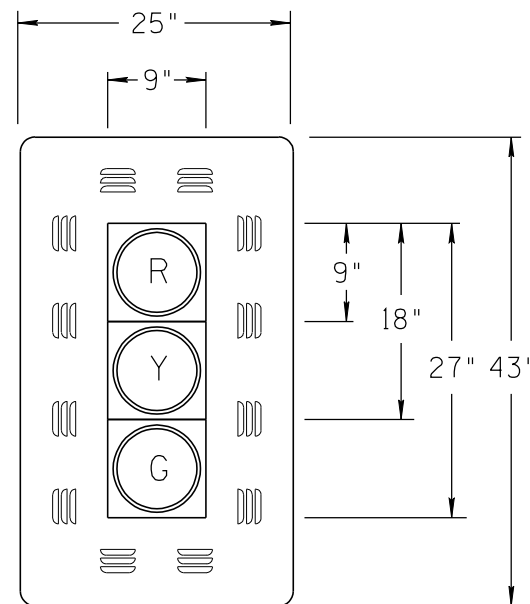
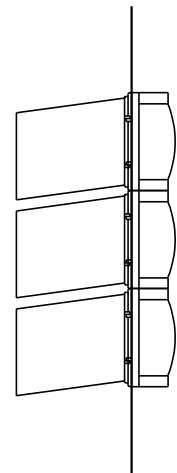
**TYPE "B"**  
(Indication Color Varies, See Plans)



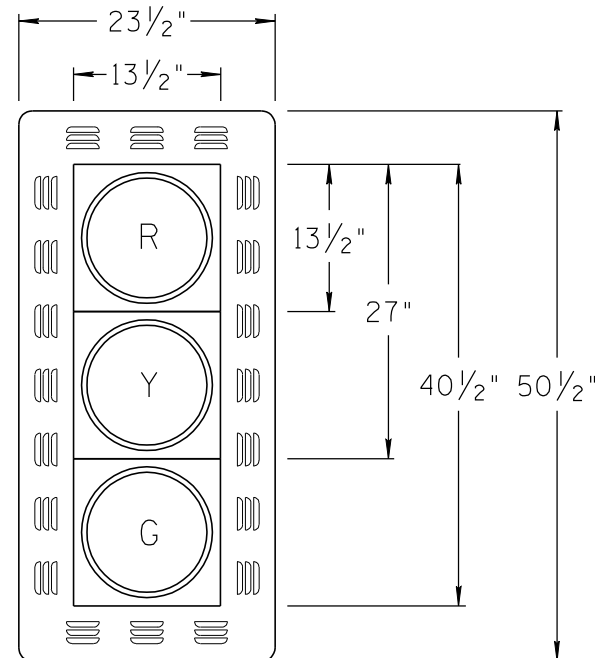
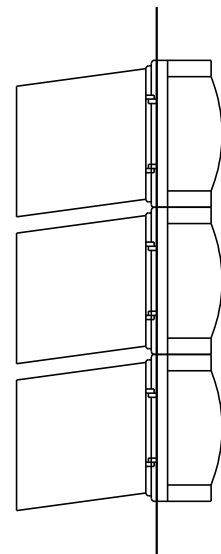
**TYPE "E"**  
(Indication Color Varies, See Plans)

**NOTES:**

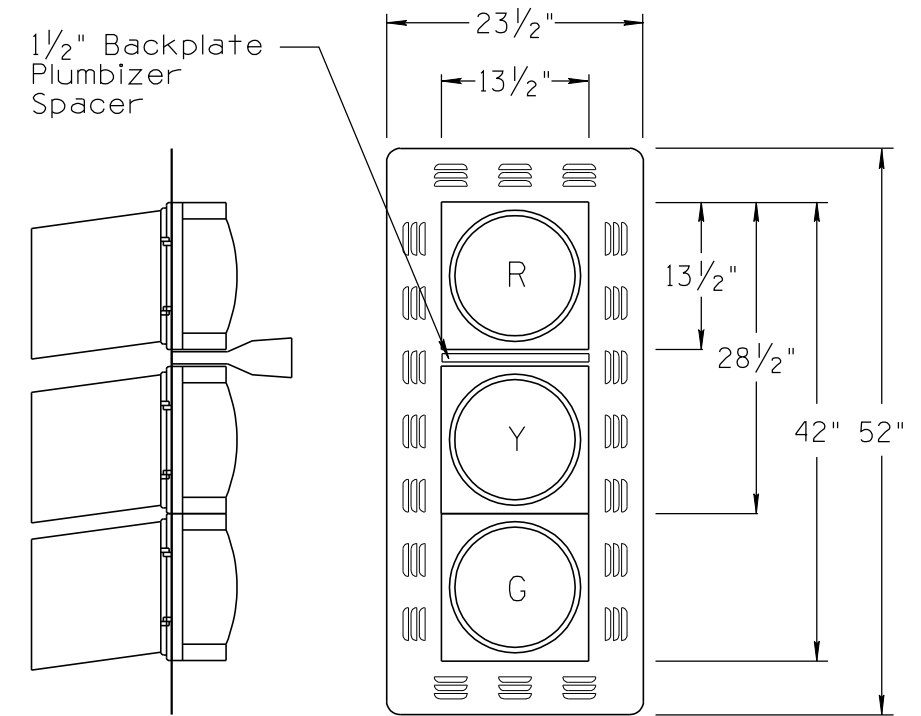
1. Type B & C signal face shall be 8-Inch Indications. All others shall be 12-inch indications.
2. Type C signal face shall not be used for any new construction.
3. 8-inch signal face indications shall normally only be used for flashers and ramp meters.
4. Variation between manufacturers are allowable if function and mountings remain interchangeable.
5. Ramp metering assemblies may be requested to have "tattle tell lights" See project plans or special provisions for details.
6. See T.S. 8-5 for flashing beacon signal face assemblies.
7. Plumbizer location can be changed to meet vertical clearances. (e.g. between the yellow and green section).



**TYPE "C"**  
(Shown for Information Only do Not Use)



**TYPE "F"**



**TYPE "F"**  
(With Plumbizer)

SEE NOTES ON T.S. 8-0

↑  
↑  
PLAN SYMBOLS

DESIGN APPROVED <b>SIGNATURE</b>	ARIZONA DEPARTMENT OF TRANSPORTATION INTERMODAL TRANSPORTATION DIVISION TRAFFIC SIGNALS AND LIGHTING STANDARD DRAWINGS	REVISION 01/12
APPROVED FOR DISTRIBUTION <b>ON FILE</b>	VEHICLE TRAFFIC SIGNAL FACE ASSEMBLY	DRAWING NO. T.S. 8-1
		SHEET NO. 1 OF 1

NOT TO SCALE