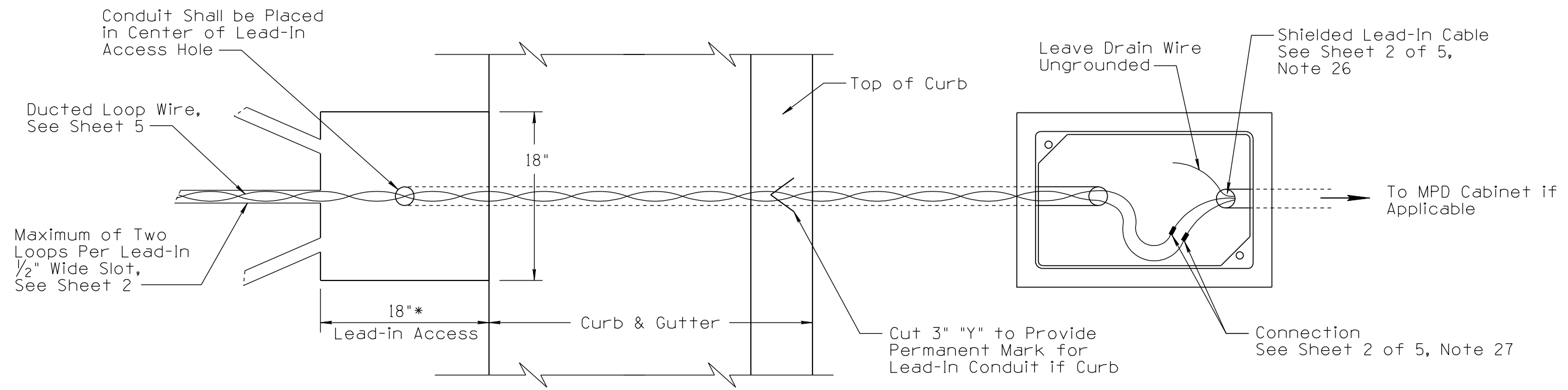
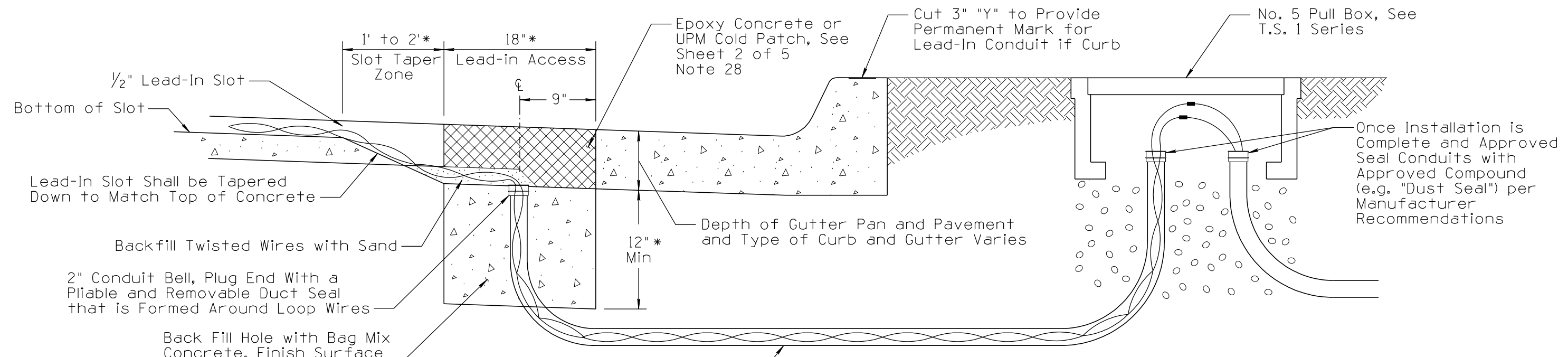


NO	DESCRIPTION OF REVISIONS	DATE	MADE BY
1	2010 EDITION	03/10	C. COLE
2	REVISED LEAD-IN ACCESS AND PATCH NOTES	12/12	C. COLE
3			
4			



PLAN VIEW
(Number of Loops & Slots will Vary)



SIDE VIEW

NOTE:
Installation detail for no curb area is to be similar.

* Dimensions may Increase Due to Needed Conduit Depth Requirements

NOT TO SCALE

DESIGN APPROVED	ARIZONA DEPARTMENT OF TRANSPORTATION INTERMODAL TRANSPORTATION DIVISION TRAFFIC SIGNALS AND LIGHTING STANDARD DRAWINGS	REVISION 12/12
SIGNATURE		DRAWING NO. T.S. 6-4
APPROVED FOR DISTRIBUTION	DETECTOR LOOPS AND PIEZOELECTRIC SENSOR DETAILS	SHEET NO. 5 OF 5
ON FILE		