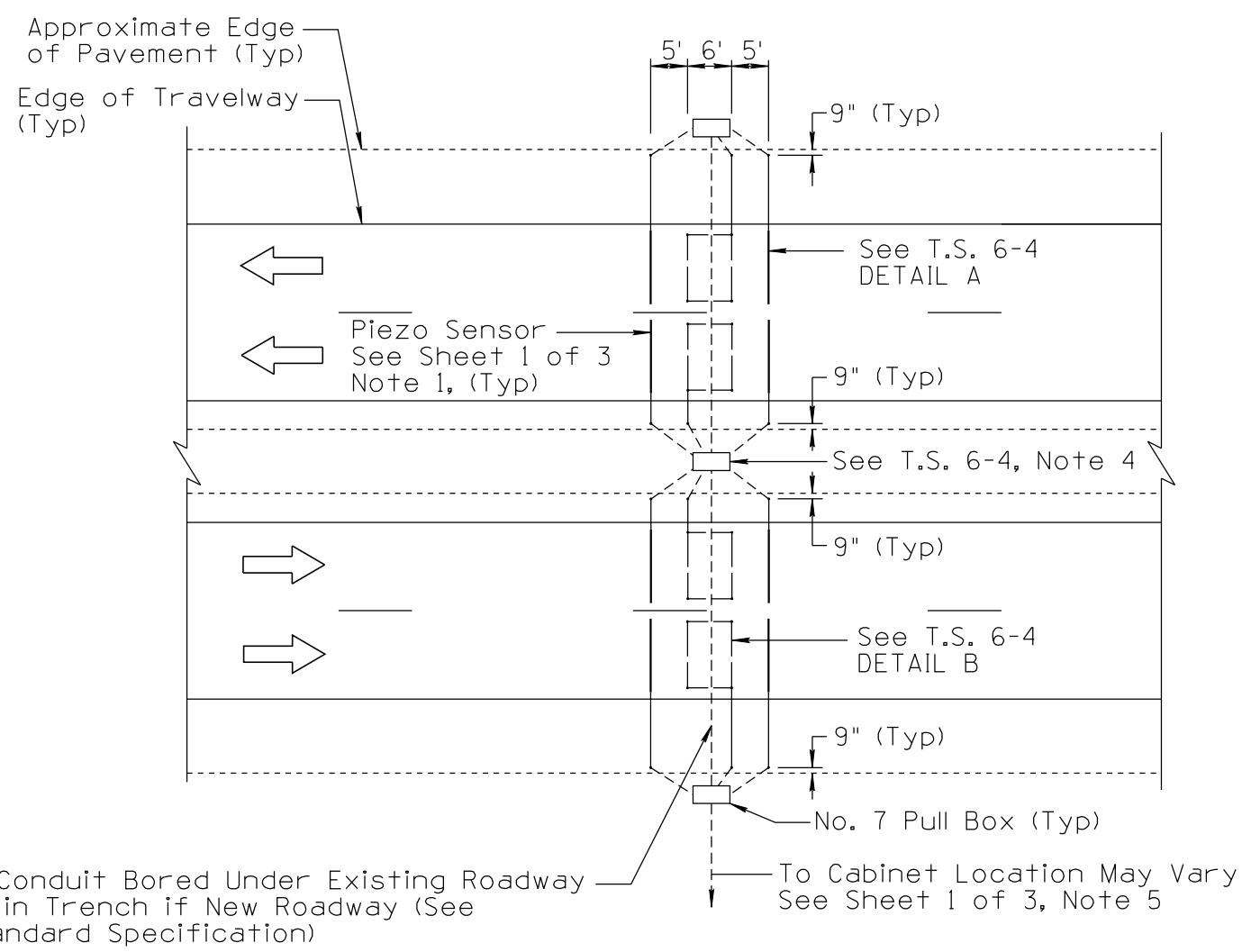
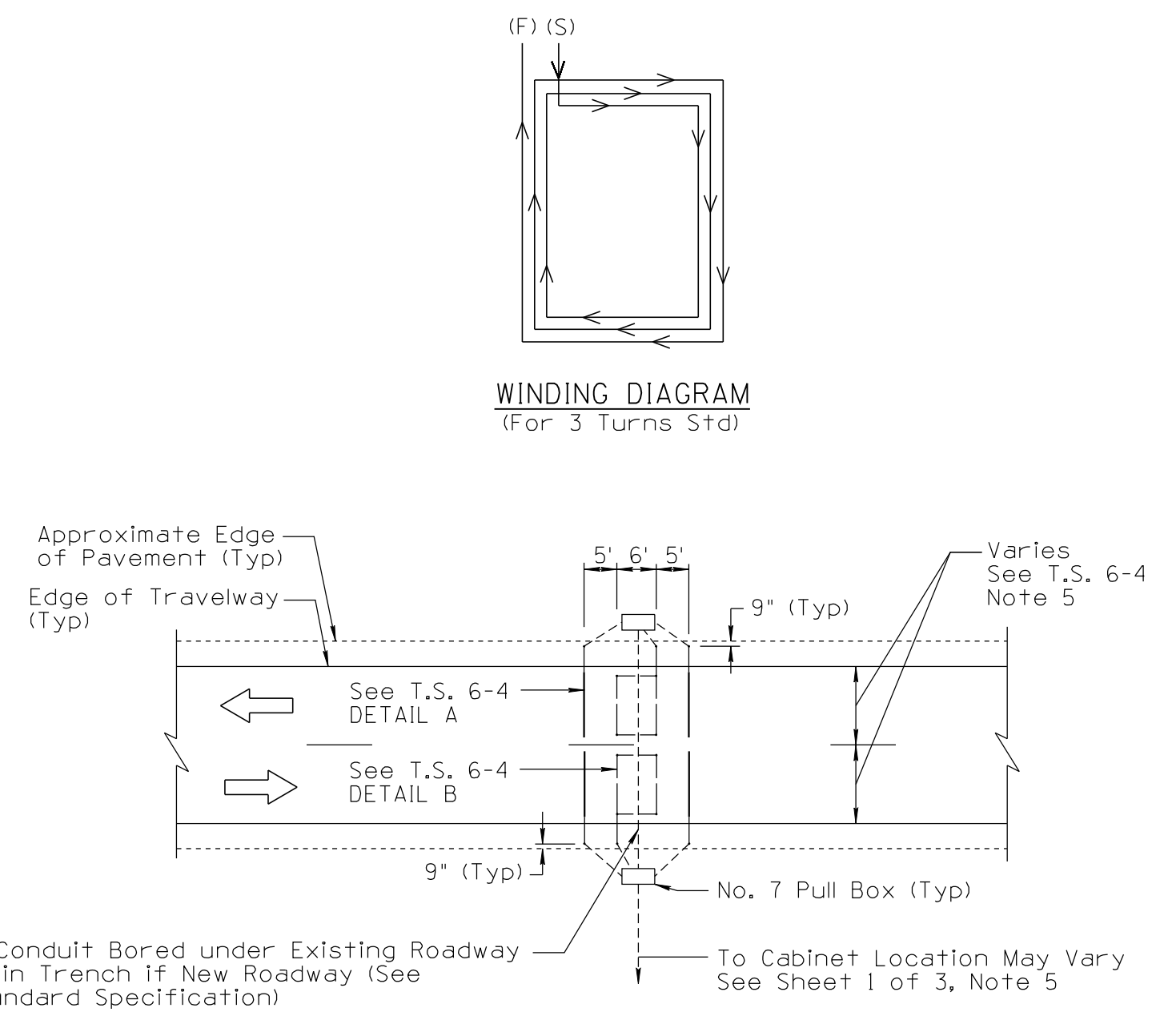


NO.	1	2010 EDITION
MADE BY	C. COLE	
DATE	03/10	
NO.	3	4
DESCRIPTION OF REVISIONS		
MADE BY		
DATE		



VEHICLE CLASSIFICATION INSTALLATION IN MULTI-LANE DIVIDED HIGHWAY



VEHICLE CLASSIFICATION INSTALLATION IN UNDIVIDED HIGHWAY

SEE NOTES ON SHEET 1

DESIGN APPROVED	ARIZONA DEPARTMENT OF TRANSPORTATION INTERMODAL TRANSPORTATION DIVISION TRAFFIC SIGNALS AND LIGHTING STANDARD DRAWINGS	REVISION 03/10
<b>SIGNATURE</b>		DRAWING NO. T.S. 6-2
APPROVED FOR DISTRIBUTION	TYPE SB SPEED/VEHICLE CLASSIFICATION SYSTEMS	SHEET NO. 3 OF 3

NOT TO SCALE