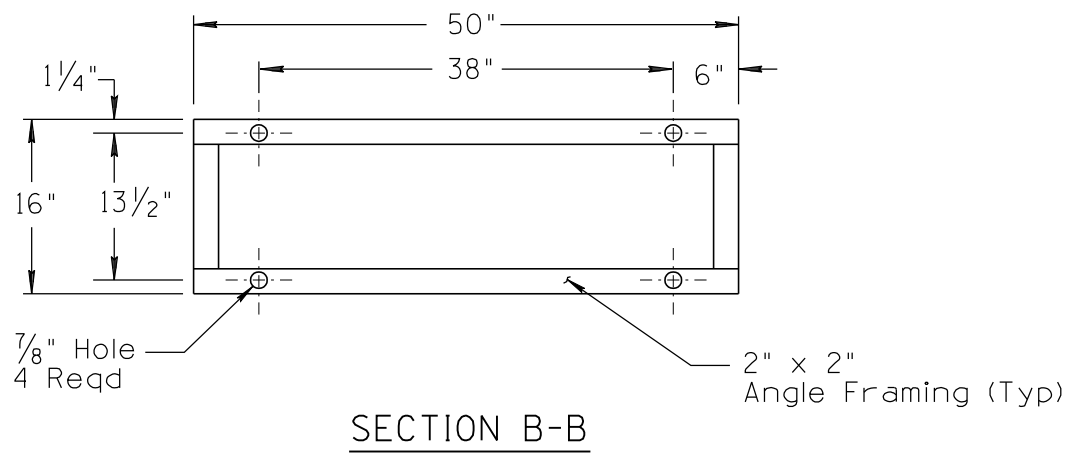
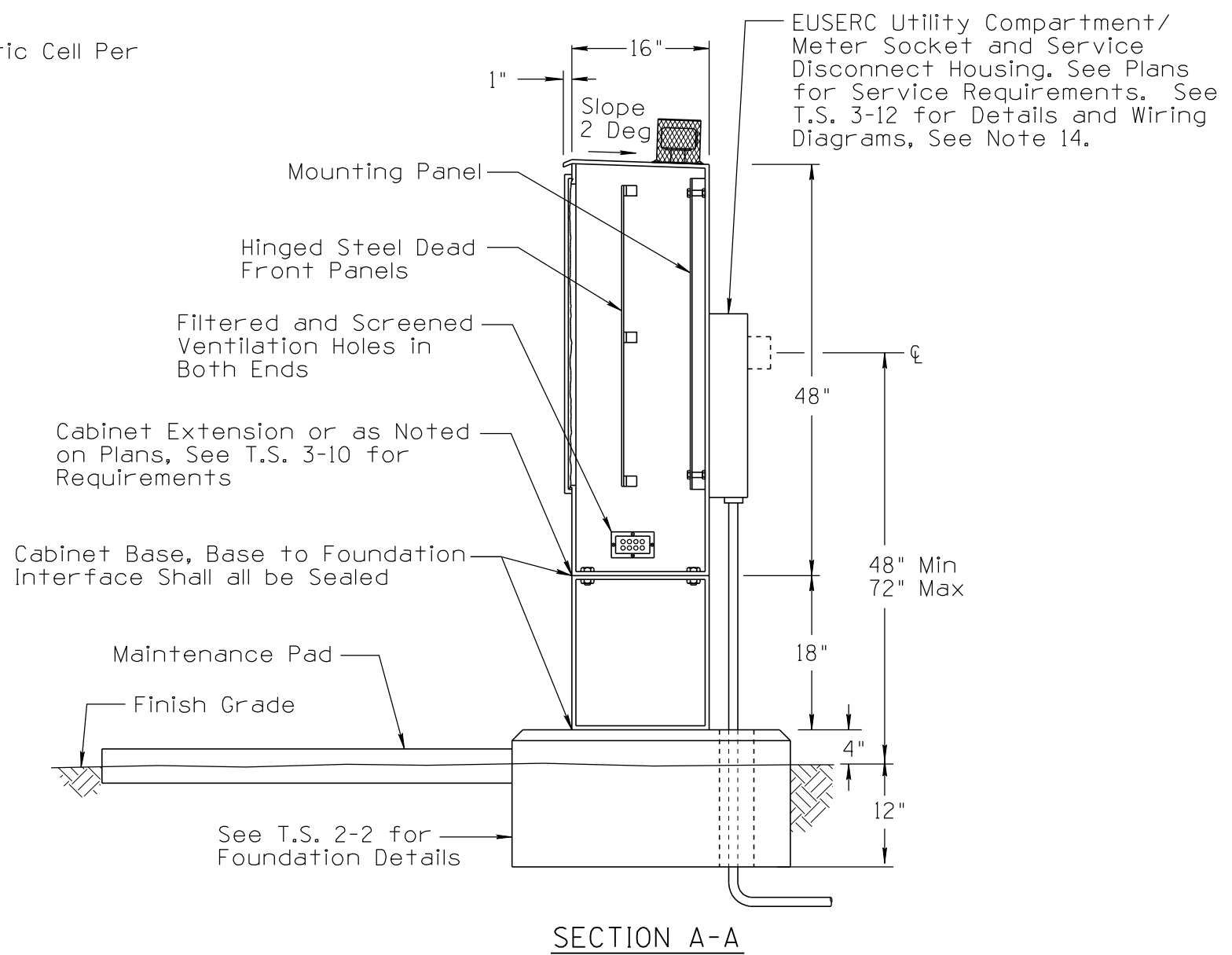
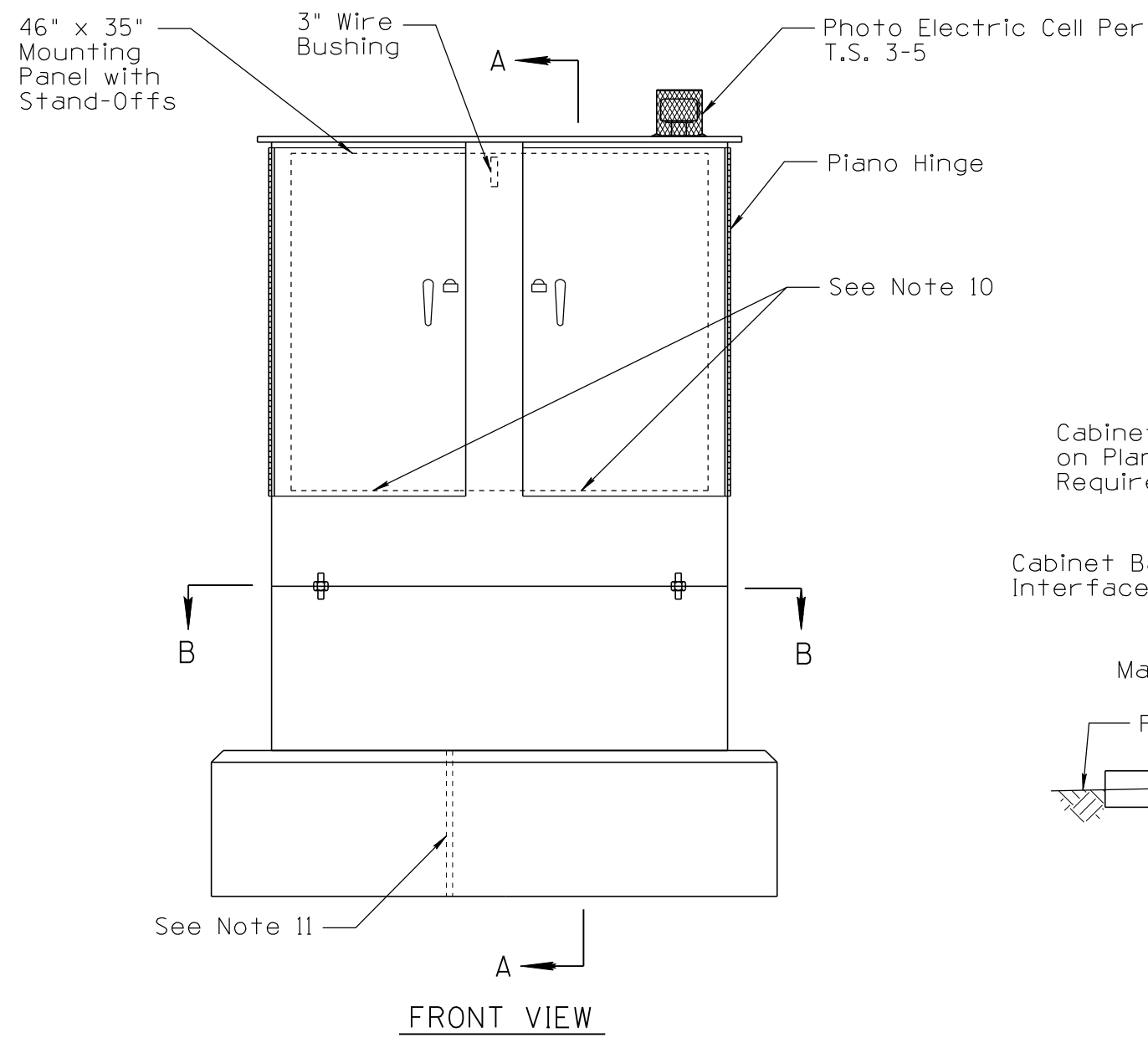


NO	1	2010 EDITION
DESCRIPTION OF REVISIONS		
MADE BY	C. COLE	DATE
		03/10
NO	3	
DESCRIPTION OF REVISIONS		
NO	4	
DESCRIPTION OF REVISIONS		
MADE BY		DATE
		03/10
DATE		



PLAN SYMBOL

DESIGN APPROVED	ARIZONA DEPARTMENT OF TRANSPORTATION INTERMODAL TRANSPORTATION DIVISION TRAFFIC SIGNALS AND LIGHTING STANDARD DRAWINGS	REVISION	03/10
<b>SIGNATURE</b>		DRAWING NO.	T.S. 3-2
APPROVED FOR DISTRIBUTION	TYPE IV LOAD CENTER CABINET	SHEET NO.	1 OF 1
<b>ON FILE</b>			

NOT TO SCALE