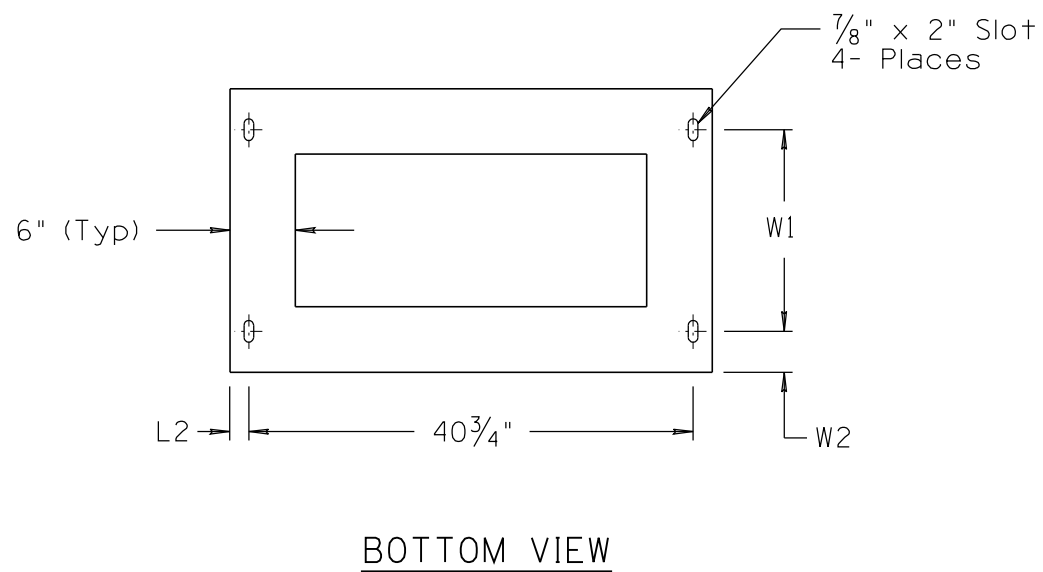
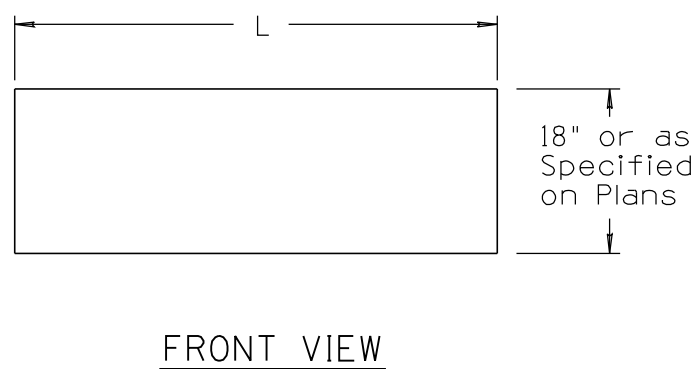
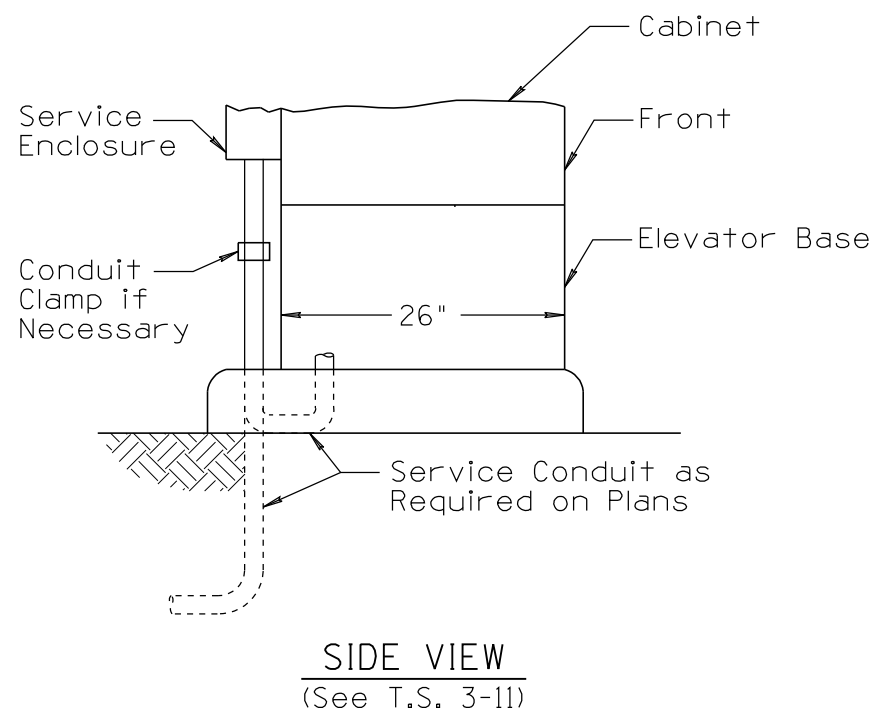
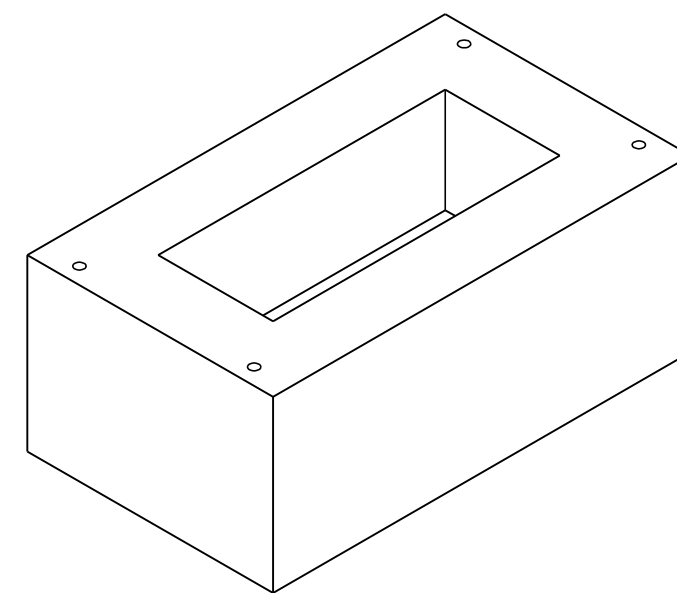
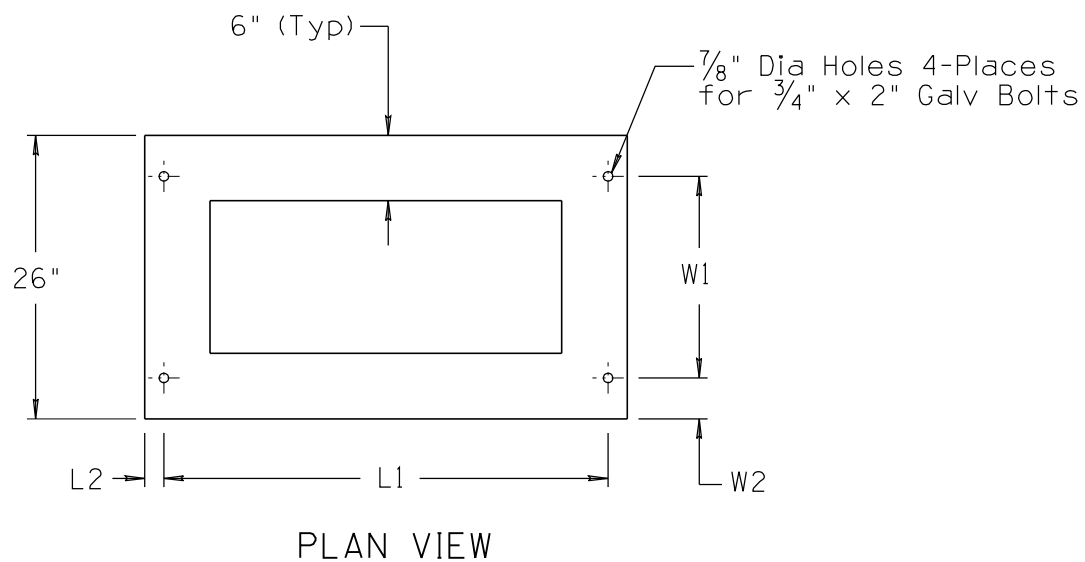


NO. 1 2010 EDITION
 DESCRIPTION OF REVISIONS
 MADE BY C. COLE
 DATE 03/10
 NO. 3 4
 DESCRIPTION OF REVISIONS
 MADE BY
 DATE

CABINET	L	W	L1	L2	W1	W2
Load Center II	25"	16"	19"	3"	13 1/2"	1 1/4"
Load Center IV	50"	16"	38"	6"	13 1/2"	1 3/4"
Control III	30 1/4"	16 3/4"	26 3/4"	1 3/4"	14 1/2"	1 1/8"
Control IV	44 1/4"	26"	40 3/4"	1 3/4"	18 1/2"	3 3/4"



NOTES:

1. Dimensions for the base may have to be modified slightly due to load center and control cabinet manufacturer variations. The contractor, shall verify these dimensions with the manufacturers prior to ordering or fabrication of the extensions
2. Material - 5052-H32 sheet aluminum alloy, thickness 0.190 inch (3/16"), thicker material can be used at the option of the fabricator.
3. All exterior and interior seams shall be continuously welded.
4. The finish of the base shall match the cabinet.
5. Install on Type IV Control Cabinet foundation. Anchor bolts to be furnished with cabinet. See T.S. 2 Series.
6. An elevator bases is to be included with all type IV control cabinets.

NOT TO SCALE

DESIGN APPROVED	ARIZONA DEPARTMENT OF TRANSPORTATION INTERMODAL TRANSPORTATION DIVISION TRAFFIC SIGNALS AND LIGHTING STANDARD DRAWINGS	REVISION 03/10
SIGNATURE		DRAWING NO. T.S. 3-10
APPROVED FOR DISTRIBUTION	CABINET EXTENSION OR ELEVATOR BASE	SHEET NO. 1 OF 1
ON FILE		