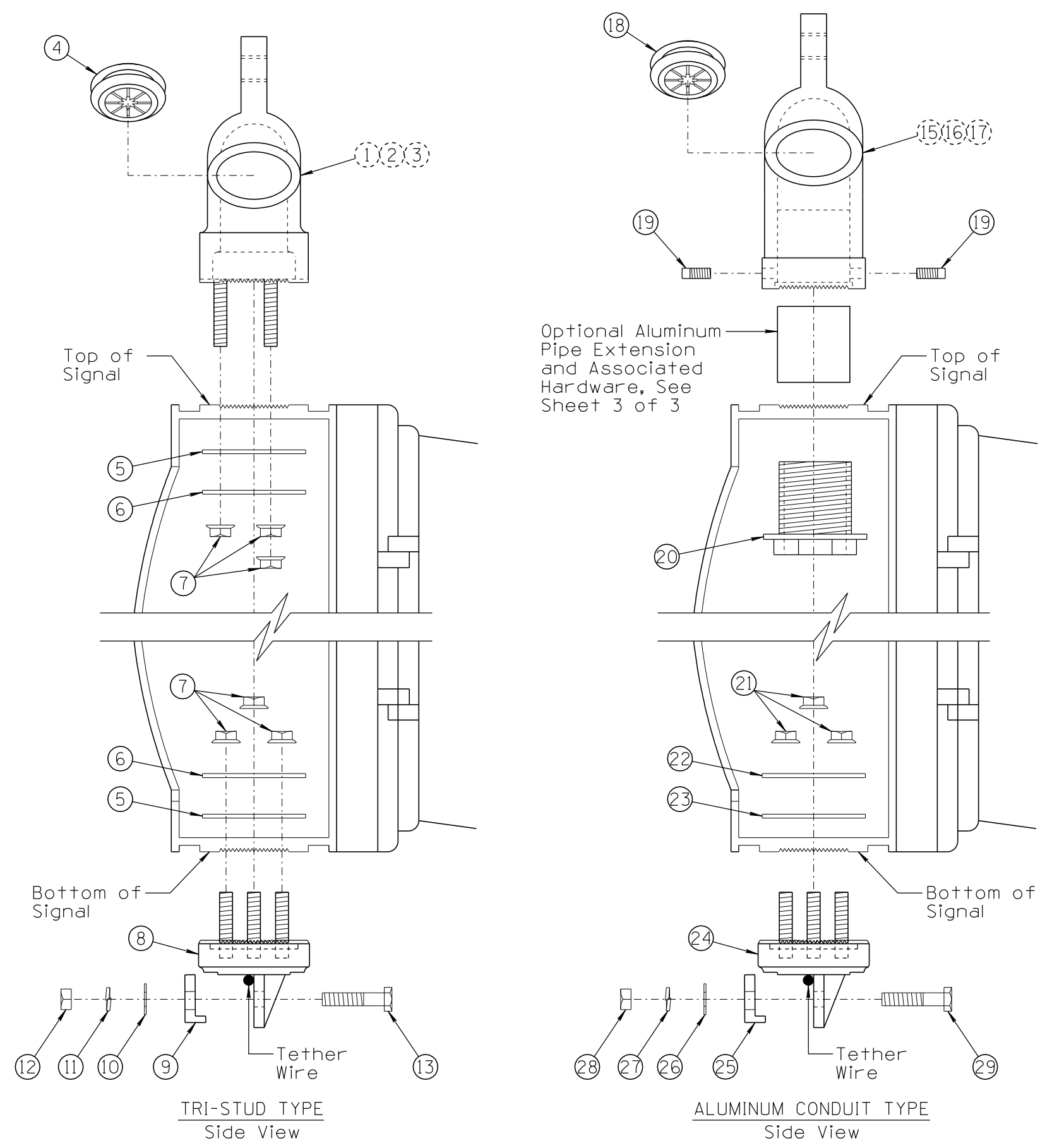


NO. 1 2012 ORIGINAL ISSUE - NEW DRAWING  
 DATE 01/12  
 MADE BY C. COLE  
 DESCRIPTION OF REVISIONS  
 NO. 3 4  
 DATE 01/12  
 MADE BY C. COLE  
 DESCRIPTION OF REVISIONS  
 NO. 1 2



CONDUCTOR CABLE ENTRANCE HEAD AND SIGNAL TETHER CLAMP ASSEMBLY

TRI-STUD TYPE

LIST OF MATERIALS

Item	Qty	Description
①	1	Conductor Cable Entrance Head Type A (See Sheet 2 of 3)
②	1	Conductor Cable Entrance Head Type B (See Sheet 2 of 3)
③	1	Conductor Cable Entrance Head Type C (See Sheet 2 of 3)
④	1	Rubber Grommet (See T.S. 15-3-3)
⑤	2	Rubber Washer (See U.S. 15-3-1)
⑥	2	Mounting Plate (See T.S. 8-4, Sheet 3 of 4)
⑦	6	5/16" Flanged Hex Head Nut
⑧	1	Signal Tether Clamp (See T.S. 15-6-1)
⑨	1	Signal Tether Clamp Locking Plate (See T.S. 15-6-2)
⑩	1	1 1/32" ID x 3/4" OD x 3/64" Thk Flat Washer
⑪	1	2 1/64" ID x 9/16" OD x 5/64" Thk Lock Washer
⑫	1	5/16" Hex Head Nut
⑬	1	5/16" x 1 1/2" Hex Head Bolt, 1" Thread Length

ALUMINUM CONDUIT TYPE

LIST OF MATERIALS

Item	Qty	Description
⑮	1	Conductor Cable Entrance Head Type A (See Sheet 2 of 3)
⑯	1	Conductor Cable Entrance Head Type B (See Sheet 2 of 3)
⑰	1	Conductor Cable Entrance Head Type C (See Sheet 2 of 3)
⑱	1	Rubber Grommet (See T.S. 15-3-3)
⑲	2	1/4" x 1/2" SQ Head Set Screw (See T.S. 15-3-5)
⑳	1	2" x 1 3/4" Conductor Cable Entrance Head Chase Nipple (See T.S. 15-3-4)
㉑	3	5/16" Flanged Hex Head Nut
㉒	1	Mounting Plate (See "T.S. 8-4, Sheet 3 of 4)
㉓	1	Rubber Washer (See "T.S. 15-3-1)
㉔	1	Signal Tether Clamp (See T.S. 15-6-1)
㉕	1	Signal Tether Clamp Locking Plate (See T.S. 15-6-2)
㉖	1	1 1/32" ID x 3/4" OD x 3/64" Thk Flat Washer
㉗	1	2 1/64" ID x 9/16" OD x 5/64" Thk Lock Washer
㉘	1	5/16" Hex Head Nut
㉙	1	5/16" x 1 1/2" Hex Head Bolt, 1" Thread Length

DESIGN APPROVED  
**SIGNATURE**  
 APPROVED FOR DISTRIBUTION  
**ON FILE**

ARIZONA DEPARTMENT OF TRANSPORTATION  
 INTERMODAL TRANSPORTATION DIVISION  
 TRAFFIC SIGNALS AND LIGHTING  
 STANDARD DRAWINGS  
 SPAN WIRE SIGNALS AND LIGHTING  
 SIGNAL ASSEMBLY DETAILS

REVISION 01/12  
 DRAWING NO. T.S. 15-3  
 SHEET NO. 1 OF 3

NOT TO SCALE