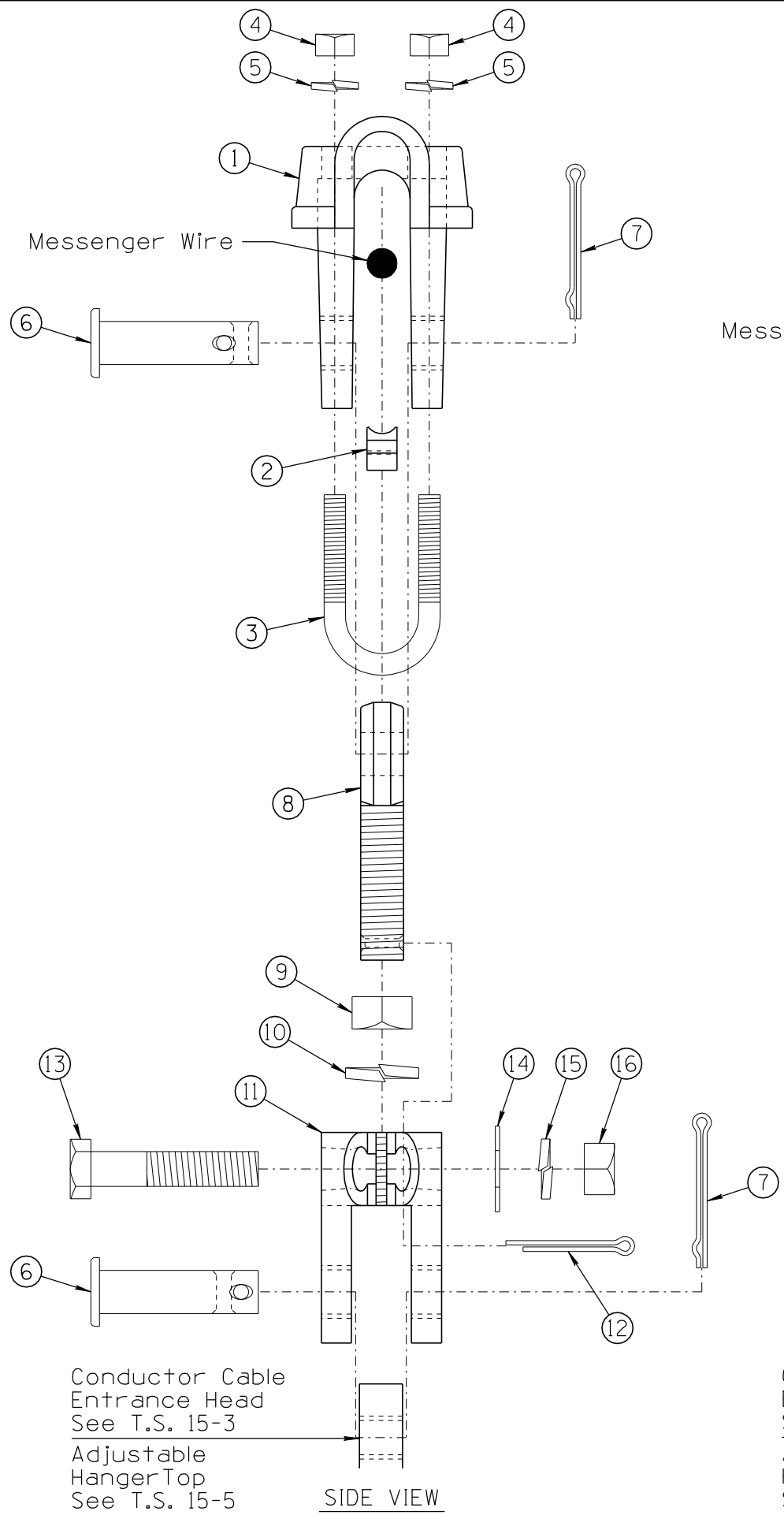
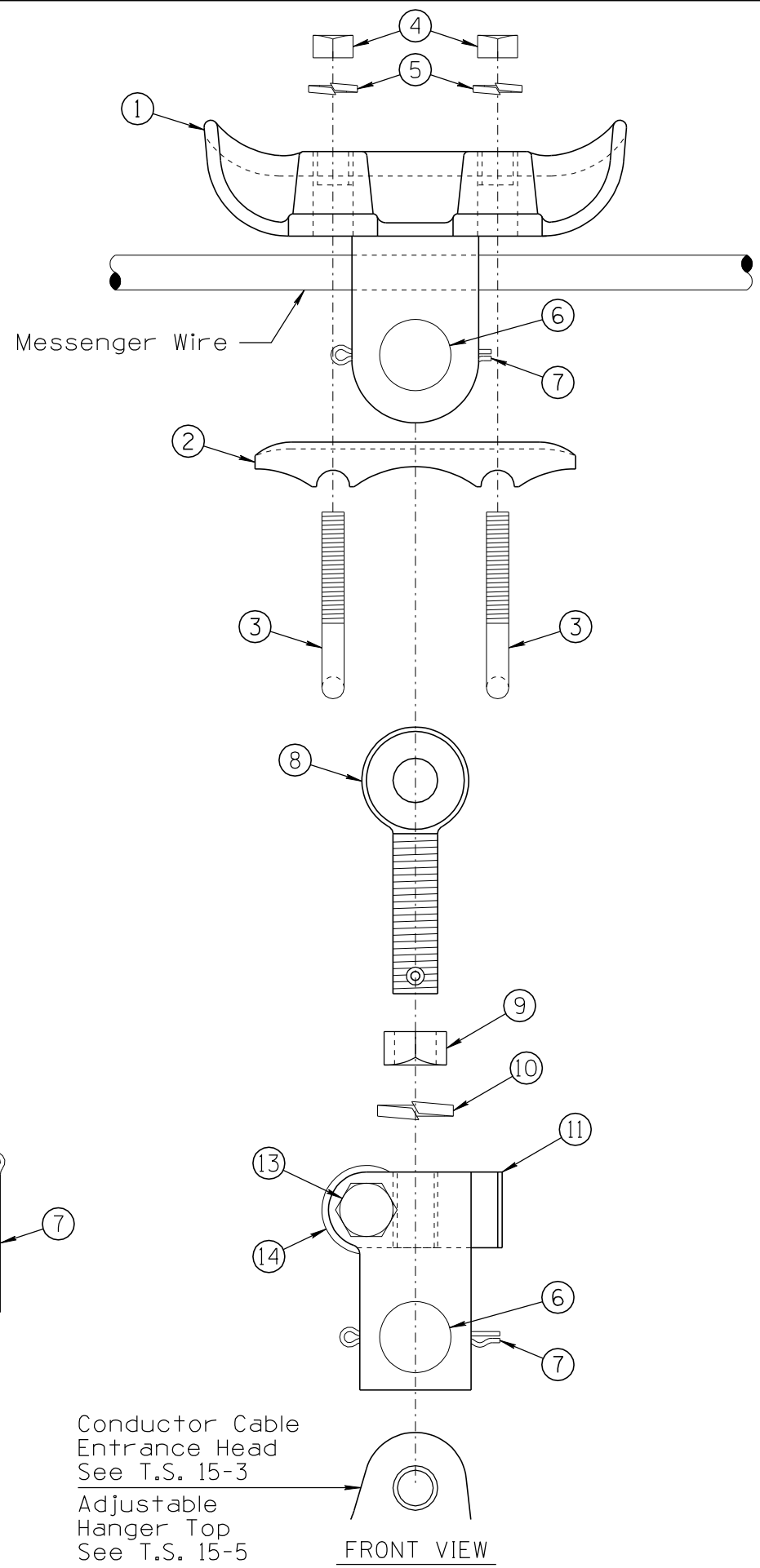


DATE: 01/12  
 MADE BY: C. COLE  
 NO: 3, 4  
 DESCRIPTION OF REVISIONS: 1 2012 ORIGINAL ISSUE - NEW DRAWING



Conductor Cable Entrance Head  
 See T.S. 15-3  
 Adjustable Hanger Top  
 See T.S. 15-5

SIDE VIEW

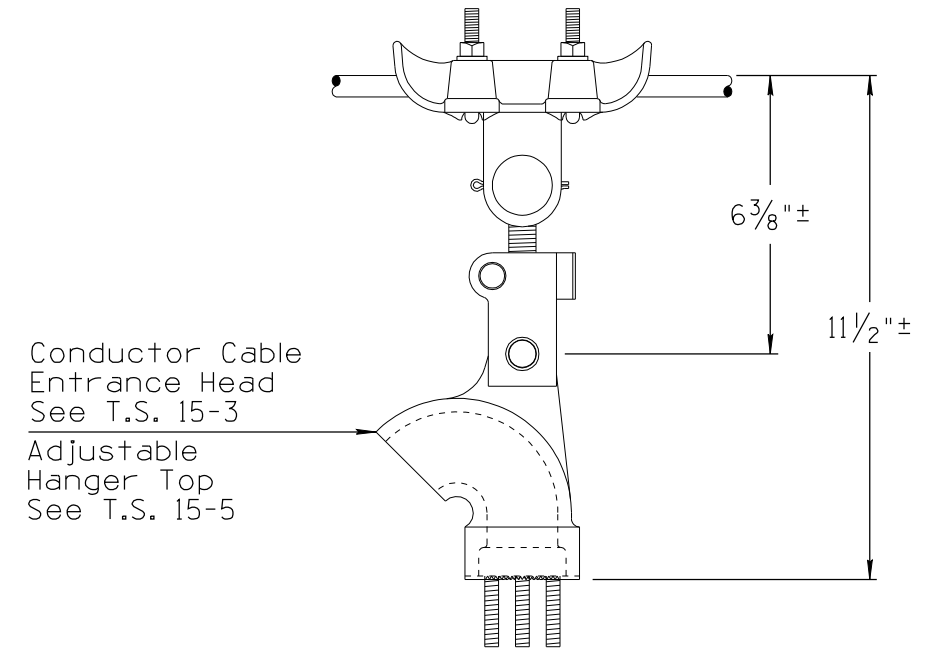


Conductor Cable Entrance Head  
 See T.S. 15-3  
 Adjustable Hanger Top  
 See T.S. 15-5

FRONT VIEW

HANGER AND BALANCE ADJUSTER ASSEMBLY

LIST OF MATERIALS		
Itm	Qty	Description
①	1	Span Wire Hanger
②	1	Span Wire Hanger Clamp
③	2	5/16" x 1/16" x 2 5/16" U-Bolt, 1 9/16" Thread Length
④	4	5/16" Hex Head Nut
⑤	4	3/8" ID x 1/16" OD x 3/32" Thk Lock Washer
⑥	1	Clevis Pin
⑦	2	1/8" Dia x 2" Hump Cotter Pin
⑧	1	Threaded Eye Bolt
⑨	1	5/8" Hex Head Nut
⑩	1	5/8" ID x 1/16" OD x 5/32" Thk Lock Washer
⑪	1	Balance Adjuster
⑫	1	3/32" Dia x 1 5/16" Cotter Pin
⑬	1	1/2" x 2 7/16" Hex Head Bolt, 1 3/8" Threaded
⑭	1	1 7/32" ID x 1 3/4" OD x 1/16" Thk Flat Washer
⑮	1	1/2" ID x 7/8" OD x 1/8" Thk Lock Washer
⑯	1	1/2" Hex Head Nut



Conductor Cable Entrance Head  
 See T.S. 15-3  
 Adjustable Hanger Top  
 See T.S. 15-5

ASSEMBLED VIEW

NOT TO SCALE

DESIGN APPROVED <b>SIGNATURE</b>	ARIZONA DEPARTMENT OF TRANSPORTATION INTERMODAL TRANSPORTATION DIVISION TRAFFIC SIGNALS AND LIGHTING STANDARD DRAWINGS	REVISION 01/12
APPROVED FOR DISTRIBUTION <b>ON FILE</b>	SPAN WIRE SIGNALS AND LIGHTING HANGER AND BALANCE ADJUSTER TYPICAL DETAILS	DRAWING NO. T.S. 15-2
		SHEET NO. 1 OF 1