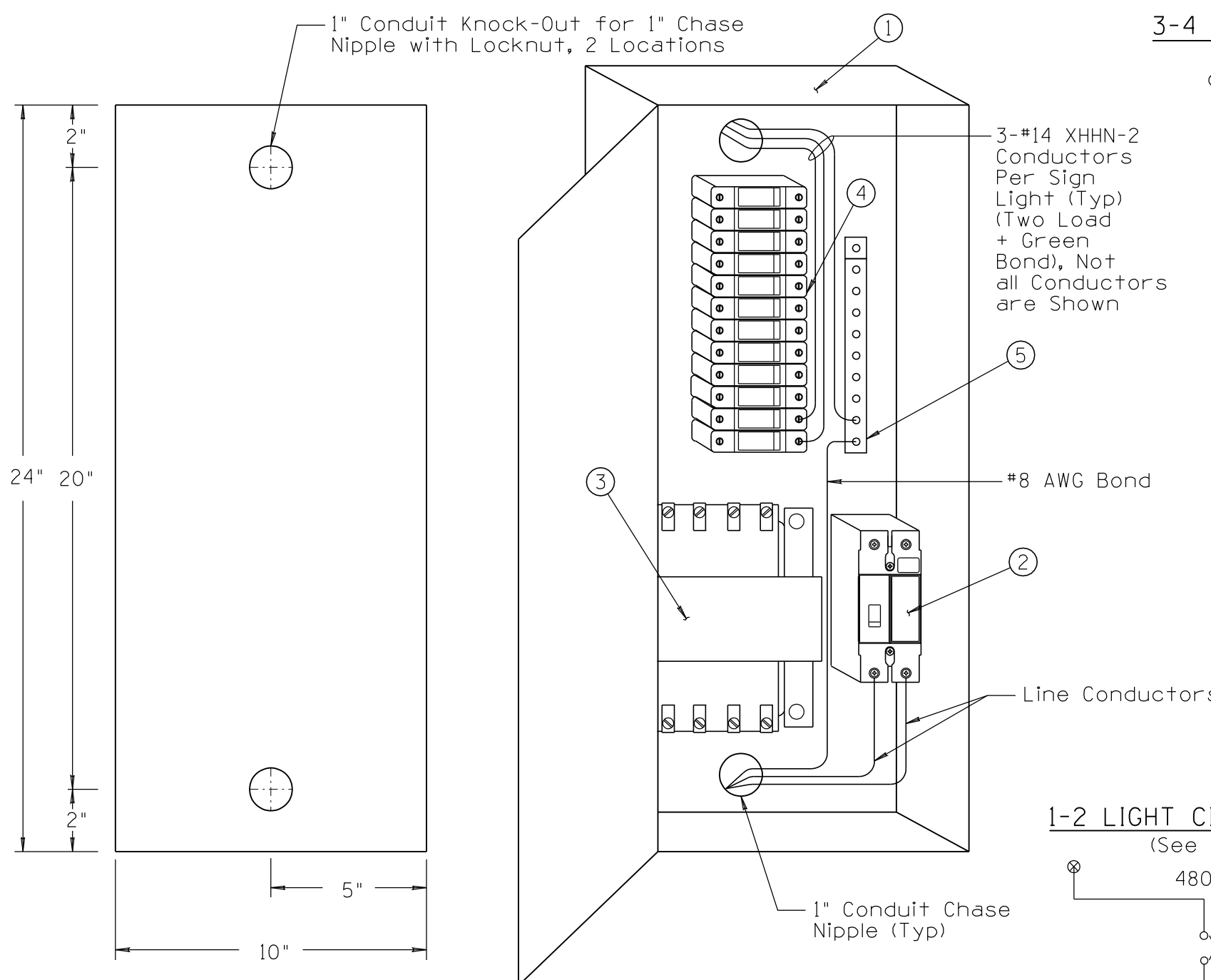
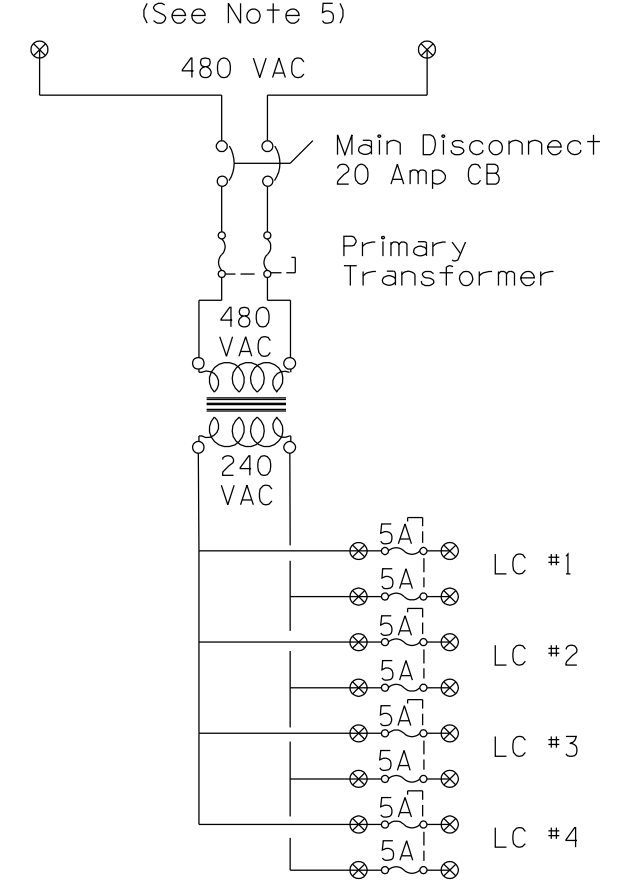


DATE: \_\_\_\_\_ MADE BY: \_\_\_\_\_ NO: 3 4 DATE: 03/10 MADE BY: C. COLE NO: 1 2010 EDITION DESCRIPTION OF REVISIONS: \_\_\_\_\_



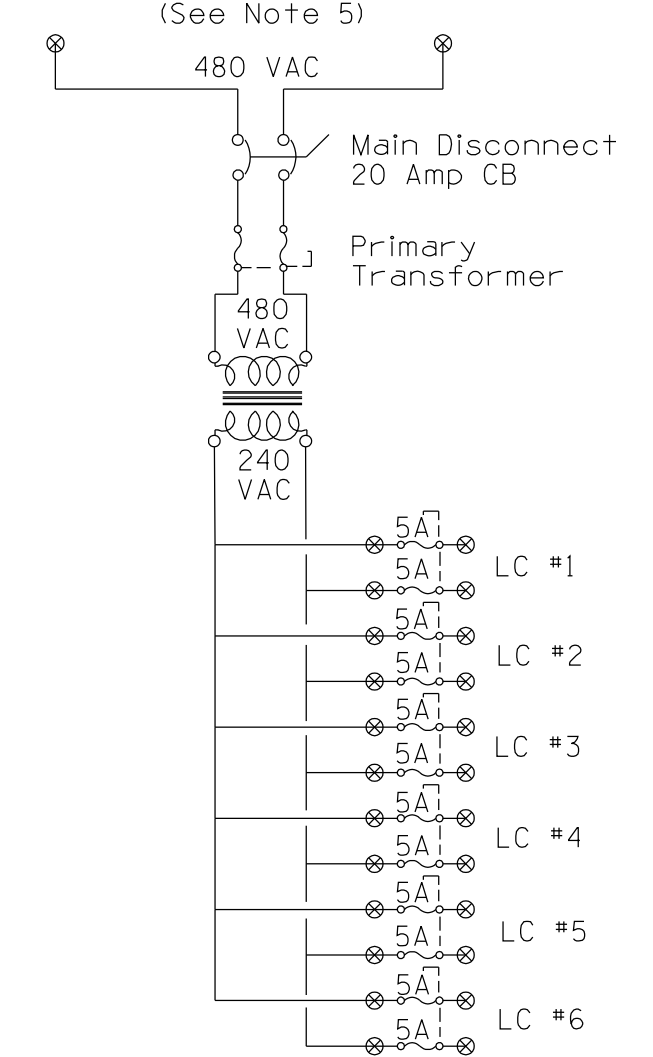
### 3-4 LIGHT CIRCUIT (LC) DESIGN

(See Note 5)



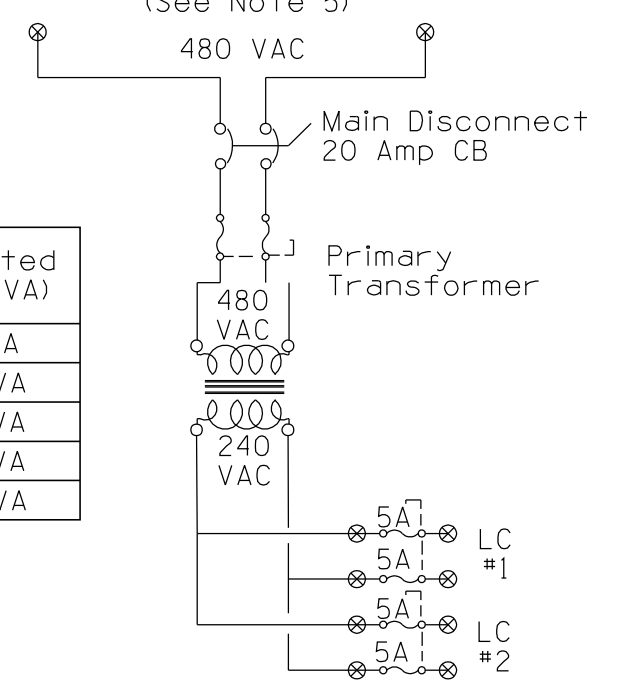
### 5-6 LIGHT CIRCUIT (LC) DESIGN

(See Note 5)



### 1-2 LIGHT CIRCUIT DESIGN

(See Note 5)



### NOTES:

1. Fuse panel access door shall be padlockable.
2. See project plans for all other sign lighting electrical requirements.
3. All components on 480V. circuits shall be rated for 600V. operation. All other components shall be rated for 250V operation.
4. Transformer ratings is based on a Sign light load of 90 watts per light, or .375 Amp @ 240 Volts.
5. Only install fuse sets and conductors for sign lights actually installed, unless otherwise specified.
6. Panel shall have removable dead front.
7. Fuses are to be time delay that have a voltage rating of 600VAC and a current interruption rating of 100KA RMS symmetrical minimum.

No.	Qty 2 LT	Qty 4 LT	Qty 6 * LT	Description
①	1	1	1	10" X 24" Custom NEMA 3r Enclosure
②	1	1	1	20 Amp Two-Pole Circuit Breaker
③			1	1000 VA Transformer
	1			500 VA Transformer
④			7	Fuse Holders for Class CL or 5AG Midget
		5		Fuse Holders for Class CL or 5AG Midget
⑤	3			Fuse Holders for Class CL or 5AG Midget
	1	1	1	Ground Bus Bar (Min 10 Positions)

No. of Lights	Estimated Load (VA)
2	180 VA
4	360 VA
6	540 VA
8	720 VA
10	900 VA

\* Additional Sign Light Circuits Require a Check of the Transformer Capacity and Additional Sets of Fuse Holder Assemblies, and sets of conductors.

NOT TO SCALE

DESIGN APPROVED	ARIZONA DEPARTMENT OF TRANSPORTATION INTERMODAL TRANSPORTATION DIVISION TRAFFIC SIGNALS AND LIGHTING STANDARD DRAWINGS	REVISION 03/10
<b>SIGNATURE</b>		DRAWING NO. T.S. 13-2
APPROVED FOR DISTRIBUTION	<b>ON FILE</b>	SHEET NO. 1 OF 1