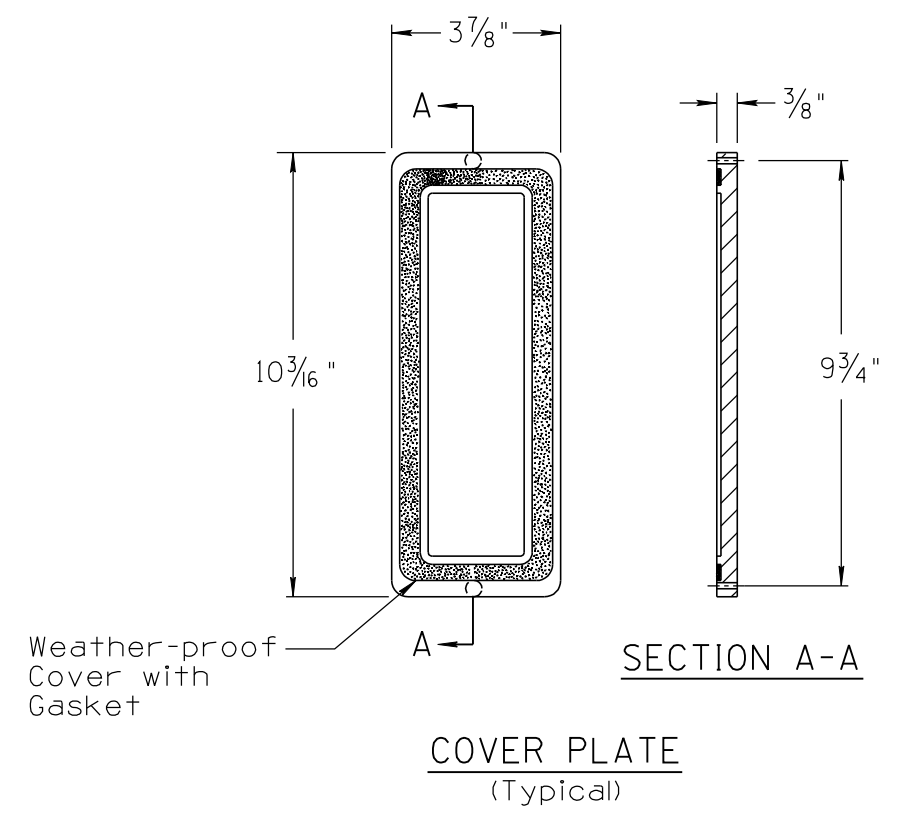
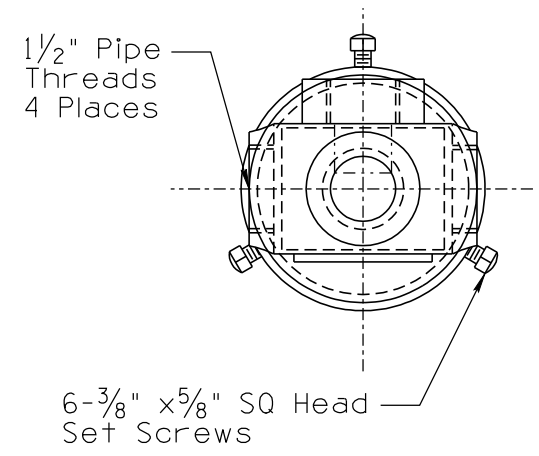
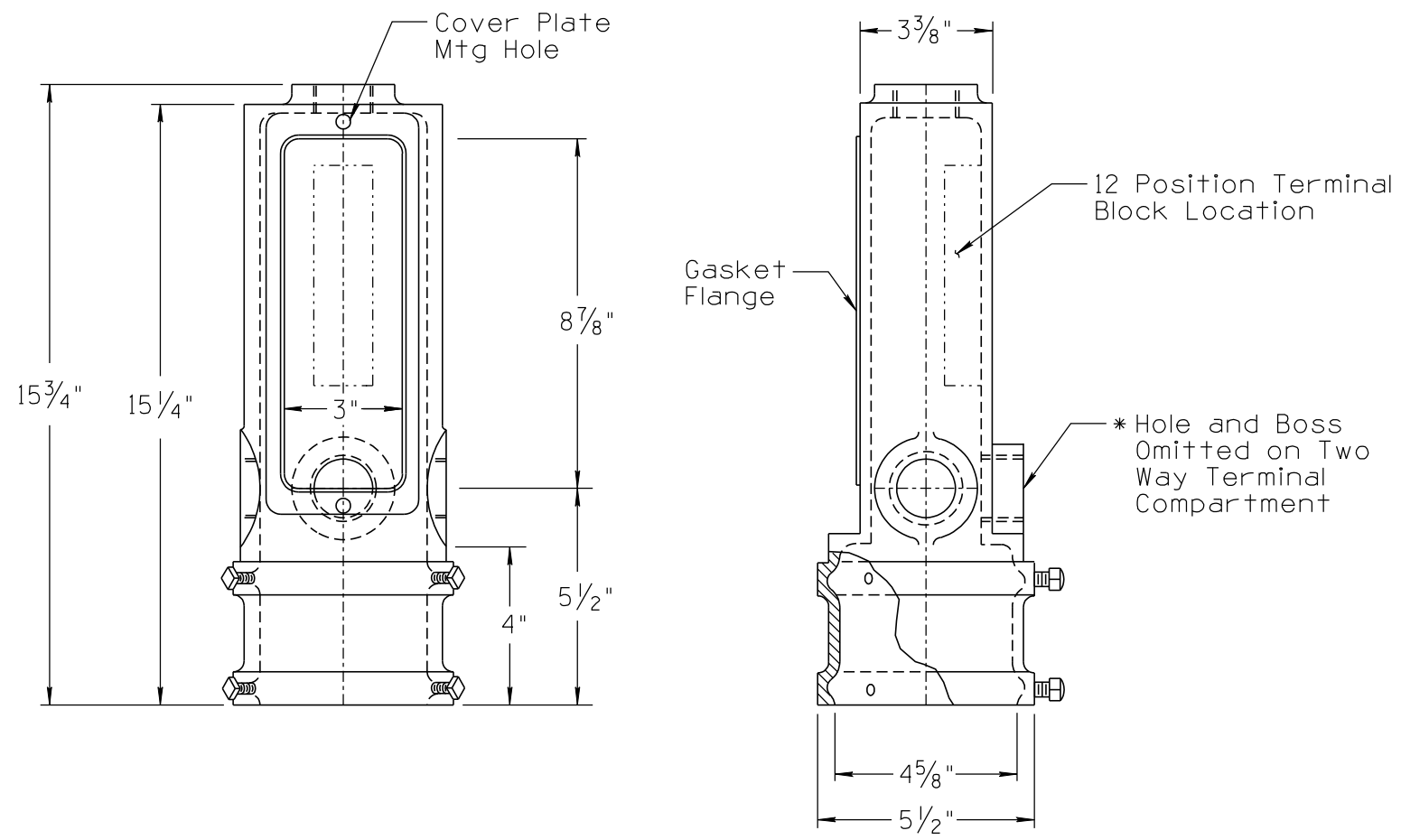
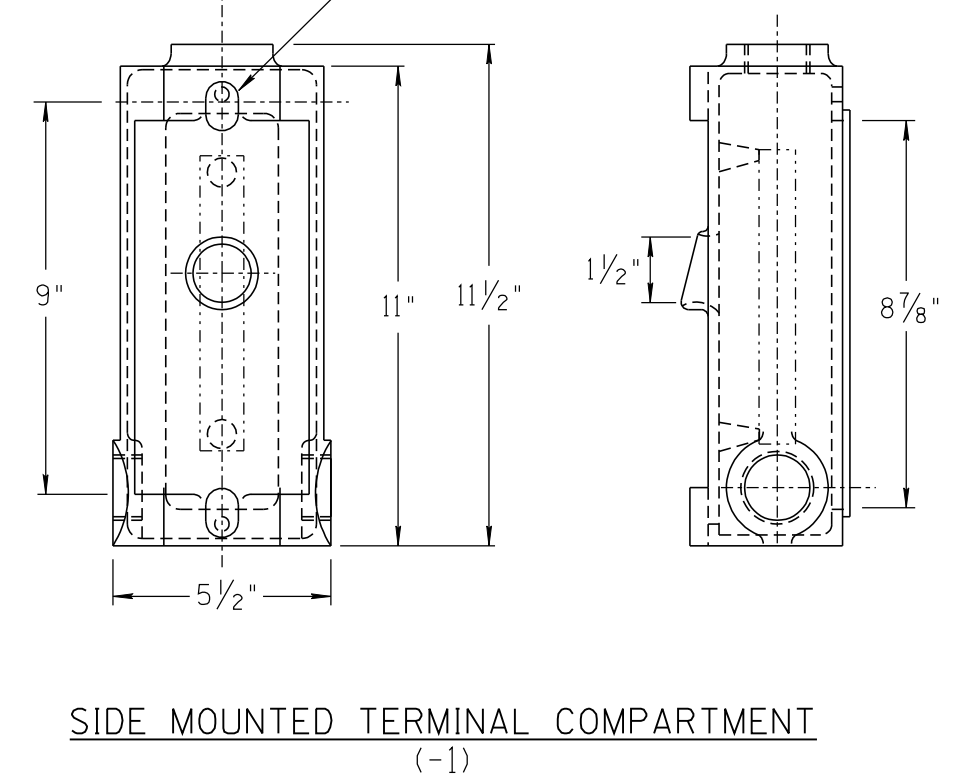
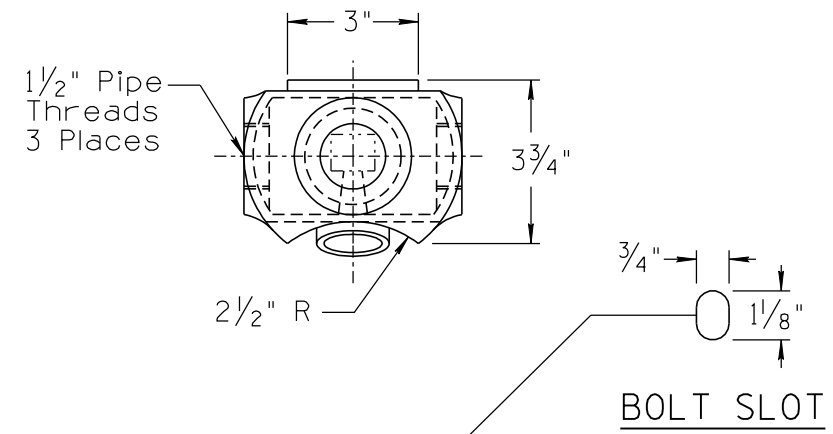


NO	1	2010 EDITION
DESCRIPTION OF REVISIONS		
MADE BY	C. COLE	
DATE	03/10	
NO	3	4
DESCRIPTION OF REVISIONS		
MADE BY		
DATE		
NO		
DESCRIPTION OF REVISIONS		
MADE BY		
DATE		



- NOTES:**
1. Cover plate shall be attached with 2 machine screws, 10-32 x 3/4".
 2. Material - Bronze.
 3. Painted or powder coated color and finish shall match mounting assemblies, per T.S. 9 Series.
 4. The appearance of terminal compartments can vary as long as they achieve required function and are interchangeable.



POLE TOP TERMINAL COMPARTMENT
 * 2 Way (-2)
 3 Way (-3)

NOT TO SCALE

DESIGN APPROVED	ARIZONA DEPARTMENT OF TRANSPORTATION INTERMODAL TRANSPORTATION DIVISION TRAFFIC SIGNALS AND LIGHTING STANDARD DRAWINGS	REVISION	03/10
SIGNATURE		DRAWING NO.	T.S. 10-4
APPROVED FOR DISTRIBUTION	TERMINAL COMPARTMENT, SIDE MOUNTED AND POLE TOP MOUNTED	SHEET NO.	1 OF 1
ON FILE			