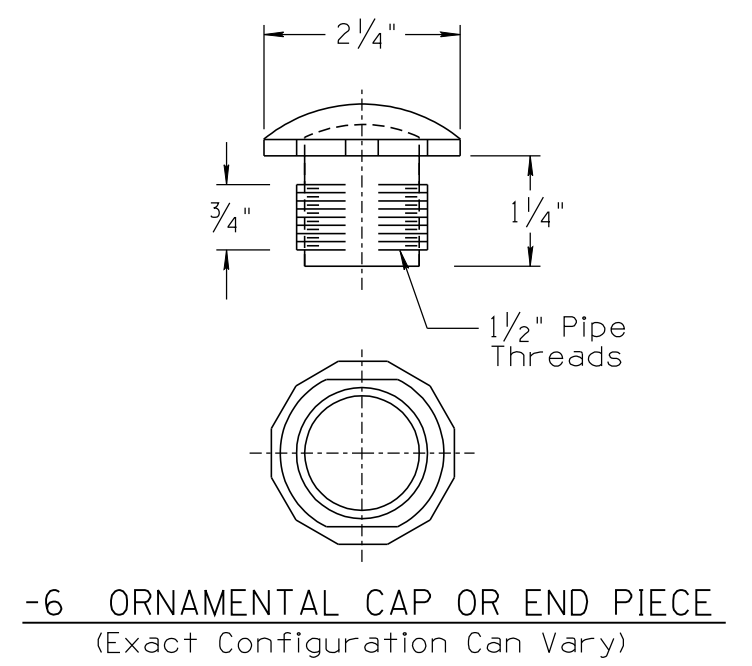
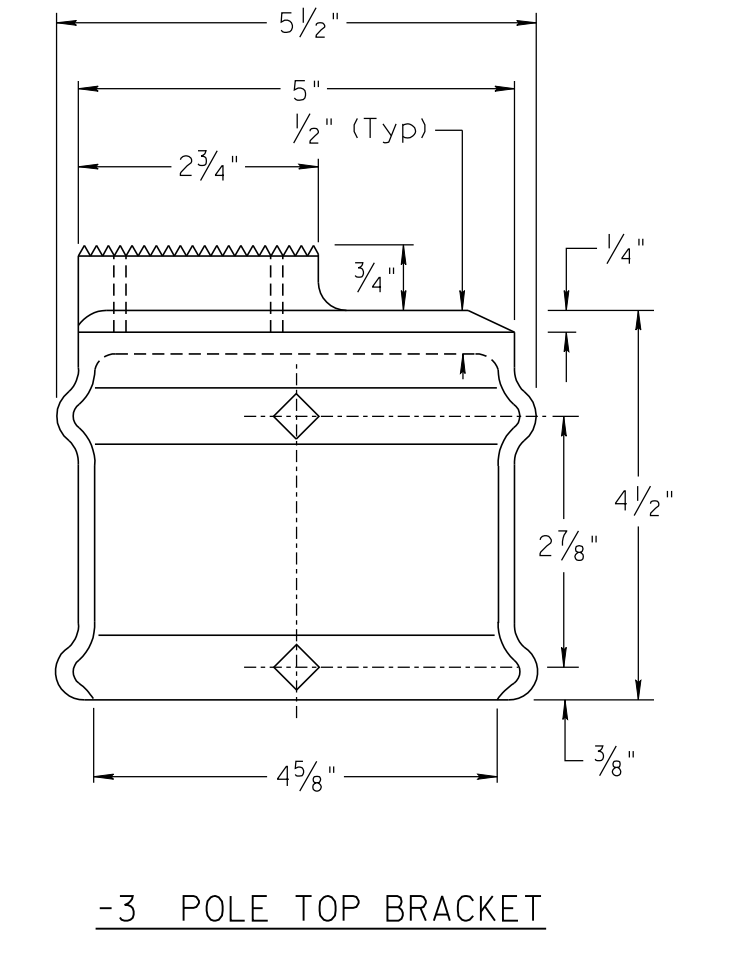
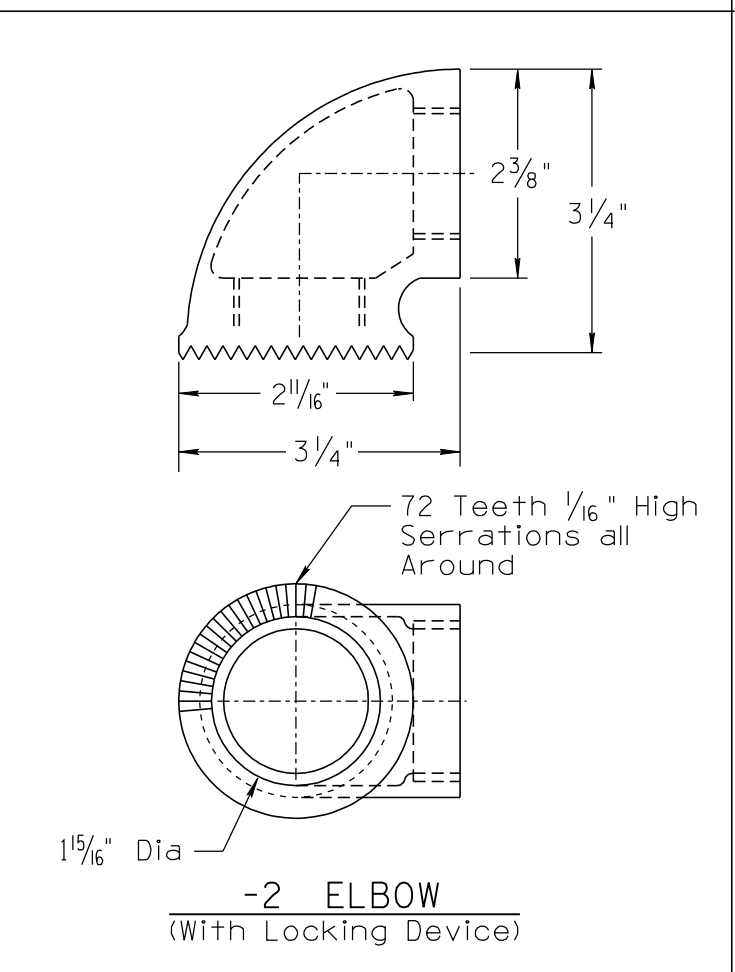
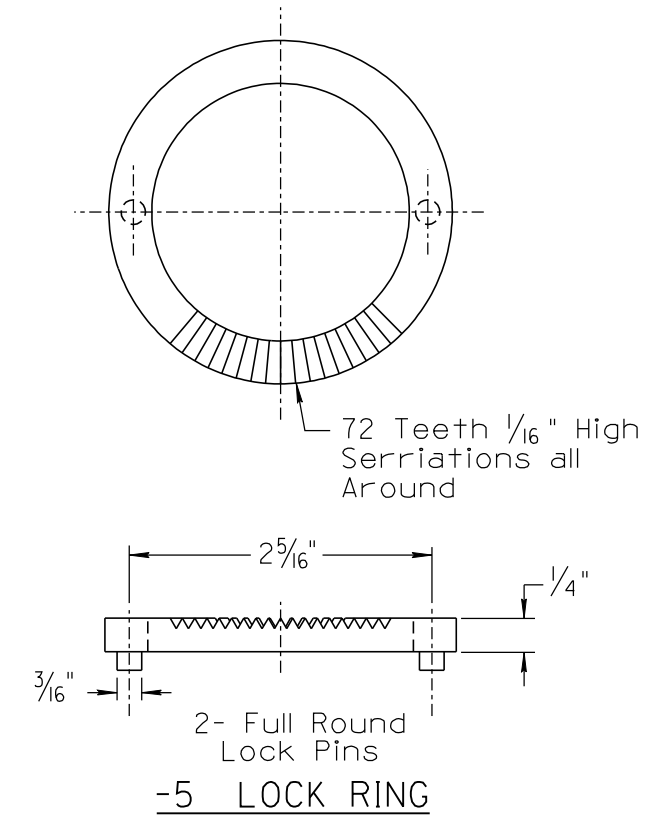
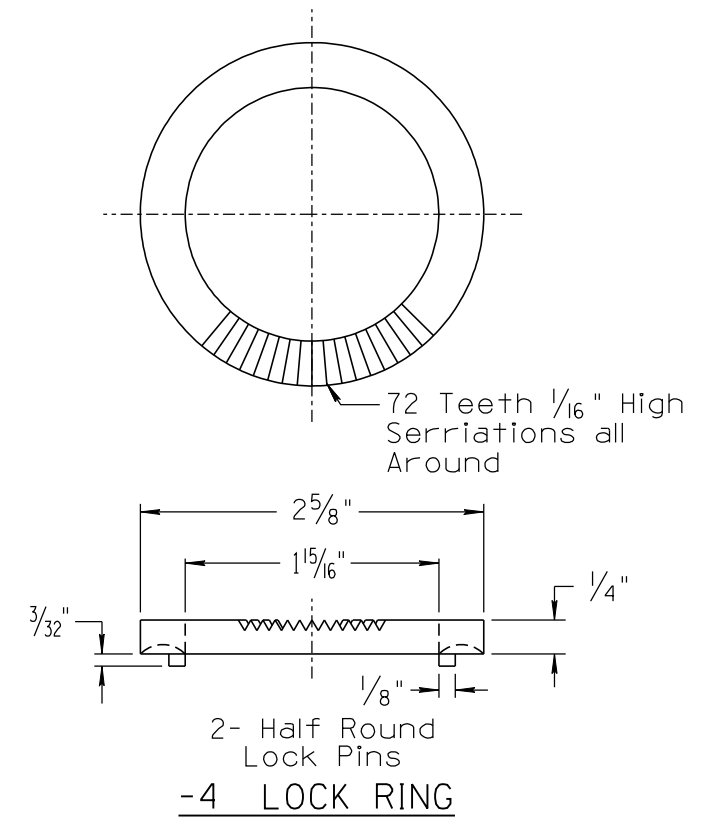
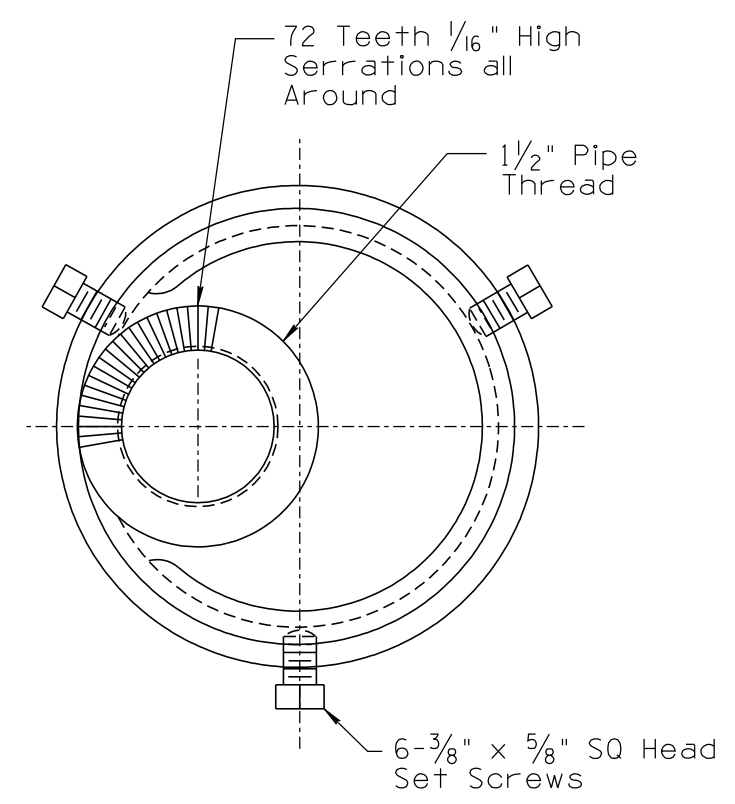
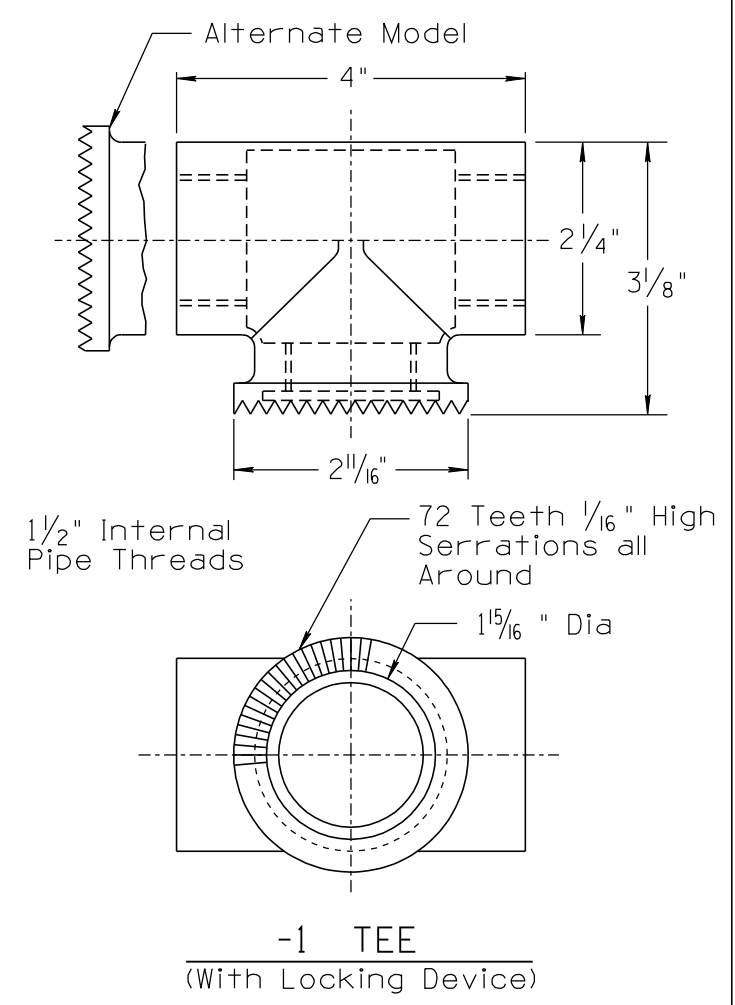


DATE: _____ MADE BY: _____ NO: 3 4 DATE: 03/10 MADE BY: C. COLE NO: 1 2 DATE: 03/10 MADE BY: C. COLE NO: 3 4



NOTES:

1. Material
 1. Tee, Ferrous
 2. Elbow, Ferrous
 3. Bracket, Bronze
 4. Lock Ring, Bronze
 5. Lock Ring, Bronze
 6. Cap, Aluminum
2. Painted or powder coated color and finish shall match mounting assemblies, per T.S. 9 Series.
3. Parts can vary in there appearance as long as they achieve required function and are interchangeable.
4. All set screws shall have corrosion resistant finish.

DESIGN APPROVED	ARIZONA DEPARTMENT OF TRANSPORTATION INTERMODAL TRANSPORTATION DIVISION TRAFFIC SIGNALS AND LIGHTING STANDARD DRAWINGS	REVISION 03/10
SIGNATURE		DRAWING NO. T.S. 10-1
APPROVED FOR DISTRIBUTION	MISCELLANEOUS SIGNAL MOUNTING PARTS	SHEET NO. 1 OF 1

NOT TO SCALE