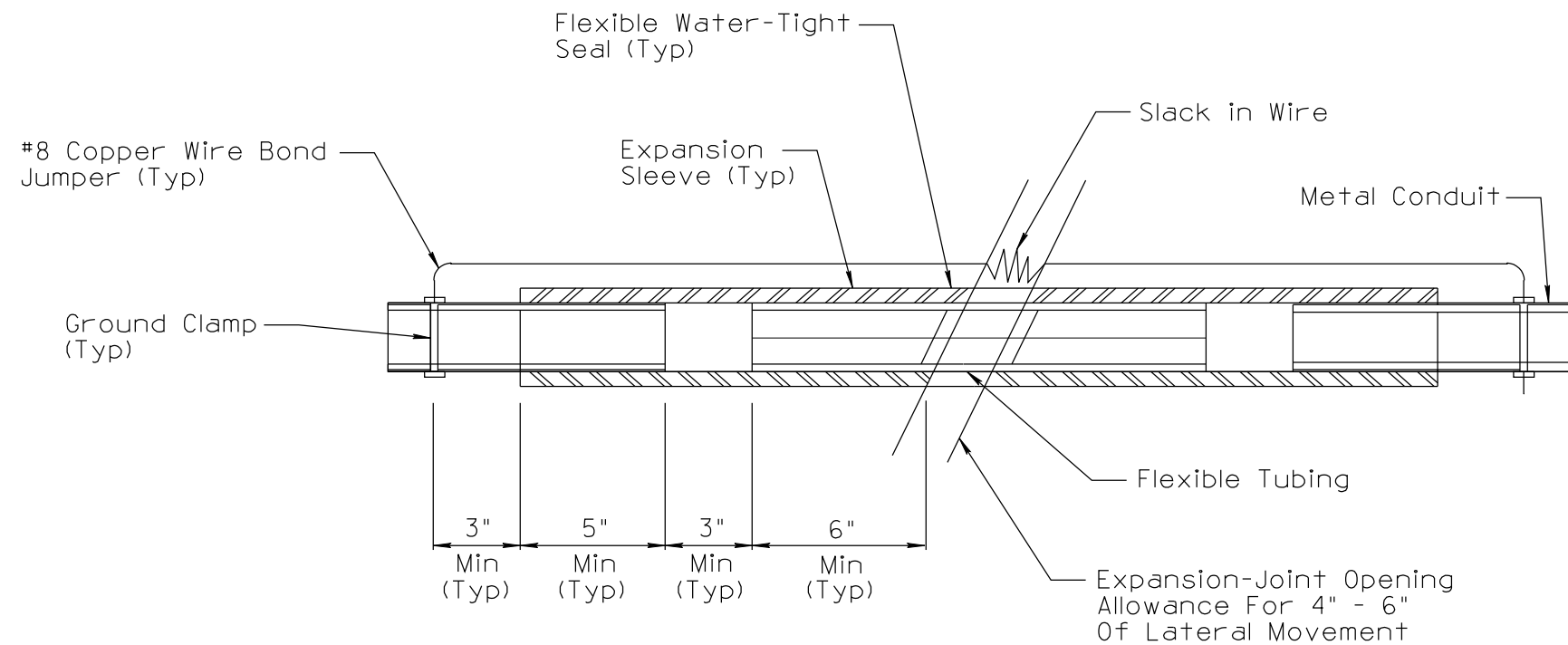


NO	DESCRIPTION OF REVISIONS	DATE	MADE BY
1	2010 EDITION	03/10	C. COLE
2	2011 EDITION - UPDATED GRAMMER	09/11	C. COLE
3			
4			



**METAL CONDUIT EXPANSION COUPLING DETAIL**  
 (For Rigid Metal or Intermediate Metal Conduits Only)

**NOTES:**

1. All materials and construction shall conform to the requirements of Specifications.
2. All conduit crossings of bridge or structure joints shall include an appropriate and approved conduit expansion-and-contraction fitting.
3. The fitting used shall be per the type and kind needed for the application. The fitting shown here is intended to be an example only.
4. The weatherproof and concrete-tight fitting shall have movement ratings that match the movement ratings of the bridge or structure joints. This includes matching which conduit run end (static or dynamic or dynamic-to-dynamic) is expected to move.
5. See plans for actual conduit type and routing.
6. The fitting shall be third-party certified (UL, CSA, or equal) for wet or dry locations.

NOT TO SCALE

DESIGN APPROVED	ARIZONA DEPARTMENT OF TRANSPORTATION INTERMODAL TRANSPORTATION DIVISION TRAFFIC SIGNALS AND LIGHTING STANDARD DRAWINGS	REVISION 09/11
<b>SIGNATURE</b>		DRAWING NO. T.S. 1-5
APPROVED FOR DISTRIBUTION	<b>ON FILE</b>	SHEET NO. 2 OF 2