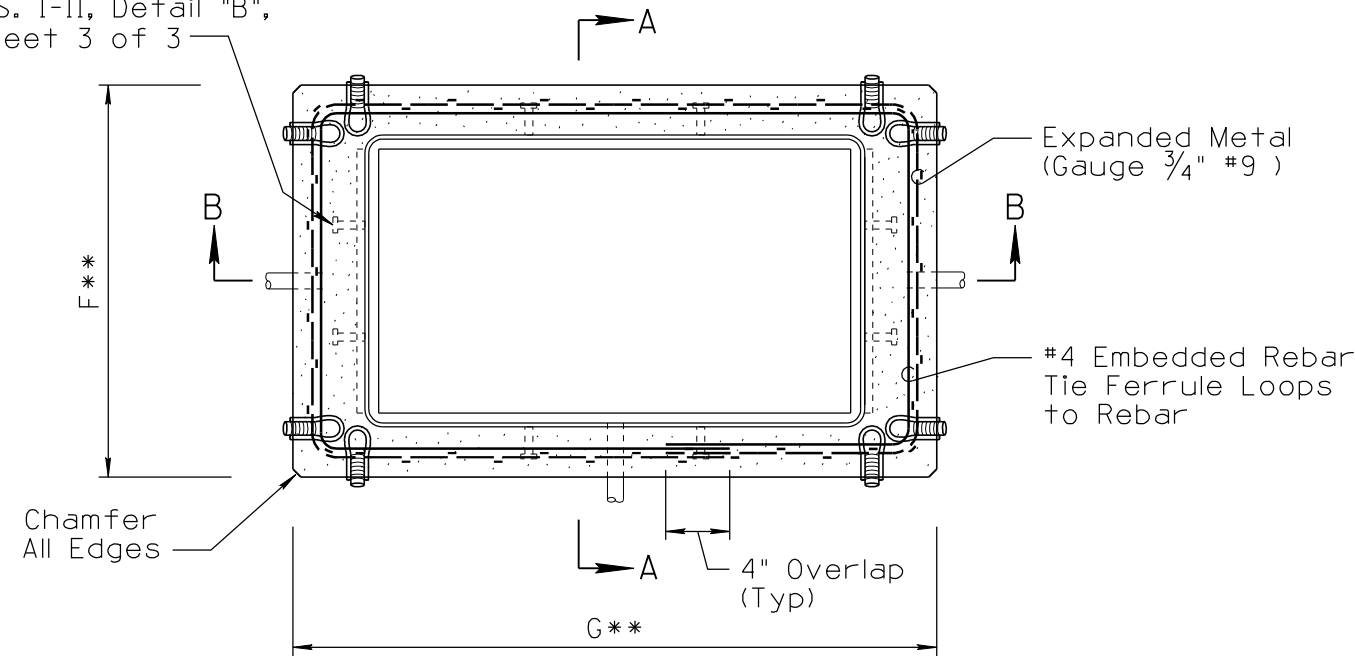


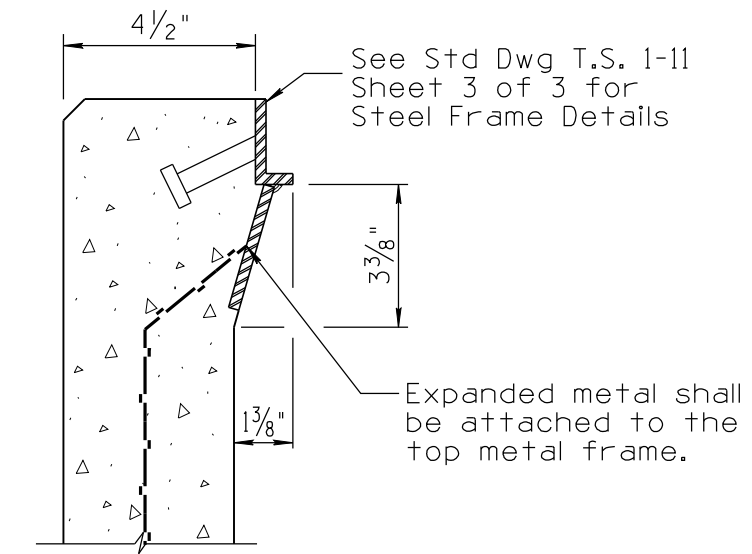
NO	DESCRIPTION OF REVISIONS	DATE	MADE BY
3		03/15	L. LOPEZ
4			
1	ORIGINAL ISSUE - NEW DRAWING		

1/2" Concrete Anchor (Typ), See Std Dwg T.S. 1-11, Detail "B", Sheet 3 of 3

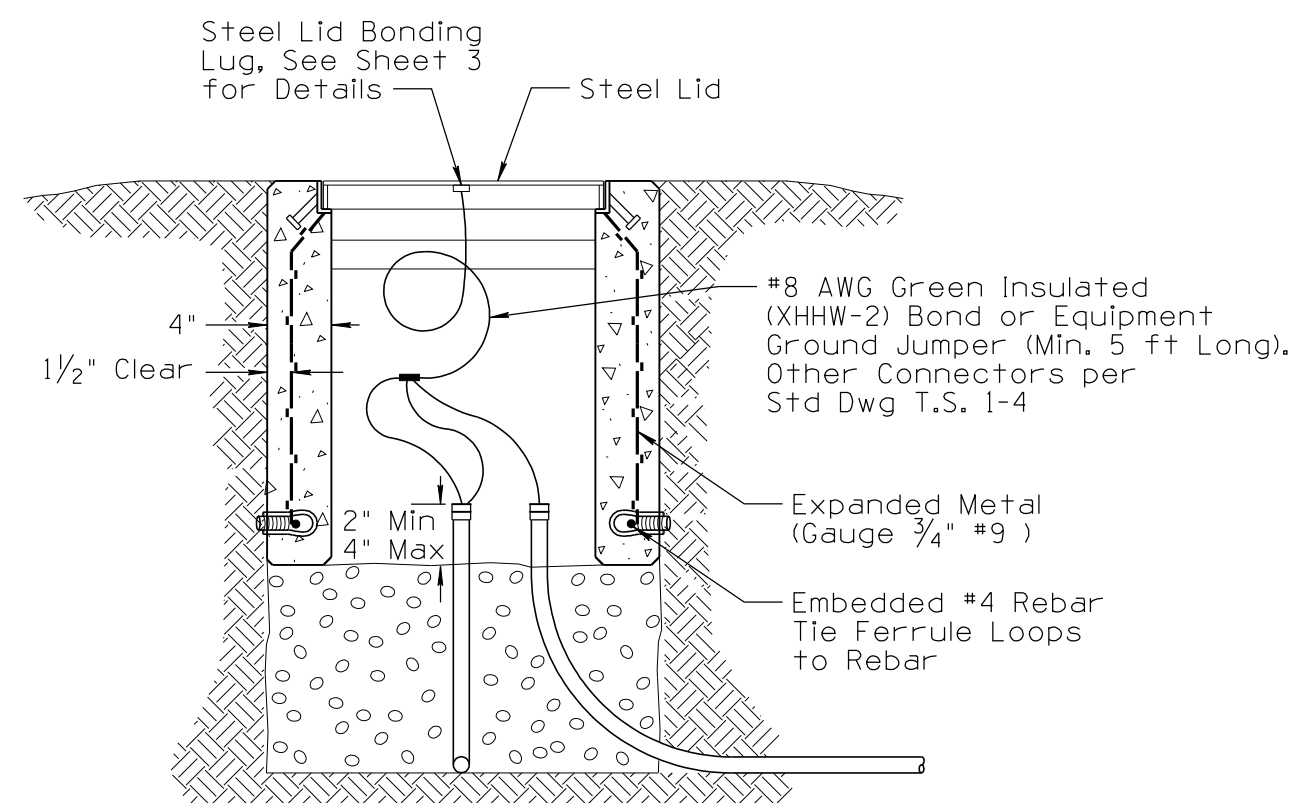


PLAN VIEW

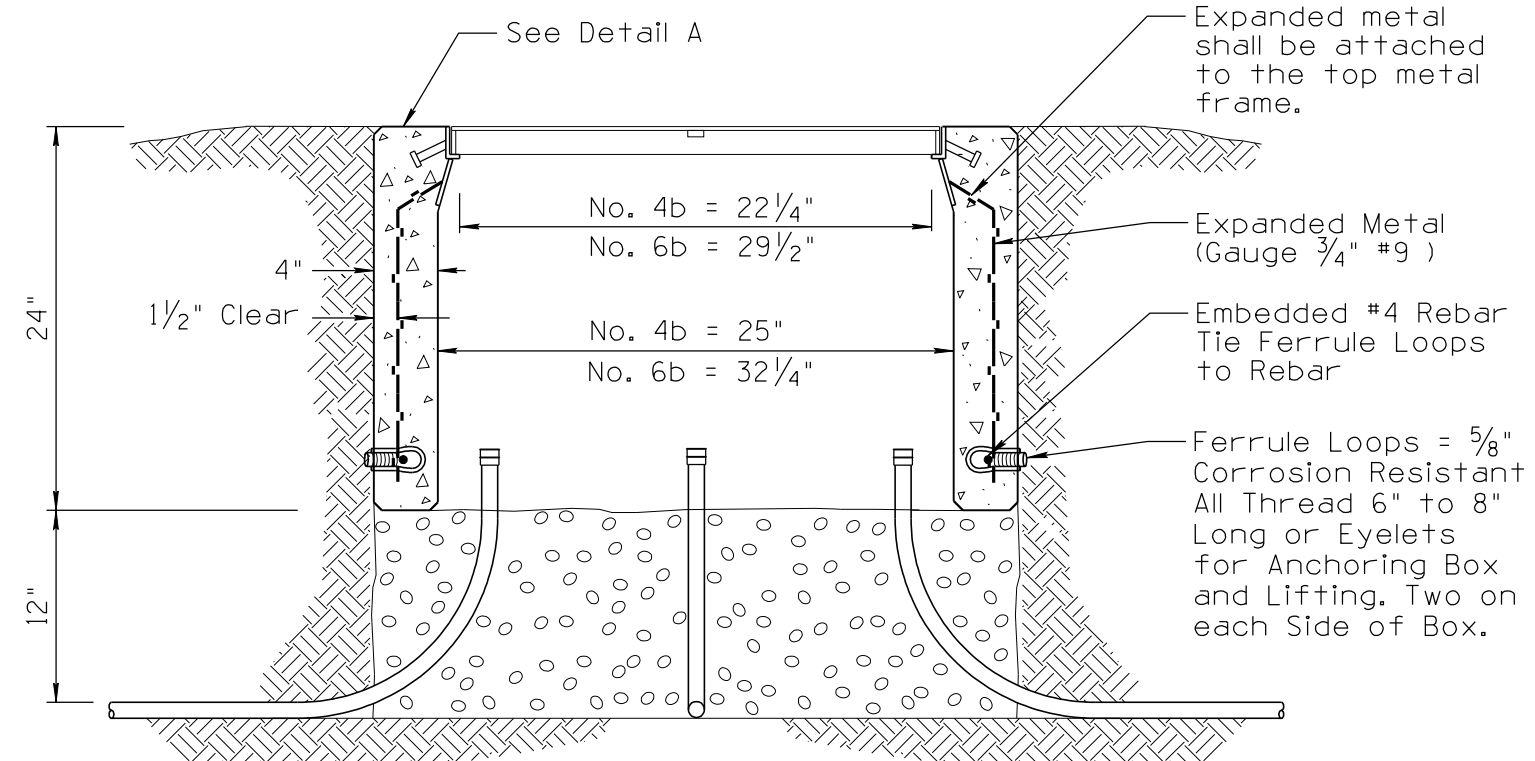
** See Sheet 1 of 2 for Alpha Dimensions



DETAIL A



SECTION A-A



SECTION B-B

NOT TO SCALE

DESIGN APPROVED	ARIZONA DEPARTMENT OF TRANSPORTATION INTERMODAL TRANSPORTATION DIVISION TRAFFIC SIGNALS AND LIGHTING STANDARD DRAWINGS	REVISION	03/15
SIGNATURE		DRAWING NO.	T.S. 1-12
APPROVED FOR DISTRIBUTION	PRECAST HEAVY DUTY LIGHTING NO. 4B AND NO. 6B PULL BOX	SHEET NO.	2 OF 2
ON FILE			