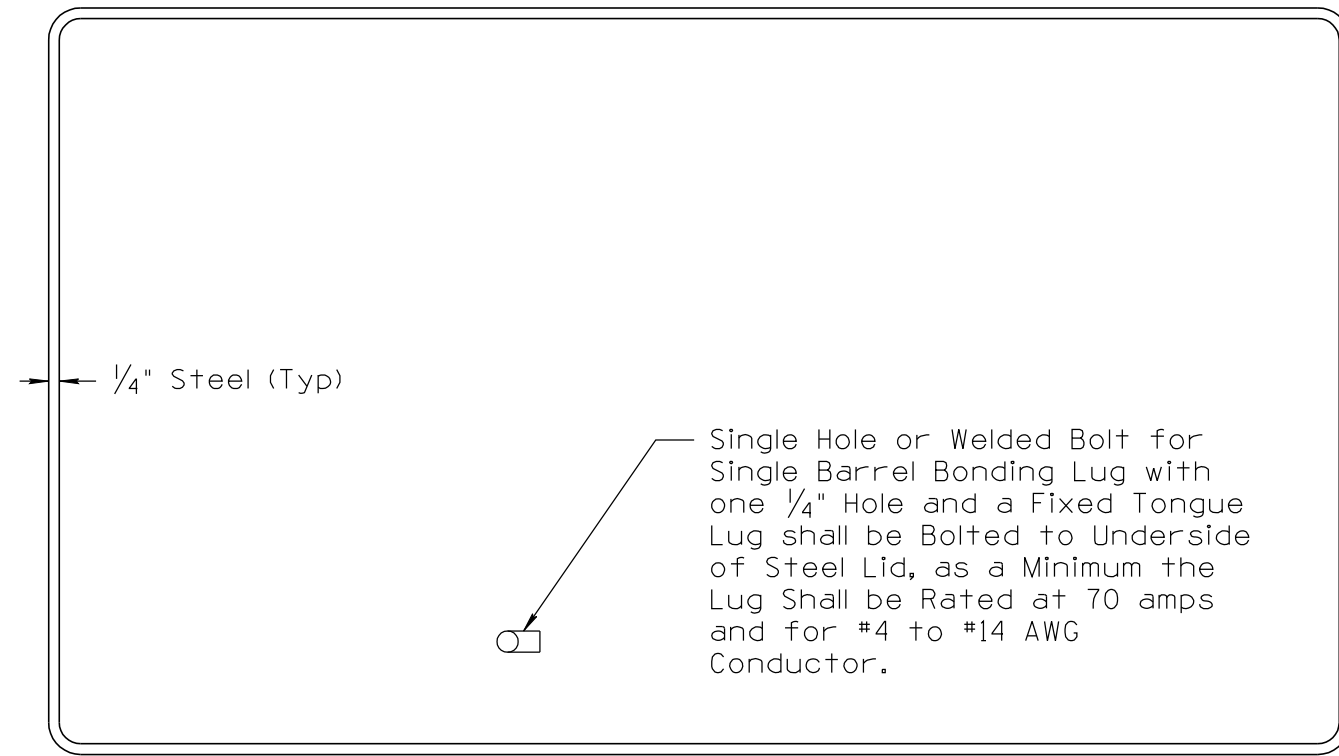


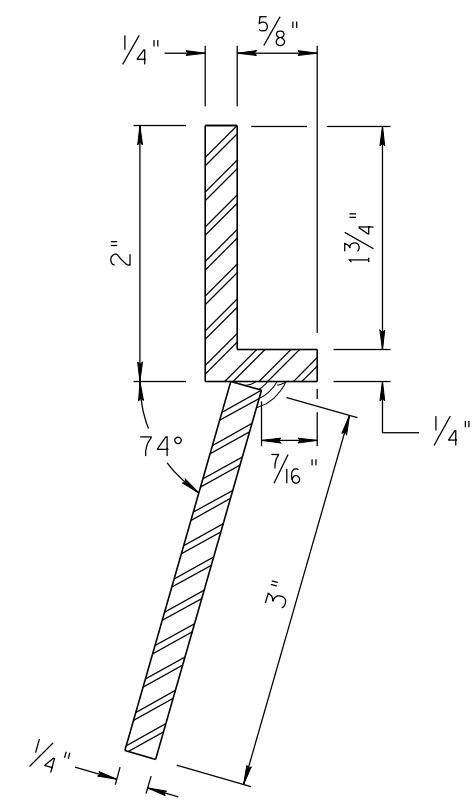
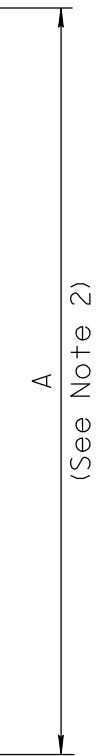
NO	DESCRIPTION OF REVISIONS	DATE	MADE BY
1	2012 ORIGINAL ISSUE - NEW DRAWING	03/13	C. COLE
2	RE-DESIGN, TO ACCOMMODATE NEW MANUFACTURER LID DESIGNS.	10/13	C. COLE
3	REVISED DRAWING TO BE USED FOR STD DWGS T.S. 1-11 AND T.S. 1-12.	03/15	L. LOPEZ
4			



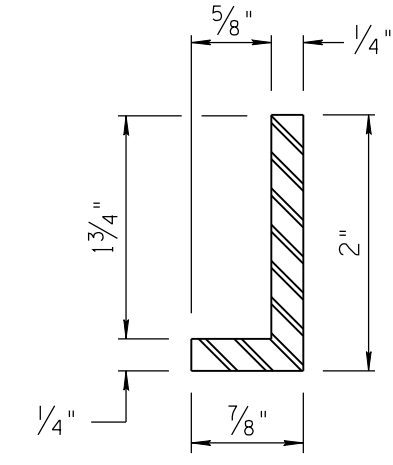
LID
Bottom View

NOTES

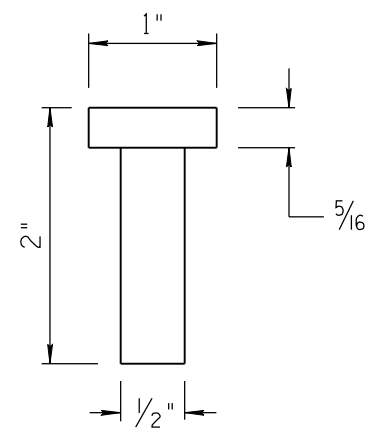
1. This drawing may be used for #4 and #6 pull boxes as defined in Std Dwg T.S. 1-11 and #4b and #6b pull boxes as defined in Std Dwg T.S. 1-12.
2. Refer to Sheet 1 of T.S. 1-11 for dimensions for #4 and #6 pull boxes, or Sheet 1 of T.S. 1-12 for #4b and #6b pull boxes respectively.



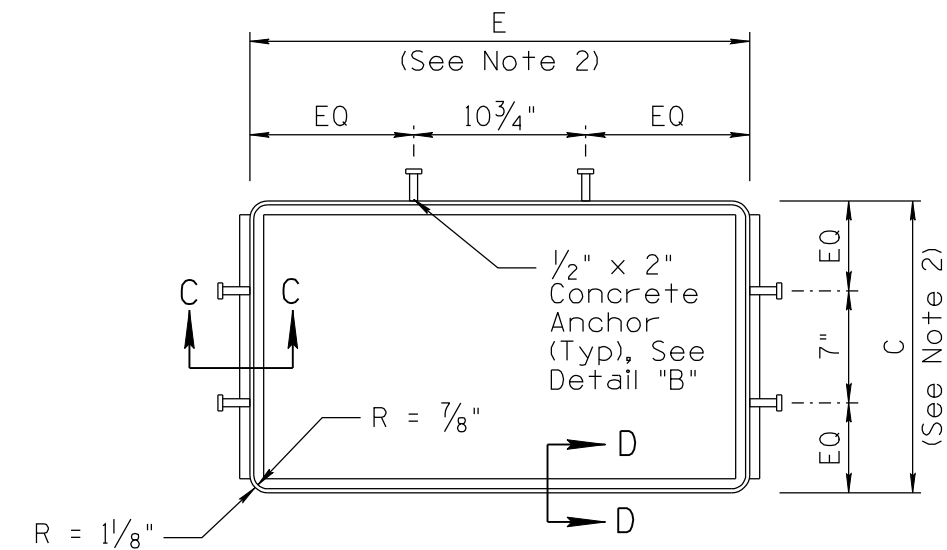
SECTION C-C
STEEL FRAME



SECTION D-D
STEEL FRAME



DETAIL B
CONCRETE ANCHOR



STEEL FRAME DETAIL

NOT TO SCALE

DESIGN APPROVED	ARIZONA DEPARTMENT OF TRANSPORTATION INTERMODAL TRANSPORTATION DIVISION TRAFFIC SIGNALS AND LIGHTING STANDARD DRAWINGS	REVISION 03/15
SIGNATURE		DRAWING NO. T.S. 1-11
APPROVED FOR DISTRIBUTION	PRECAST HEAVY DUTY LIGHTING NO. 4 AND NO. 6 PULL BOX	SHEET NO. 3 OF 3
ON FILE		