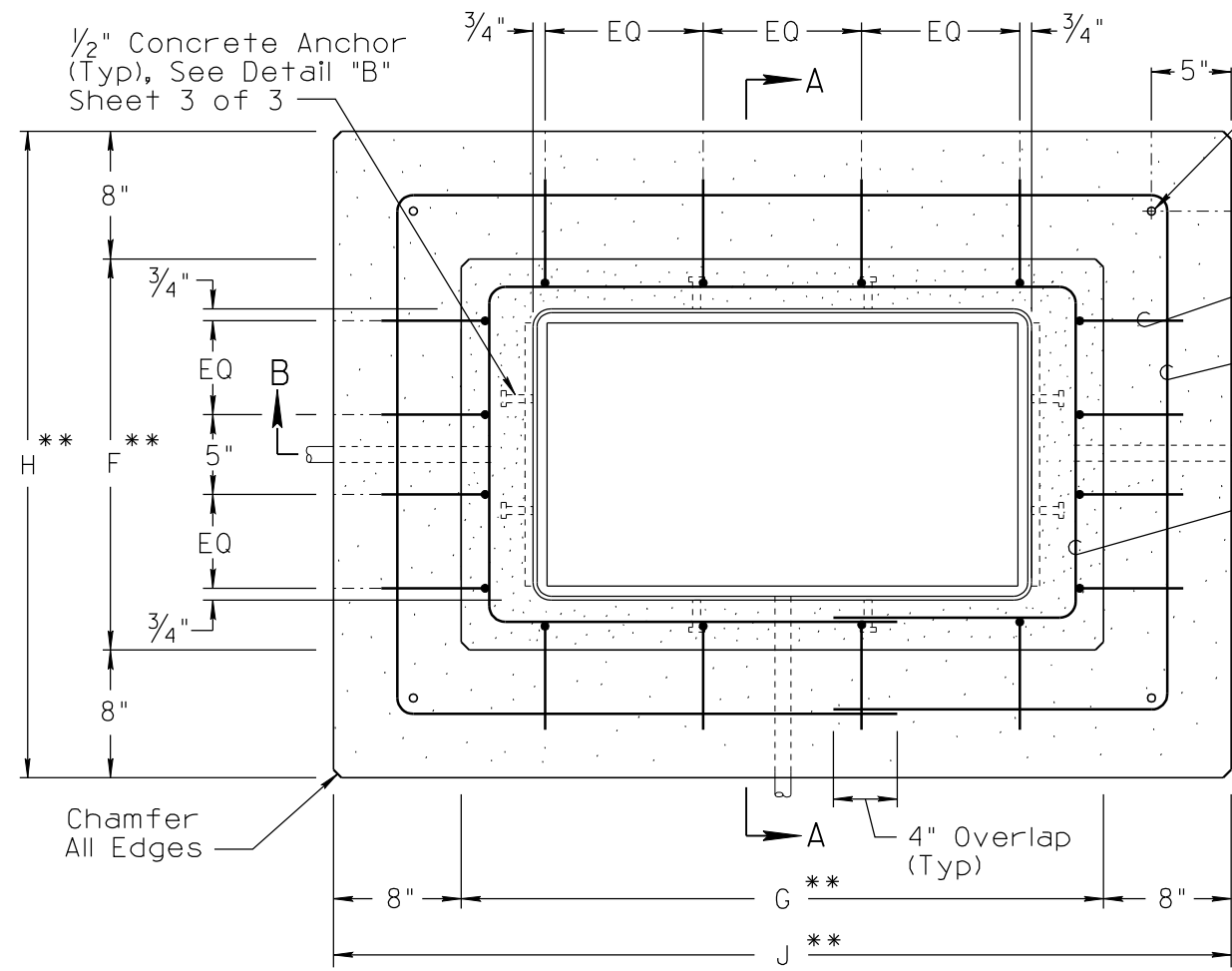


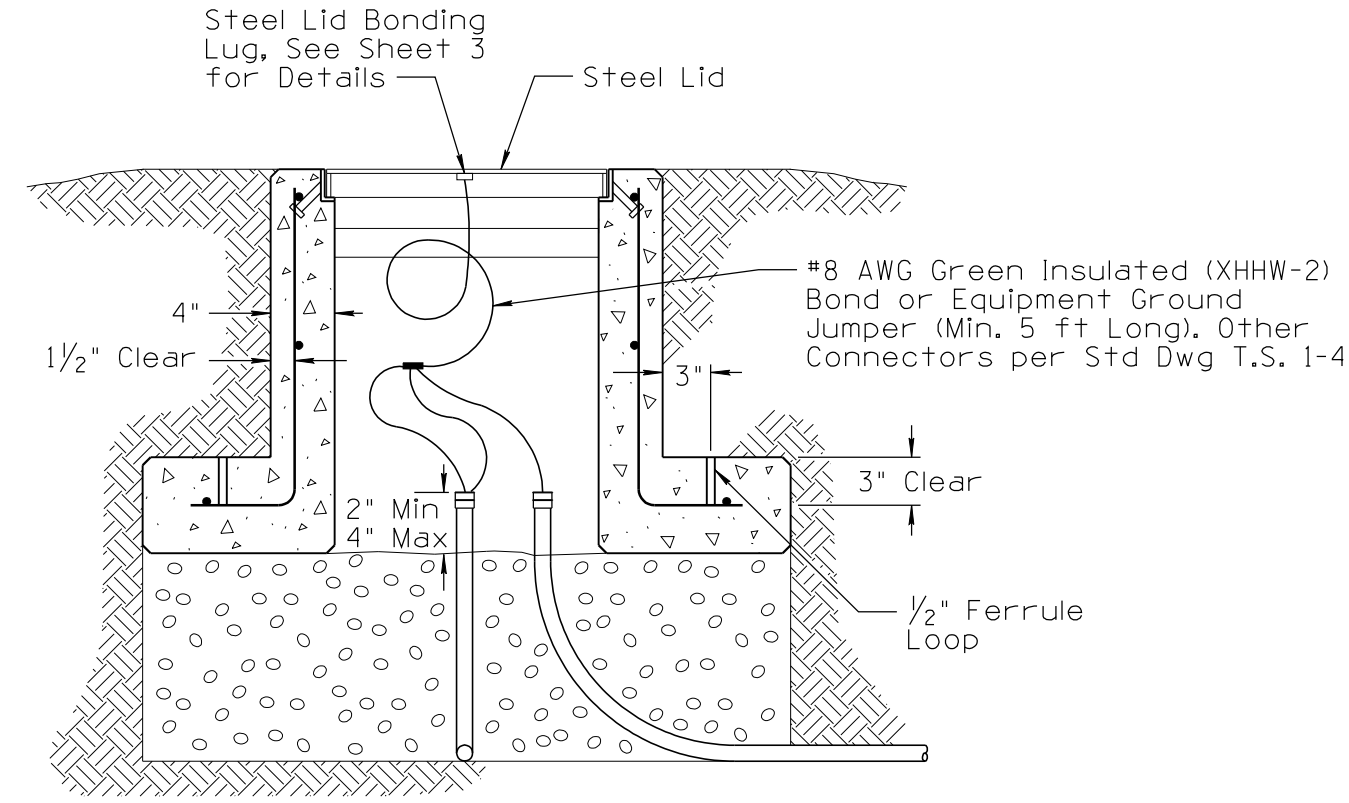
NO	DESCRIPTION OF REVISIONS	DATE	MADE BY
3		03/13	C. COLE
4		10/13	C. COLE

NO	DESCRIPTION OF REVISIONS
1	2012 ORIGINAL ISSUE - NEW DRAWING
2	RE-DESIGN, TO ACCOMMODATE NEW MANUFACTURER LID DESIGNS.

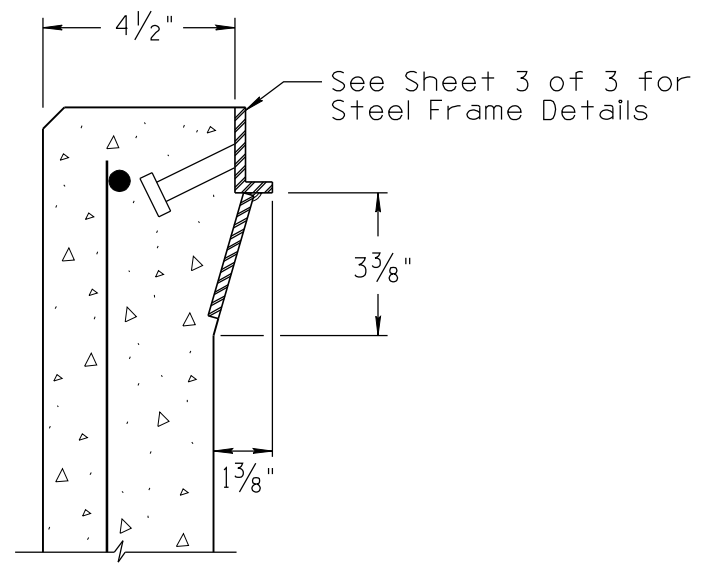


PLAN VIEW

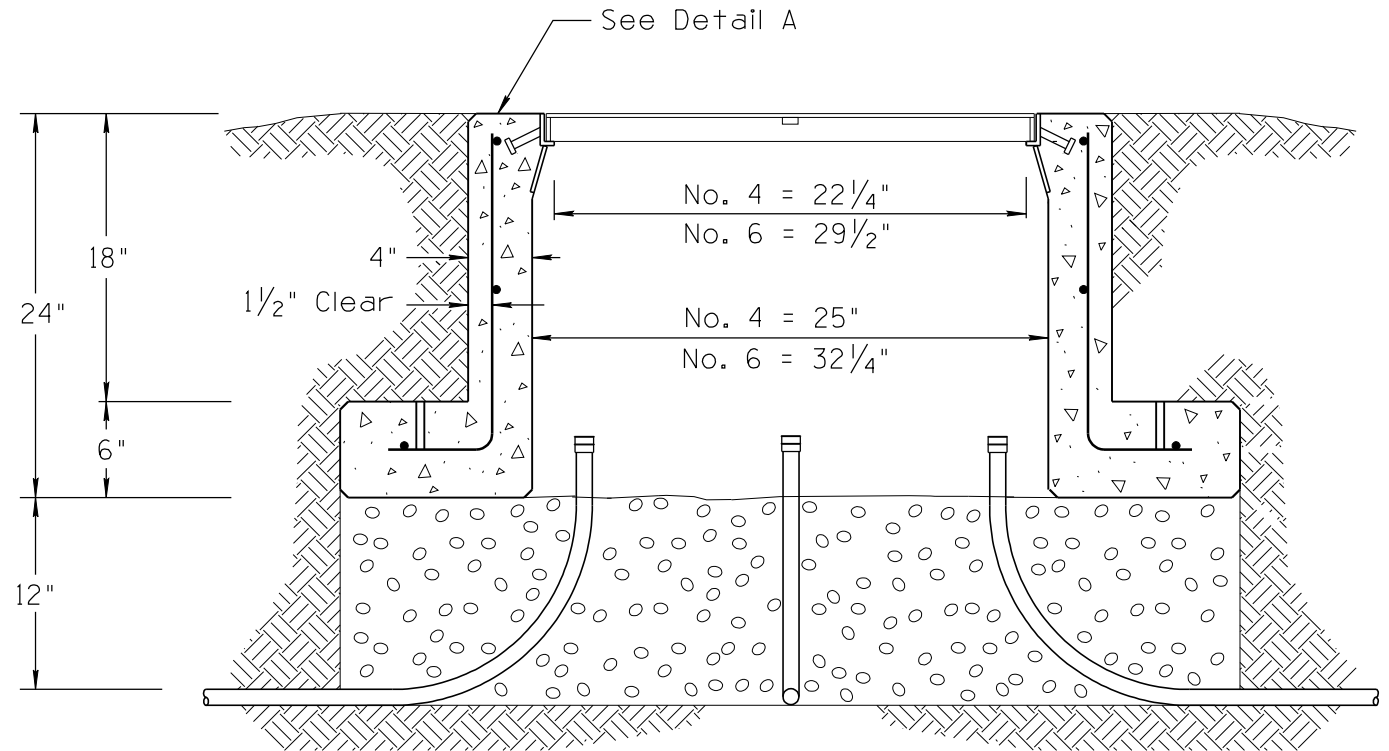
- 1/2" Concrete Anchor (Typ), See Detail "B" Sheet 3 of 3
- 1/2" Ferrule Loop Insert (Typ) 4 Places
- No. 4 Rebar 16 Each 1'-7" x 7" (No. 4 & 6 Box)
- No. 4 Rebar 1 Each 3'-5" x 2'-4 3/4" (No. 4 Box) 4'-1/4" x 2'-8 1/2" (No. 6 Box)
- No. 4 Rebar 2 Each 2'-5 1/2" x 1'-5 1/4" (No. 4 Box) 3'-3/4" x 1'-9 1/2" (No. 6 Box)



SECTION A-A



DETAIL A



SECTION B-B

** See Sheet 1 of 3 for Alpha Dimensions

NOT TO SCALE

DESIGN APPROVED	ARIZONA DEPARTMENT OF TRANSPORTATION INTERMODAL TRANSPORTATION DIVISION TRAFFIC SIGNALS AND LIGHTING STANDARD DRAWINGS	REVISION	10/13
SIGNATURE		DRAWING NO.	T.S. 1-11
APPROVED FOR DISTRIBUTION	PRECAST HEAVY DUTY LIGHTING NO. 4 AND NO. 6 PULL BOX	SHEET NO.	2 OF 3
ON FILE			