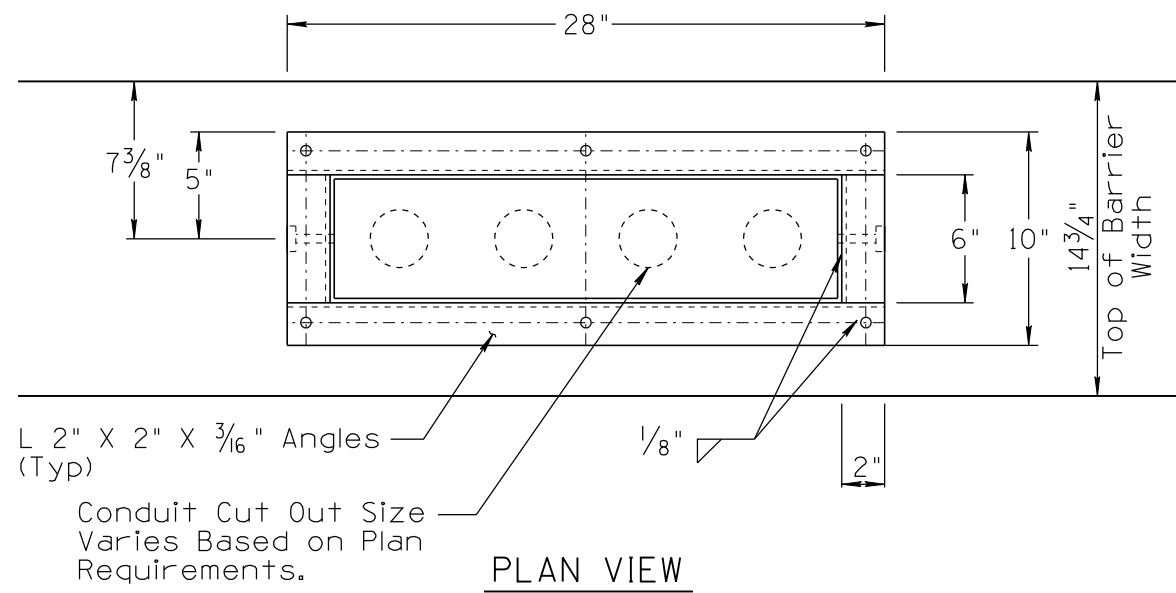
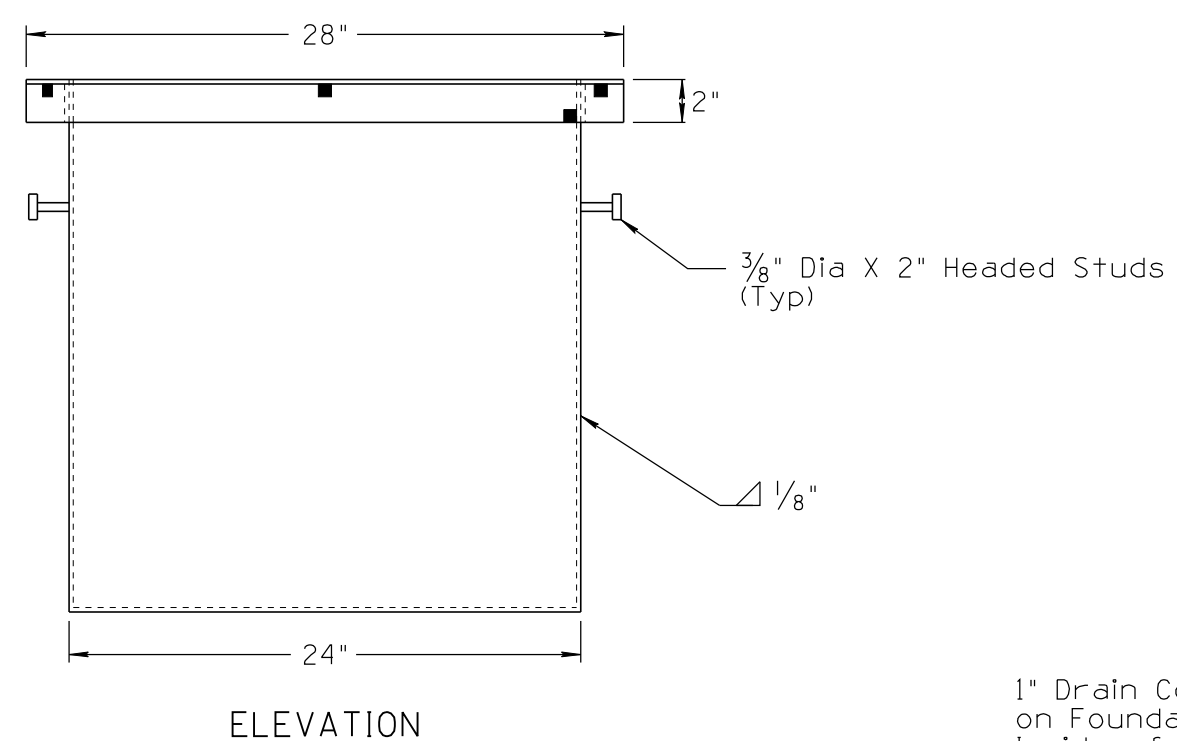


NO	DESCRIPTION OF REVISIONS	MADE BY	DATE
1	2010 EDITION	C. COLE	03/10
2	2011 EDITION - UPDATED NOTE 6, ADDED BOND LUG CALLOUT TO SIDE VIEW	C. COLE	09/11

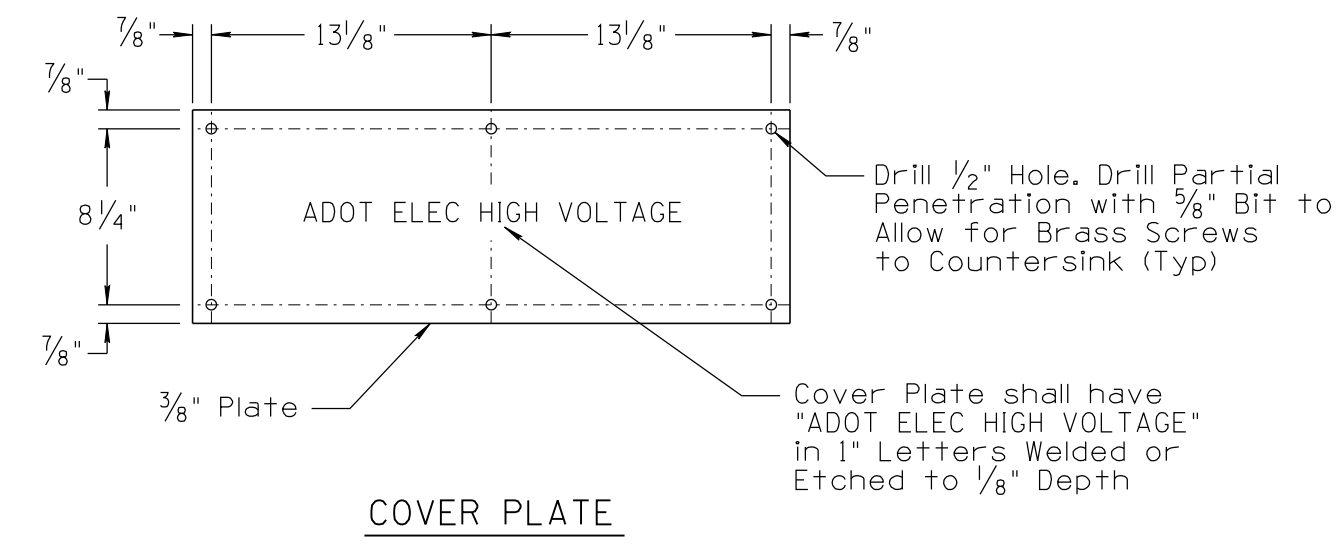


L 2" X 2" X 3/16" Angles (Typ)
 Conduit Cut Out Size Varies Based on Plan Requirements.

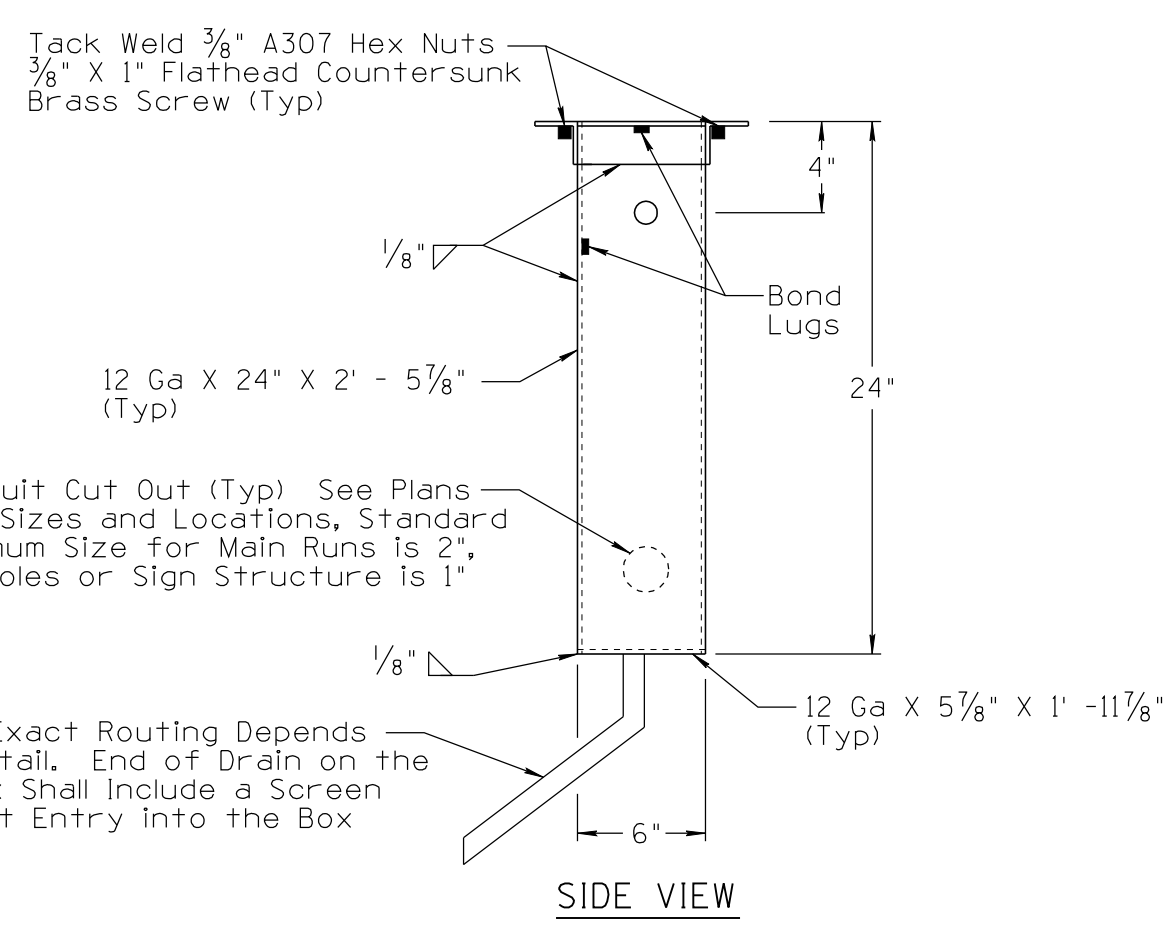


NOTES:

1. See specifications for materials and construction.
2. Match drill holes in angle frame with holes in cover plate.
3. Secure a 1/8" x 2" neoprene or similar suitable synthetic rubber gasket onto angle frame before drilling.
4. All steel surfaces shall be galvanize after fabrication per applicable requirements of, ASTM A123.
5. See plans for number and size of conduit cutouts required and location of applications.
6. The steel box shell and steel lid shall be bonded in an approved manner.
7. Conduit connector to the junction box shall be with threaded connectors and locknuts, the interface between the conduit and the box shall be sealed before the concrete pour.



Drill 1/2" Hole. Drill Partial Penetration with 5/8" Bit to Allow for Brass Screws to Countersink (Typ)
 Cover Plate shall have "ADOT ELEC HIGH VOLTAGE" in 1" Letters Welded or Etched to 1/8" Depth



Tack Weld 3/8" A307 Hex Nuts
 3/8" X 1" Flathead Countersunk Brass Screw (Typ)
 12 Ga X 24" X 2" - 5 7/8" (Typ)
 12 Ga X 5 7/8" X 1" - 11 7/8" (Typ)
 Conduit Cut Out (Typ) See Plans for Sizes and Locations, Standard Minimum Size for Main Runs is 2", to Poles or Sign Structure is 1"
 1" Drain Conduit Exact Routing Depends on Foundation Detail. End of Drain on the Inside of the Box Shall Include a Screen to Prevent Insect Entry into the Box

NOT TO SCALE

DESIGN APPROVED	ARIZONA DEPARTMENT OF TRANSPORTATION INTERMODAL TRANSPORTATION DIVISION TRAFFIC SIGNALS AND LIGHTING STANDARD DRAWINGS	REVISION 09/11
SIGNATURE		DRAWING NO. T.S. 1-10
APPROVED FOR DISTRIBUTION	ON FILE	SHEET NO. 1 OF 1
TOP OF BARRIER JUNCTION BOX DETAILS		