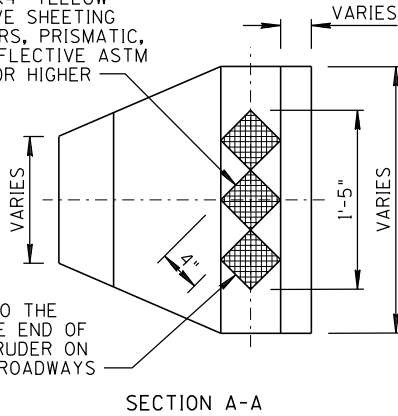


NO	DESCRIPTION OF REVISIONS	MADE BY	DATE
1	RE-ISSUE	L. LOPEZ	2/02
2	ADDED NOTE #3, TEXT EDITS	L. LOPEZ	5/03
3	ADDED NOTE #4.	L. LOPEZ	2/04
4	TYP0 CORRECTION NOTE #3	L. LOPEZ	4/05

THREE 4"x4" YELLOW REFLECTIVE SHEETING REFLECTORS, PRISMATIC, RETRO-REFLECTIVE ASTM TYPE IV OR HIGHER

AFFIXED TO THE DEPARTURE END OF EACH EXTRUDER ON TWO-WAY ROADWAYS



SECTION A-A

DELINEATION FOR THE SIDE OF THE GUARDRAIL EXTRUDER TERMINAL

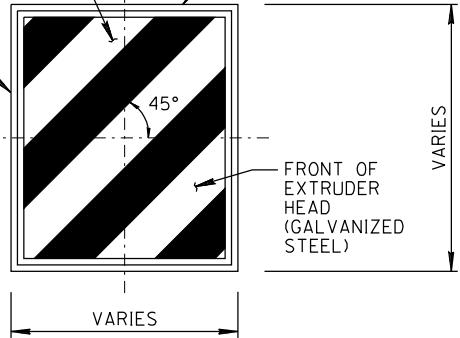
OBJECT MARKER DECAL FLUORESCENT TYPE VIII OR TYPE IX REFLECTIVE SHEETING

TOP OF EXTRUDER HEAD

ROAD SIDE OF EXTRUDER HEAD

4" YELLOW (TYP)

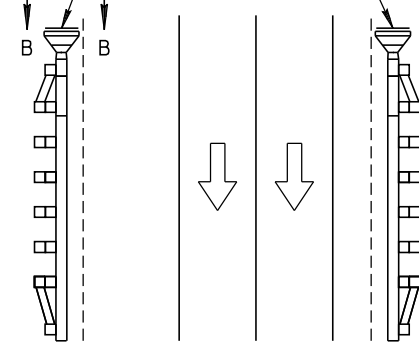
4" BLACK (TYP)



SECTION B-B

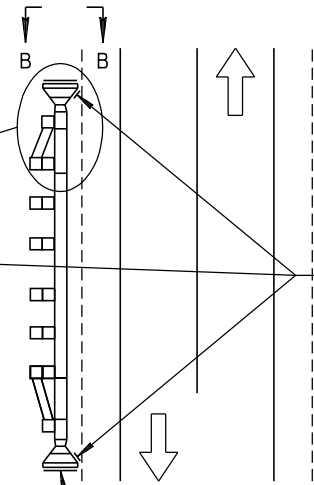
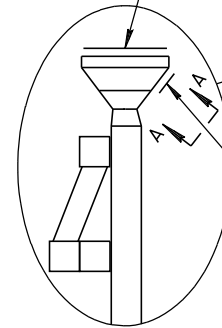
DELINEATION FOR THE HEAD OF THE GUARDRAIL EXTRUDER TERMINAL

OBJECT MARKER DECAL SEE NOTE #2



ONE-WAY ROADWAY

OBJECT MARKER DECAL, SEE VIEW "A"



THREE 4"x4" YELLOW REFLECTIVE SHEETING REFLECTORS, PRISMATIC, RETRO-REFLECTIVE ASTM TYPE IV OR HIGHER

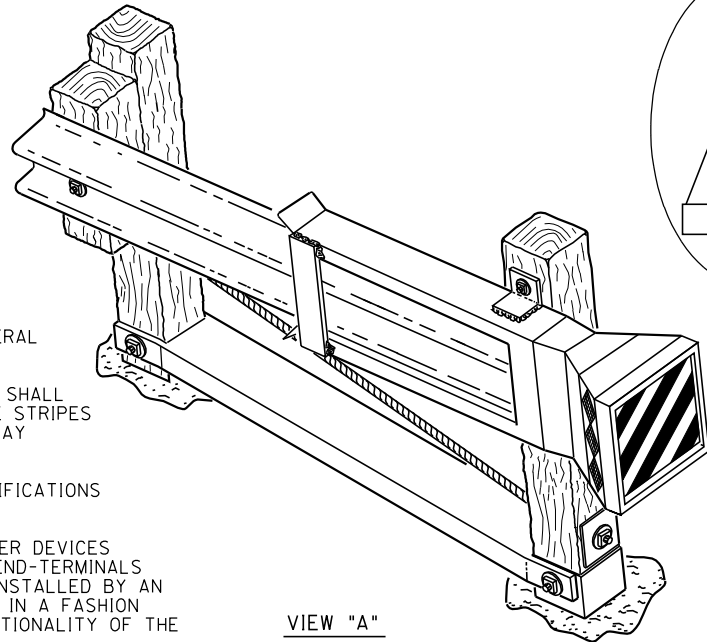
OBJECT MARKER DECAL SEE NOTE #2

TWO-WAY ROADWAY

APPLICATION DETAIL FOR THE GUARDRAIL EXTRUDER TERMINAL

NOTES:

1. THESE DETAILS ARE APPLICABLE FOR SEVERAL MANUFACTURER'S SPECIFICATIONS.
2. ON TWO-WAY ROADWAYS, THE DELINEATION SHALL BE THE SAME FOR THE OPPOSITE END. THE STRIPES WILL POINT DOWN AND TOWARD THE ROADWAY OF ONE-WAY ROADWAYS.
3. SEE SECTION 905 OF THE STANDARD SPECIFICATIONS FOR GUARDRAIL MARKING REQUIREMENTS.
4. DELINEATORS, SNOW MARKERS OR ANY OTHER DEVICES SHALL NOT BE INSTALLED ON GUARDRAIL END-TERMINALS OR THEIR POSTS. IF THESE DEVICES ARE INSTALLED BY AN END-TERMINAL, THEY SHALL BE INSTALLED IN A FASHION THAT WILL NOT INTERFERE WITH THE FUNCTIONALITY OF THE END-TERMINAL.



VIEW "A"

NOT TO SCALE

DESIGN APPROVED SIGNATURE ON FILE	ARIZONA DEPARTMENT OF TRANSPORTATION INTERMODAL TRANSPORTATION DIVISION STANDARD DRAWINGS	REV. 4/05
	GUARDRAIL EXTRUDER TERMINAL DELINEATION DETAILS	DRAWING NO. M-34