

COCONINO

YAVAPAI CO.

NW⁴ NE⁴

SB CONSTR & CURVE DATA
 SPIRAL a=3.12 Δ=6°32'52" L=205.00'
 TOTAL CURVE Δ=44°47'19" LT T=472.85' L=906.14'
 MAIN CURVE Δ=31°41'36" D=6°23'17" L=496.14' R=896.93'

CITY

13-0971

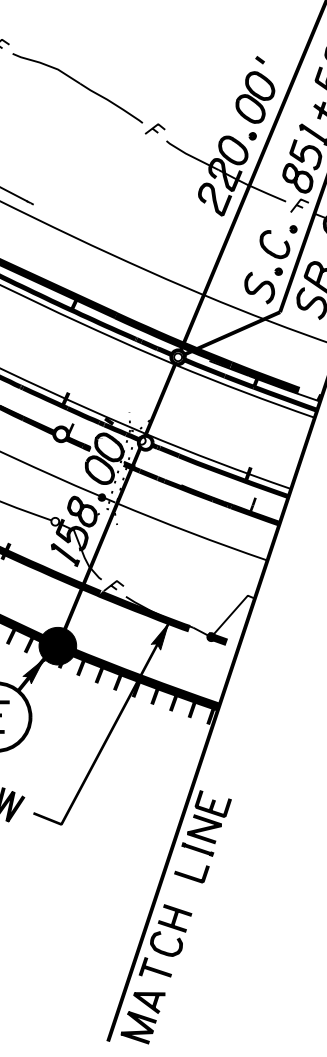
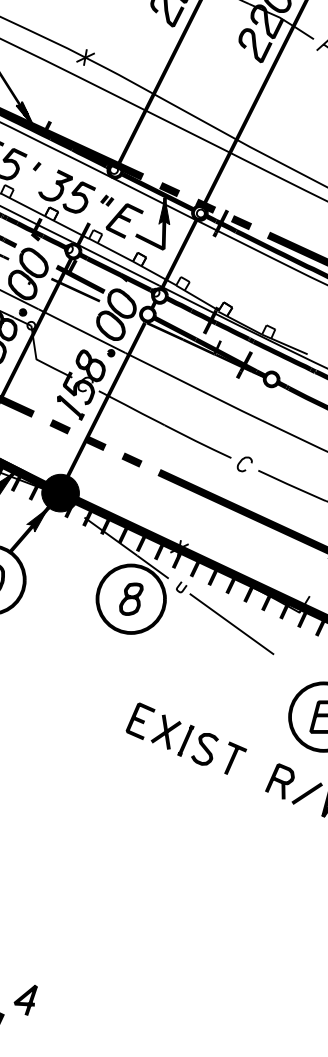
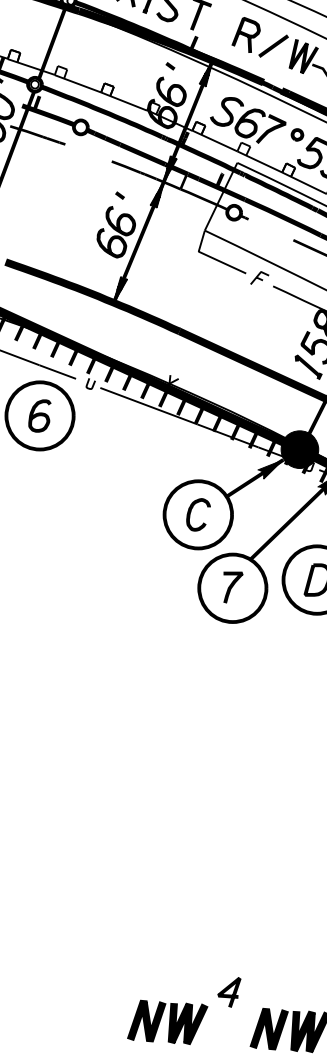
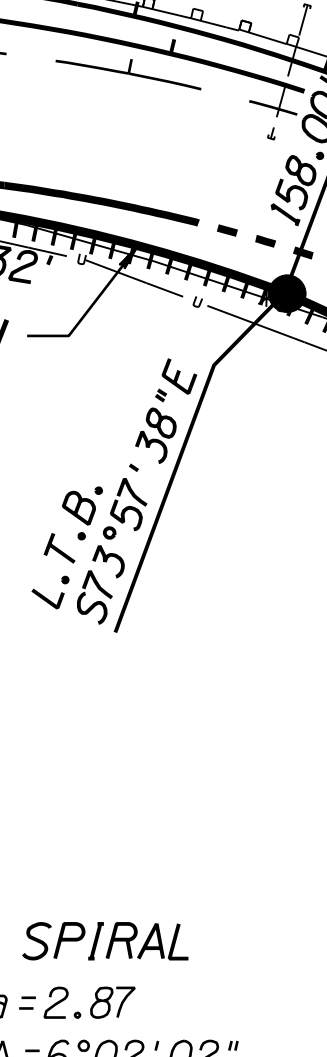
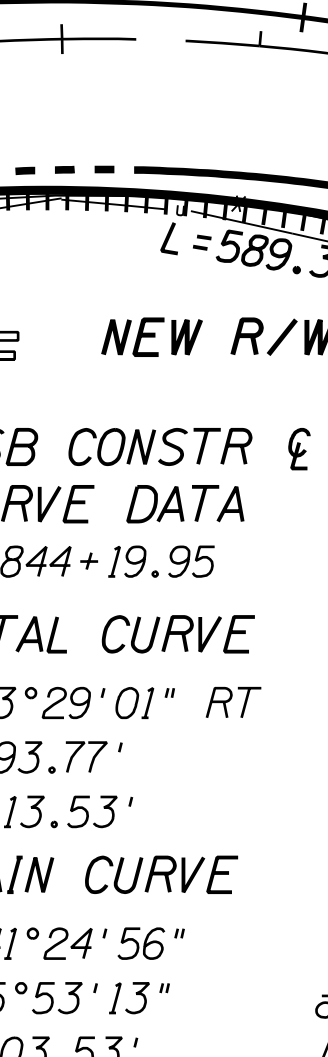
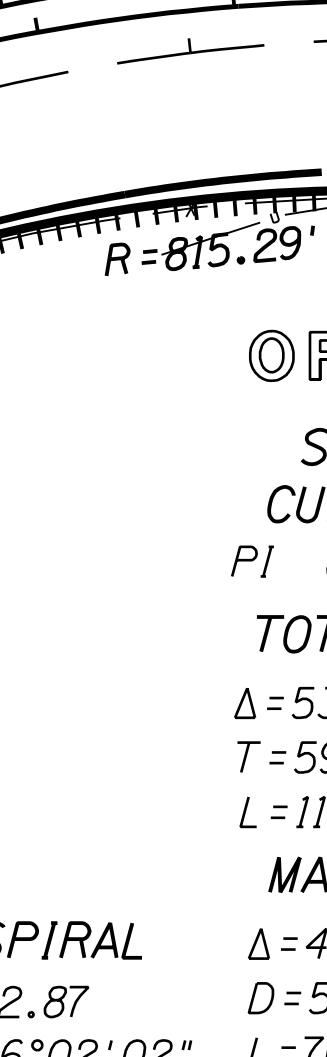
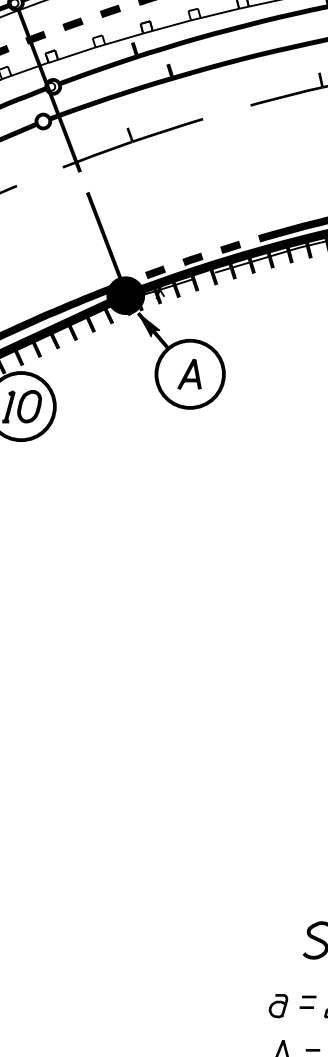
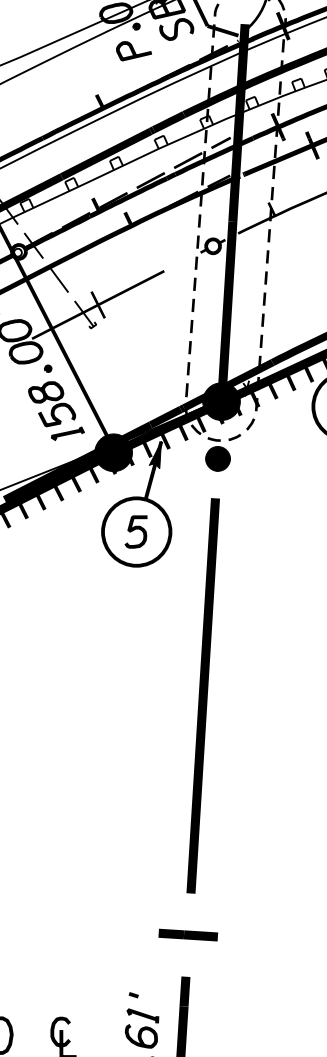
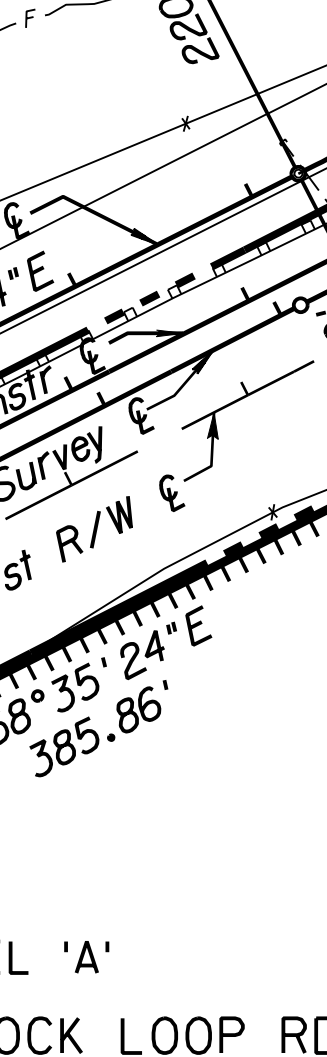
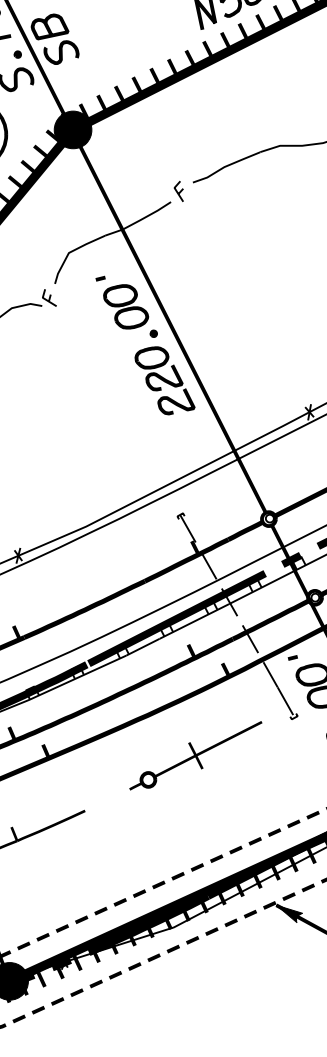
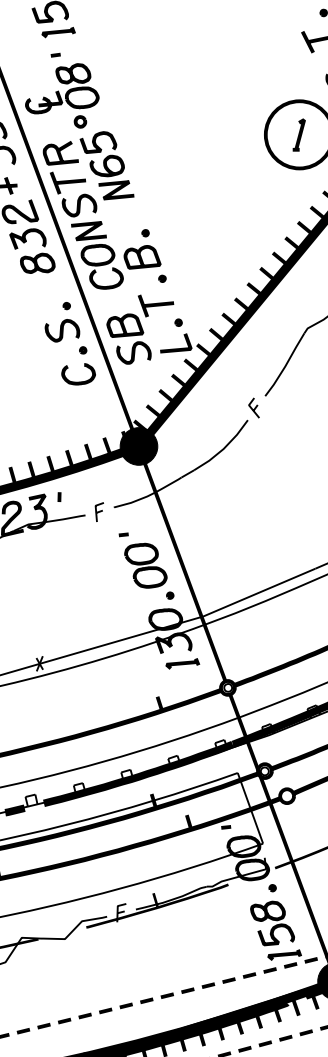
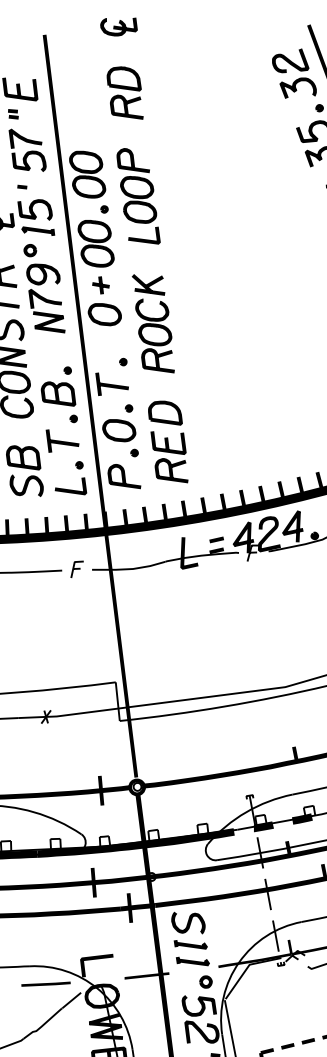
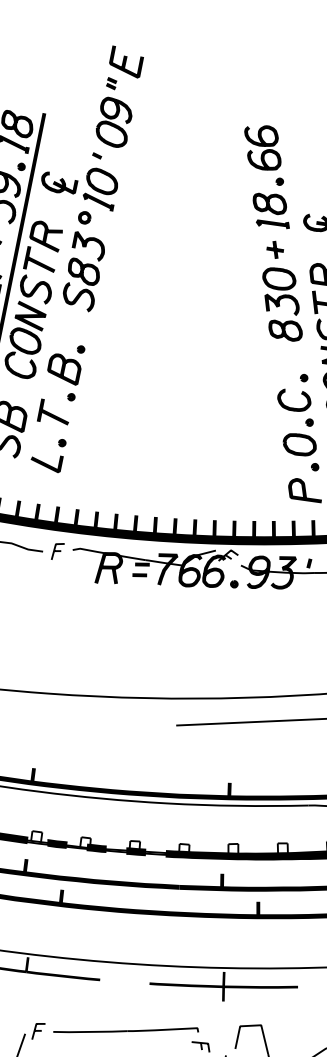
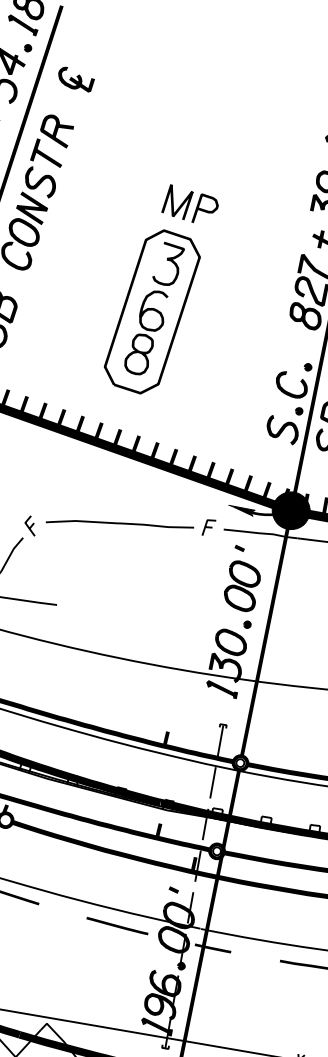
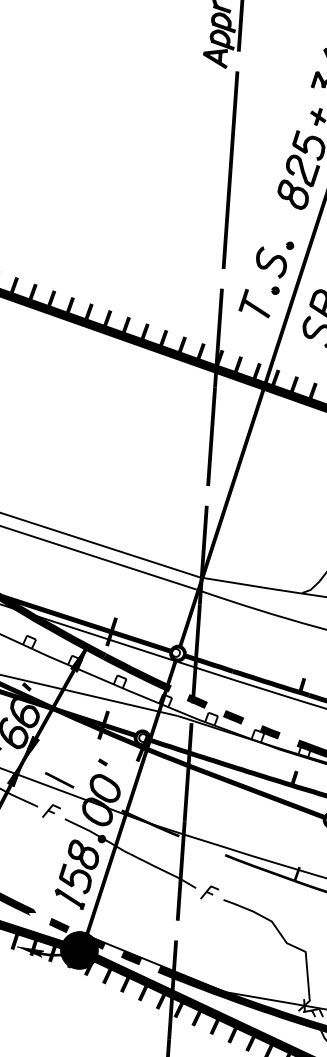
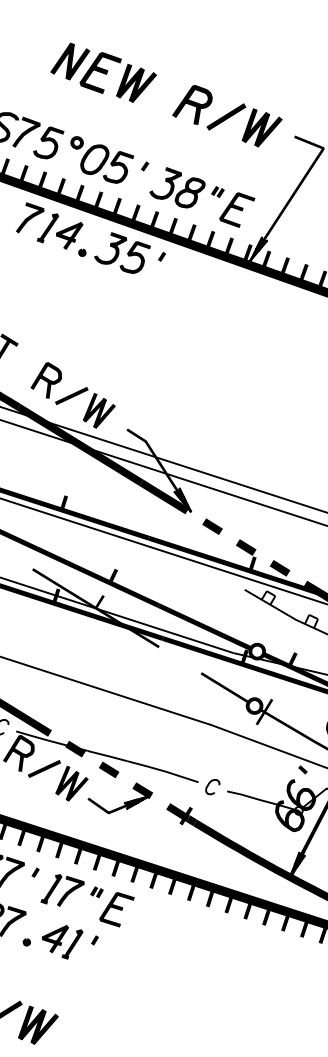
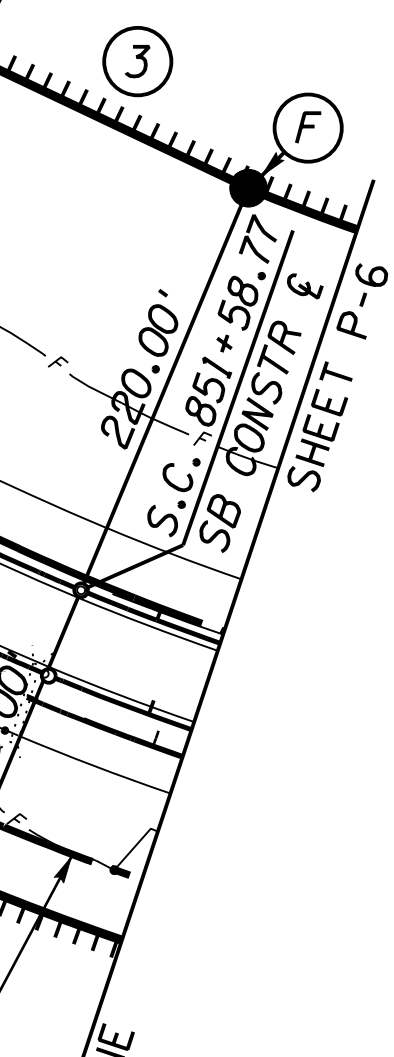
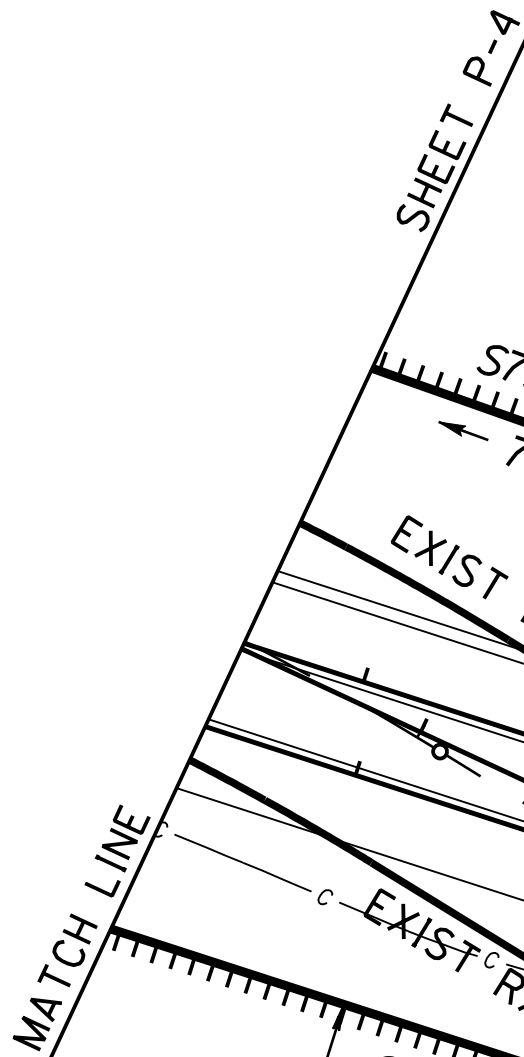
845

MILLER MS 1001

13-0971 -M
 SEE PARCEL INSERT ON SHEET P-II

850

1/4 Cor. Fd. B.L.M. B.C.



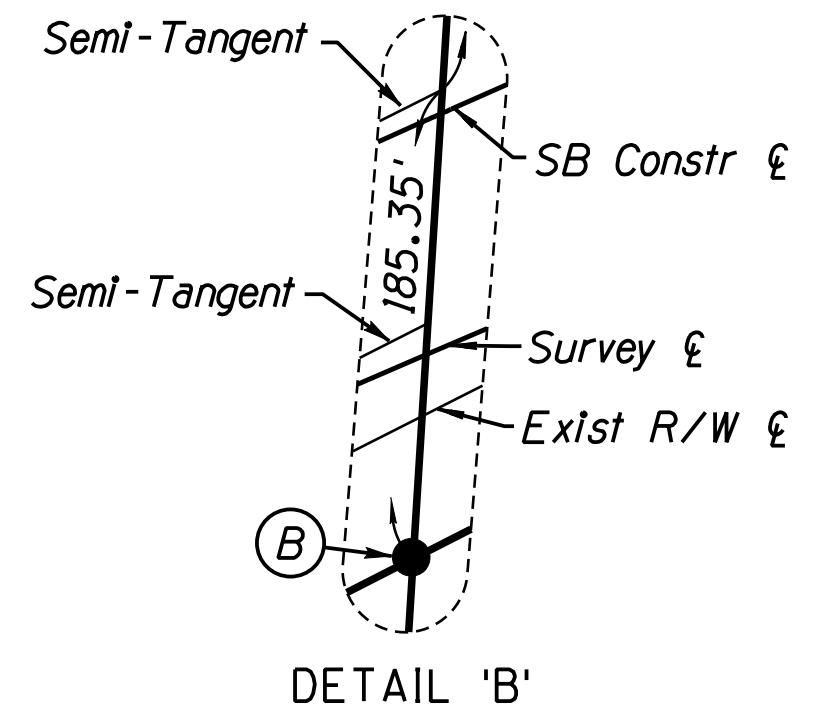
S.R. 89A

NATIONAL

RED ROCK LOOP RD &
 CURVE DATA
 PI 2+28.47
 Δ=14°19'23" LT
 D=7°09'43" T=100.52' L=199.99' R=800.00'

SB CONSTR & CURVE DATA
 PI 844+19.95
 TOTAL CURVE Δ=53°29'01" RT T=593.77' L=1113.53'
 MAIN CURVE Δ=41°24'56" D=5°53'13" L=703.53' R=973.29'
 SPIRAL a=2.87 Δ=6°02'02" L=205.00'
 SPIRAL a=2.87 Δ=6°02'02" L=205.00'

SB CONSTR &	
A	S.C. 840+31.18 158.00' RT L.T.B. N64°37'26"E
B	P.O.S. 838+87.84 159.68' RT
C	S.T. 849+39.71 158.00' RT
D	T.S. 849+88.77 158.00' RT
E	S.C. 851+58.77 158.00' RT L.T.B. S71°57'44"E
F	S.C. 851+58.77 220.00' LT L.T.B. S71°57'44"E
G	P.O.C. 840+68.34 220.00' LT L.T.B. N66°48'41"E



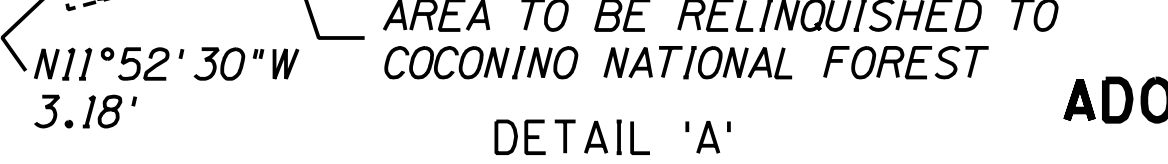
158.00' RT P.O.C. 830+75.51
 SB CONSTR &
 L.T.B. N75°20'45"E

65.00' LT P.O.T. 0+96.20
 RED ROCK LOOP RD &

LIMITS OF CONSTRUCTION AND LIMITS OF AREA TO BE ACQUIRED BY RESOLUTION P.O.T. 1+95.19 RED ROCK LOOP RD

R=1054.93'
 L=187.95'

N60°51'37"E
 222.94'



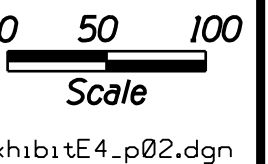
DATA TABLE	
1	N34°58'15"E 207.28'
2	S67°55'32"E 49.06'
3	S69°12'20"E 154.47'
4	S69°21'50"E 228.91'
5	N60°30'44"E 59.03'
6	S69°52'10"E 186.28'
7	S67°55'35"E 51.05'
8	S69°18'43"E 181.09'
9	R=1092.93' L=130.09'
10	N60°30'44"E 129.24'
11	R=1193.29' L=45.56'

EXHIBIT-E4
 (RURAL)

ADOT CADD STANDARDS 2006

CHANGE ORDER REVISIONS			
C.O. NO.	DATE	BY	DESCRIPTION OF REVISIONS
9405	8-14-02	JC	Added Unpatented Mining Claim
9406	8-15-02	JC	Revised New R/W line from Sta 830+75.51 to Sta 834+40.32 right side

DRAWING NO.	D-13-T-446	ARIZONA DEPARTMENT OF TRANSPORTATION INTERMODAL TRANSPORTATION DIVISION RIGHT OF WAY PLANS SECTION	
SURVEY	See Attached Survey	HIGHWAY NAME:	PRESCOTT - FLAGSTAFF
DRAWN/DATE	J. Crume/Sep 01	FEDERAL AID NO.:	S 366-814
ADOT REVIEW	B. Gurney	PROJECT NO.:	089A YV 366 H2741 02R
HUBBARD ENGINEERING 480-892-3313 Gibbert, AZ jcrume@heaz.us Job # 20047	LOCATION:	Dry Creek - Sedona	
ROUTE NO.:	S.R. 89A	PRELIMINARY NOT FOR CONSTRUCTION OR RECORDING --Created-- 1/29/2010 11:12:34 AM	
		SHEET P-5	



exhibiE4_p02.dgn