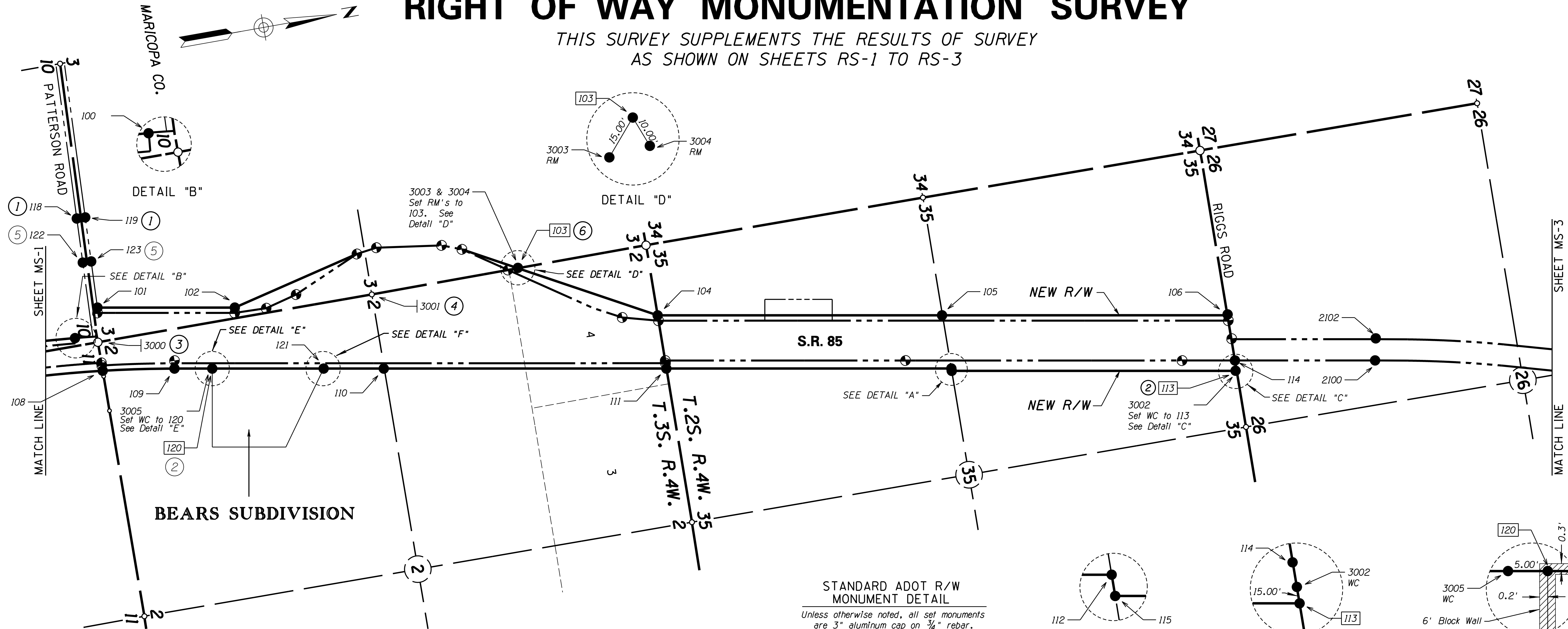


RIGHT OF WAY MONUMENTATION SURVEY

THIS SURVEY SUPPLEMENTS THE RESULTS OF SURVEY
AS SHOWN ON SHEETS RS-1 TO RS-3



MONUMENTATION LIST					
PT.	NORTHING	EASTING	DESCRIPTION	STATION	OFFSET
100	796856.32200	475554.09654	Set standard monument	6063+90.73	125.00' LT
101	797114.23000	475308.61544	Set standard monument	6066+01.76	396.11' LT
102	798385.71000	475534.34434	Set standard monument	6078+93.12	373.97' LT
103	801070.78293	475635.51586	(C)	6105+50.93	746.90' LT
104	802287.59511	476302.03716	Set standard monument	6118+69.13	300.00' LT
105	804924.92796	476770.24564	Set standard monument	6145+40.19	300.00' LT
106	807562.79268	477238.54853	Set standard monument	6172+26.81	300.00' LT
108	797059.24941	475902.34344	Set standard monument	6066+51.47	200.00' RT
109	797726.85426	475999.98851	Set standard monument	6073+25.81	200.00' RT
110	799669.26718	476344.85666	Set standard monument	6092+95.42	200.00' RT
111	802282.45311	476808.81801	Set standard monument	6119+53.48	200.00' RT
112	804919.25945	477276.97313	Set standard monument	6146+30.70	200.00' RT
113	807556.97404	477767.89332	(C)	6173+13.61	222.00' RT
114	807557.95200	477669.34300	Set standard monument	6172+91.46	125.00' RT
115	804919.00711	477299.53217	Set standard monument	6146+34.39	222.00' RT
118	797069.44939	474449.84145	Set Rebar w/cap	6064+07.54	1244.94' LT
119	797149.38194	474453.12589	Set Rebar w/cap	6064+86.82	1250.17' LT
120	798076.65570	476062.09445	(C)	6076+81.08	200.00' RT
121	799107.83824	476245.17705	Set standard monument	6087+28.24	200.00' RT
122	797052.28595	474867.54382	Set standard monument	6065+21.28	827.72' LT
123	797132.21850	474870.82825	Set standard monument	6065+95.70	833.13' LT
2100	808860.14548	477900.70526	Set standard monument	6186+19.96	125.00' RT
2102	808895.13200	477703.79000	Set standard monument	6186+19.96	75.00' LT
3000	797060.76589	475630.15632	See note 3	---	---
3001	799675.93097	475637.96133	See note 4	---	---
3002	807557.14113	477752.68840	Set WC monument	---	---
3003	801059.52383	475645.44390	Set RM monuments	---	---
3004	801076.22735	475643.90329	Set RM monuments	---	---
3005	798071.73269	476061.22039	Set WC monument	---	---

REFER TO THE RESULTS OF SURVEY AND R/W PLANS FOR THE BASIS OF STATIONING.

① 1/2" Rebar w/ plastic cap PLS #19817 set for final R/W Monument. Standard ADOT R/W monument NOT to be set at this location.

② Unable to set. Set witness corner monument.

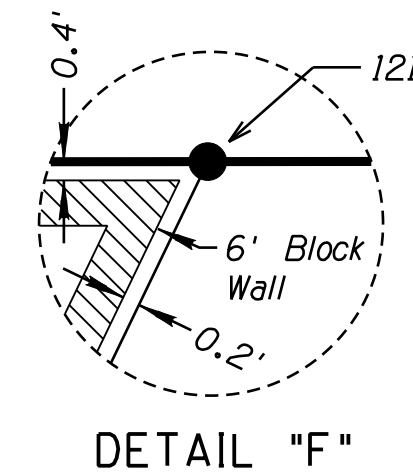
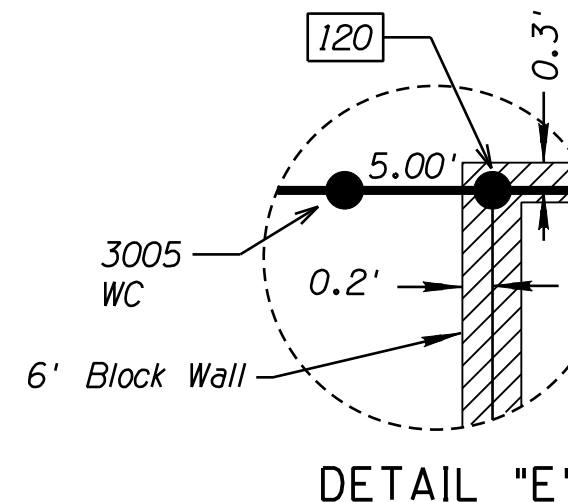
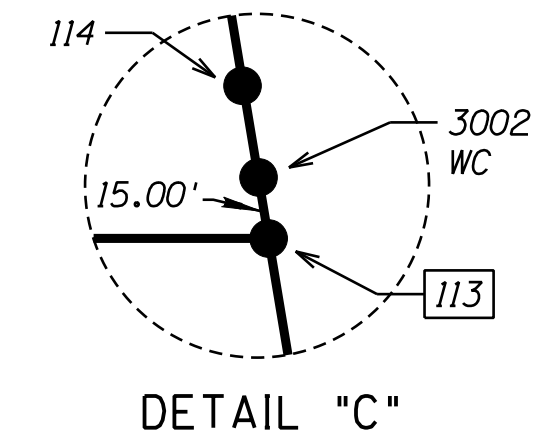
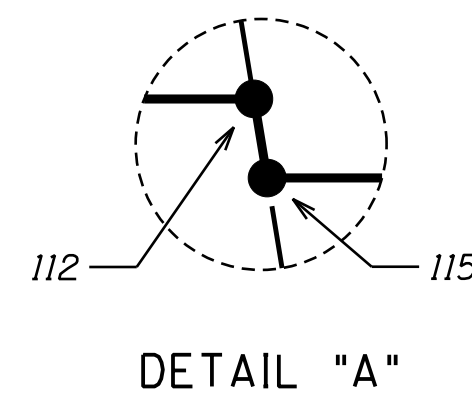
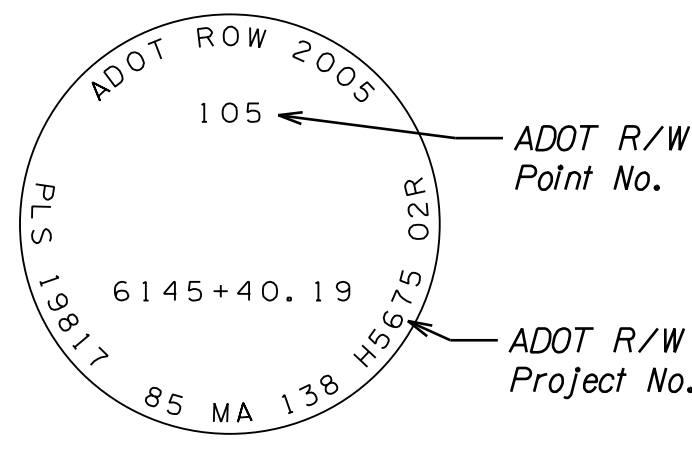
③ Fd. ADOT alum. cap in handhole as set by contractor. New monument is in different location than the former brass cap in handhole shown on sheet RS-2, point #1102.

④ Fd. ADOT alum. cap flush in conc. as set by contractor. New monument location is within tolerance (as defined by the current Arizona Boundary Survey Minimum Standards) of the calculated location of point #711 on sheet RS-2.

⑤ Monuments set at access control limits.

⑥ Unable to set. Set reference monuments.

STANDARD ADOT R/W MONUMENT DETAIL
Unless otherwise noted, all set monuments are 3" aluminum cap on 3/4" rebar. Typical stamping below.



LEGEND

- 302 Set Monument
- 300 Found Monument
- New R/W monument
- 301 Calculated position
- Existing ADOT R/W monument

0 250 500
Scale

exhibitF11.rs06.dgn

EXHIBIT-F11 ADOT CADD STANDARDS 2006

CHANGE ORDER REVISIONS				DRAWING NO.	D-7-T-940	ARIZONA DEPARTMENT OF TRANSPORTATION INTERMODAL TRANSPORTATION DIVISION RIGHT OF WAY PLANS SECTION	
C.O. NO.	DATE	BY	DESCRIPTION OF REVISIONS			SURVEY	March 2003
				DRAWN/DATE	J. Crume/Sep 01	GILA BEND - BUCKEYE	
				ADOT REVIEW	B. Gurney	FEDERAL AID NO.:	S 085-B-701
				HUBBARD ENGINEERING 480-892-3313 Gilbert, AZ jcrume@heaz.us Job # 20047		PROJECT NO.:	085 MA 138 H5675 02R
				ROUTE NO.:	S.R. 85	LOCATION:	Lewis Prison - Gila River

PRELIMINARY
NOT FOR
CONSTRUCTION
OR RECORDING
--Created--
9/9/2009
9:39:45 AM

SHEET MS-2