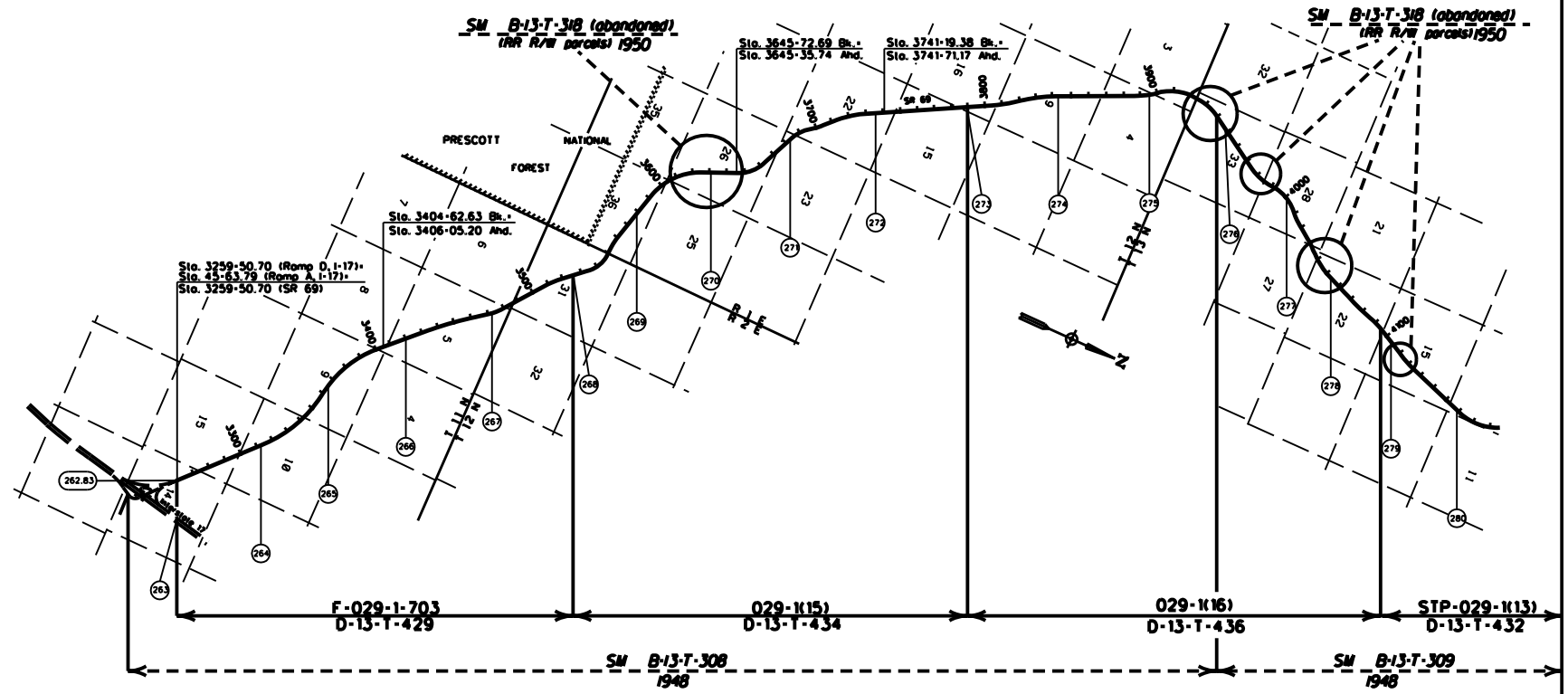


YAVAPAI COUNTY

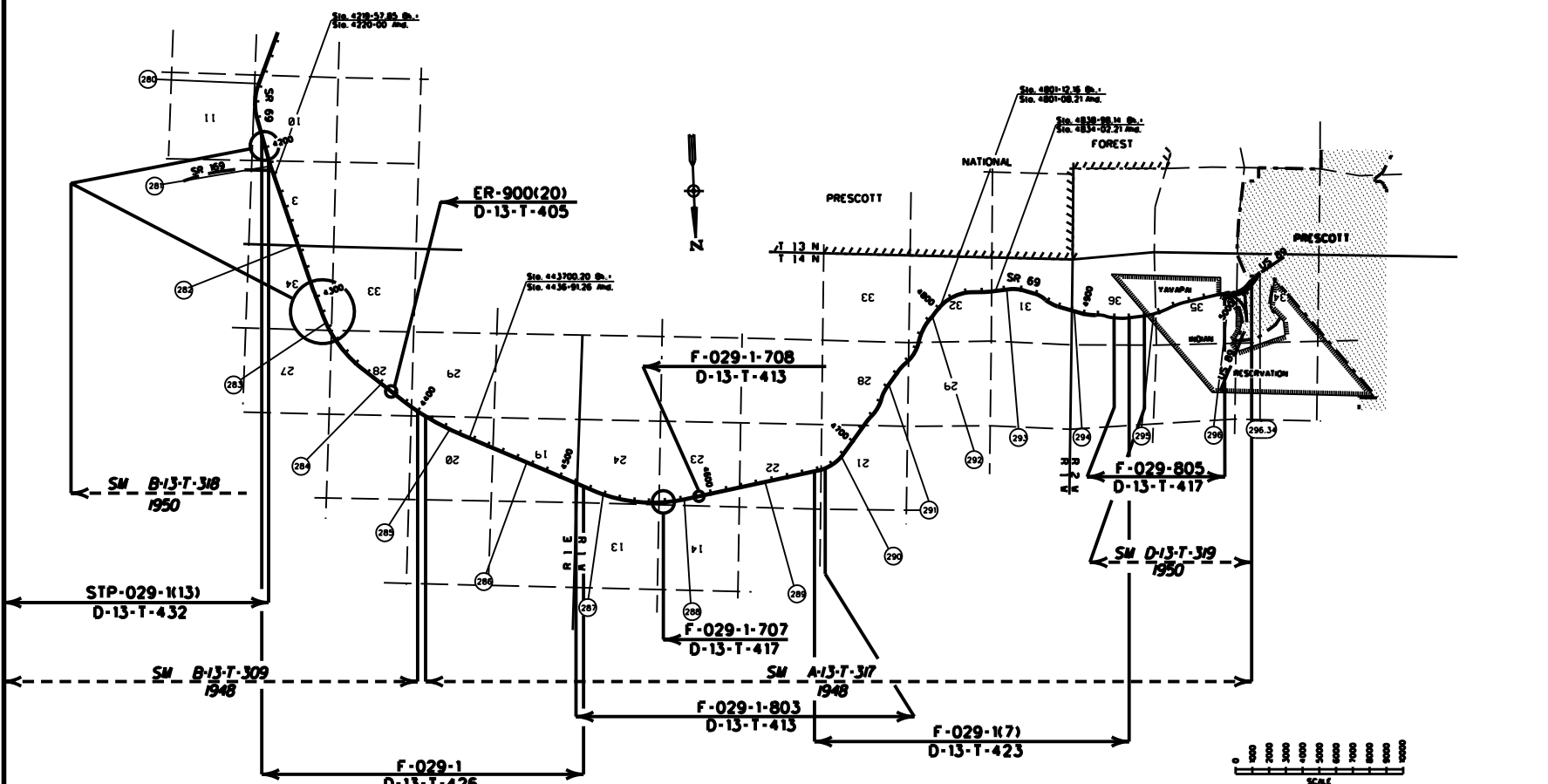


<p>LEGEND</p> <p> HIGHWAY MILEPOST STATIONING TICKS STRIP MAP SHEET MAP </p>	<p>ARIZONA DEPARTMENT OF TRANSPORTATION INTERMODAL TRANSPORTATION DIVISION RIGHT OF WAY SECTION</p>		<p>1</p>
	<p>MILEPOST MAP</p>		
	<p>PROJECT SR 69</p>	<p>PROJECT 362.85 - 280.00</p>	

CORDES JUNCTION - PRESCOTT HWY

COPIES OF RIGHT OF WAY MAP SHEETS AND STRIP MAPS ARE AVAILABLE TO THE PUBLIC FROM: RIGHT OF WAY PLANS SECTION, MAIL DROP 612, 206 SOUTH 17TH AVENUE, PHOENIX AZ 85007, TELEPHONE (602)712-7270.

YAVAPAI COUNTY

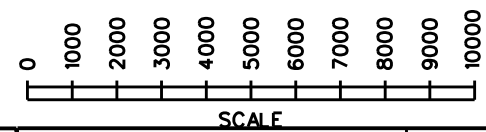
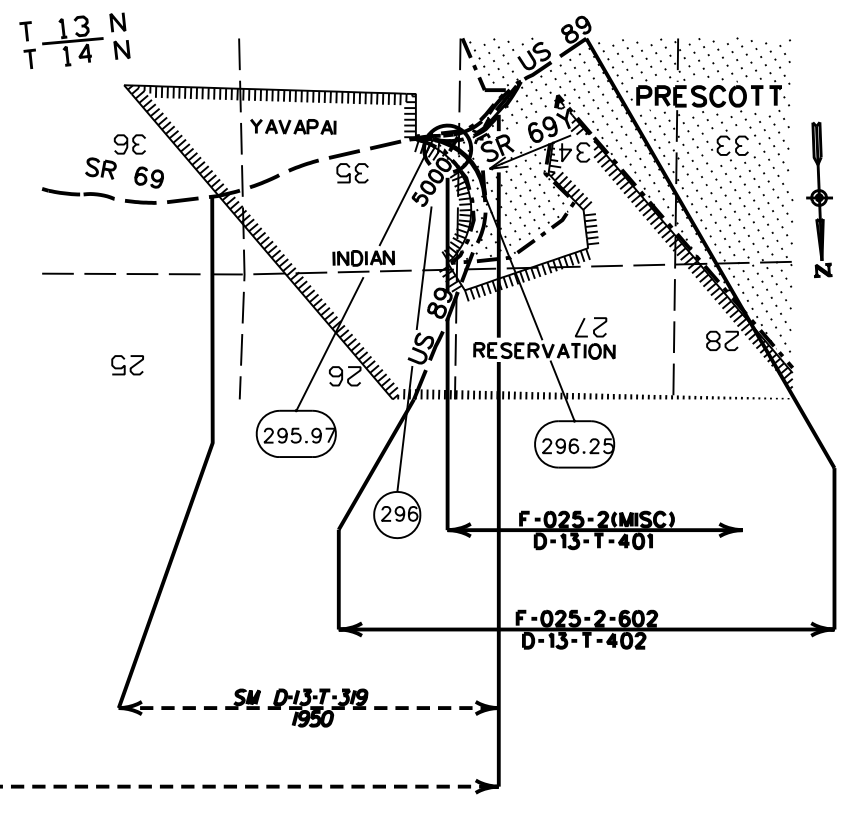


COPIES OF RIGHT OF WAY MAP SHEETS AND STRIP MAPS ARE AVAILABLE TO THE PUBLIC FROM: RIGHT OF WAY PLANS SECTION, MAIL DROP 612C, 206 SOUTH 17TH AVENUE, PHOENIX AZ 85007, TELEPHONE (602)712-7270.

<p>LEGEND</p> <p>HIGHWAY</p> <p>MILEPOST</p> <p>STATIONING TICS</p> <p>STRIP MAP</p> <p>SHEET MAP</p>		<p>ARIZONA DEPARTMENT OF TRANSPORTATION</p> <p>INTERMODAL TRANSPORTATION DIVISION</p> <p>RIGHT OF WAY SECTION</p>	<p>2</p>
	<p>MILEPOST MAP</p>		
	<p>SR 69</p>	<p>200.00 - 296.34</p>	

CORDES JUNCTION - PRESCOTT HWY

YAVAPAI COUNTY



SCALE

LEGEND

HIGHWAY	
MILEPOST	
STATIONING TICKS	
STRIP MAP	
SHEET MAP	

ARIZONA DEPARTMENT OF TRANSPORTATION INTERMODAL TRANSPORTATION DIVISION RIGHT OF WAY SECTION	
MILEPOST MAP	
ROUTE SR 69Y	MILEPOST 296.97 - 296.25
HIGHWAY NAME SR 69 WYE LEG	

1

COPIES OF RIGHT OF WAY MAP SHEETS AND STRIP MAPS ARE AVAILABLE TO THE PUBLIC FROM: RIGHT OF WAY PLANS SECTION, MAIL DROP 612E, 206 SOUTH 17TH AVENUE, PHOENIX AZ 85007, TELEPHONE 1602172-7270.