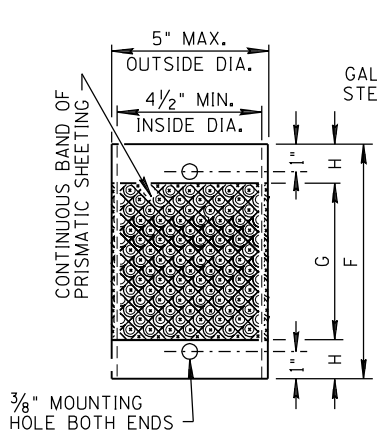
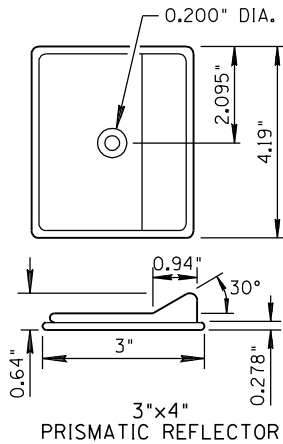
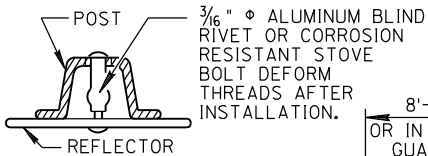


NO	DESCRIPTION OF REVISIONS	MADE BY	DATE
1	RE-ISSUE	L. LOPEZ	2/02
2	EDIT NOTE #7	L. LOPEZ	9/06
3			
4			

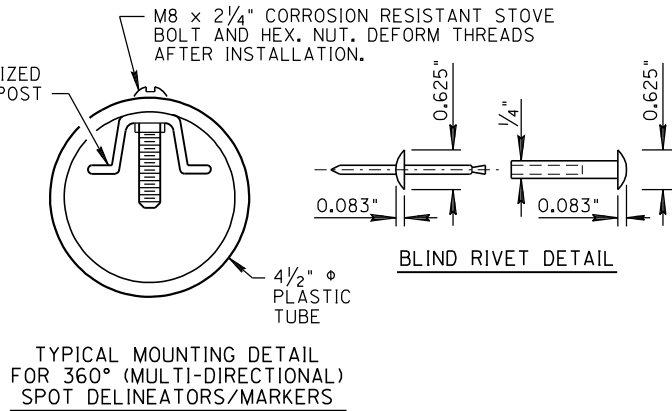


SINGLE 360° SPOT DELINEATOR DETAIL

TYPE	SINGLE 360° SPOT DELINEATOR DIMENSIONS (IN INCHES)		
	F	G	H
6"	6	4	1
12"	12	6	3

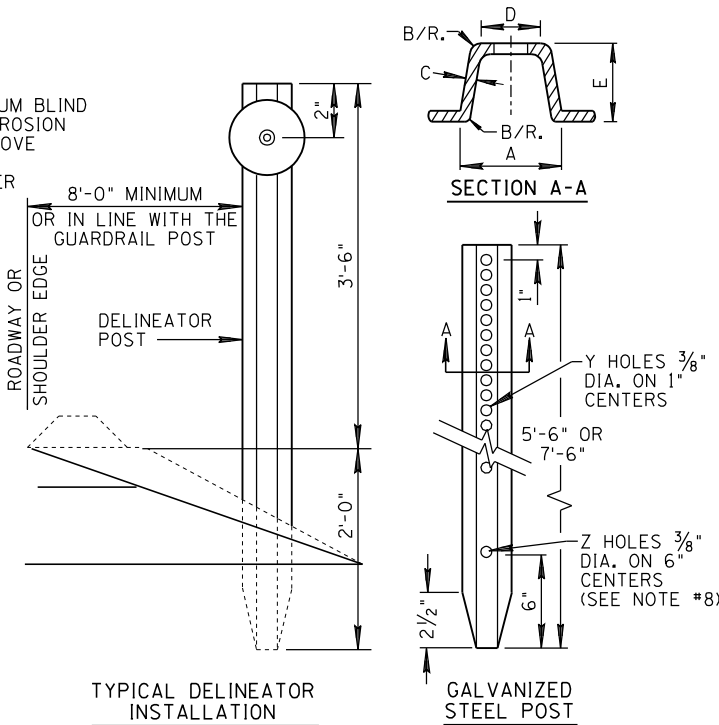


PRISMATIC REFLECTOR



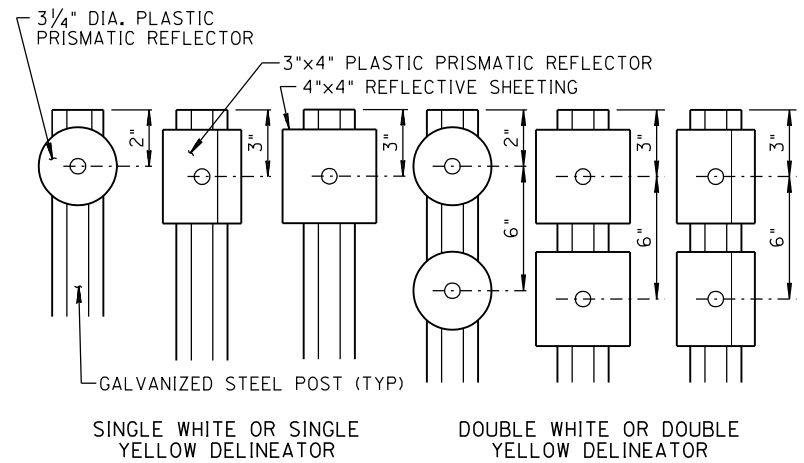
TYPICAL MOUNTING DETAIL FOR 360° (MULTI-DIRECTIONAL) SPOT DELINEATORS/MARKERS

POST SIZE (in)	DIMENSIONS (in)						
	A	B	C	D	E	Y	Z
5' - 6"	1 7/8	7/8	7/8	7/8	7/8	36	4
7' - 6"	1 5/8	3/16	7/8	1	1 1/2	48	6



TYPICAL DELINEATOR INSTALLATION

GALVANIZED STEEL POST



SINGLE WHITE OR SINGLE YELLOW DELINEATOR

DOUBLE WHITE OR DOUBLE YELLOW DELINEATOR

NOTES:

- REFLECTIVE DEVICES SHALL BE PLASTIC PRISMATIC REFLECTORS (3/4" DIAMETER CIRCULAR OR 3"x4" RECTANGULAR), REFLECTIVE SHEETING (4"x4" REFLECTIVE SHEETING) OR 4" WIDE REFLECTIVE SHEETING ENCIRCLING UV RESISTANT PLASTIC TUBE.
- PRISMATIC REFLECTORS SHALL BE CRYSTAL OR YELLOW AS REQUIRED AND SHALL CONFORM TO SECTION 1008 OF THE STANDARD SPECIFICATIONS.
- REFLECTIVE SHEETING SHALL BE SILVER-WHITE OR YELLOW AS REQUIRED AND SHALL CONFORM TO SECTION 1007 OF THE STANDARD SPECIFICATIONS.
- BASE PLATES FOR REFLECTIVE SHEETING TYPE REFLECTORS SHALL BE FABRICATED FROM 0.063" THICK 3003-H14, 5052-H38 OR 6061-T6 ALUMINUM ALLOY ETCHED ON BOTH SIDES.
- REFLECTIVE SHEETING TYPE REFLECTORS SHALL BE ORIENTED IN A SQUARE CONFIGURATION.
- TUBE FOR 360° DELINEATORS SHALL BE WHITE OR YELLOW UV RESISTANT PLASTIC TUBE WITH AN OUTSIDE DIAMETER OF 4 1/2" MINIMUM WALL THICKNESS OF 3/8" UV RESISTANT PLASTIC TUBE SHALL BE CLEAN.
- STEEL POSTS SHALL CONFORM TO ASTM A499-81 GRADE 60, OR ASTM A576 GRADE 1080, OR ASTM A570 GRADE 60 AND SHALL WEIGH 1.21 LBS./FT. WITH A WEIGHT TOLERANCE OF +5%. POSTS SHALL BE WEIGHT HOT-DIPPED GALVANIZED IN ACCORDANCE WITH ASTM A123.
- 5'-6" POSTS MAY BE PUNCHED THE FULL LENGTH WITH 3/8" DIAMETER HOLES AT 1" CENTERS AS AN ACCEPTABLE ALTERNATE TO HOLE SPACING SHOWN.
- PRISMATIC REFLECTOR DIMENSIONS ARE NOMINAL.
- ALL DIMENSIONS ARE IN INCHES, EXCEPT AS NOTED.

DESIGN APPROVED	ARIZONA DEPARTMENT OF TRANSPORTATION INTERMODAL TRANSPORTATION DIVISION STANDARD DRAWINGS	REV. 9/06
APPROVED FOR POSTING	DELINEATOR AND GALVANIZED STEEL POST DETAILS	DRAWING NO. M-25

NOT TO SCALE

SIGNATURE ON FILE