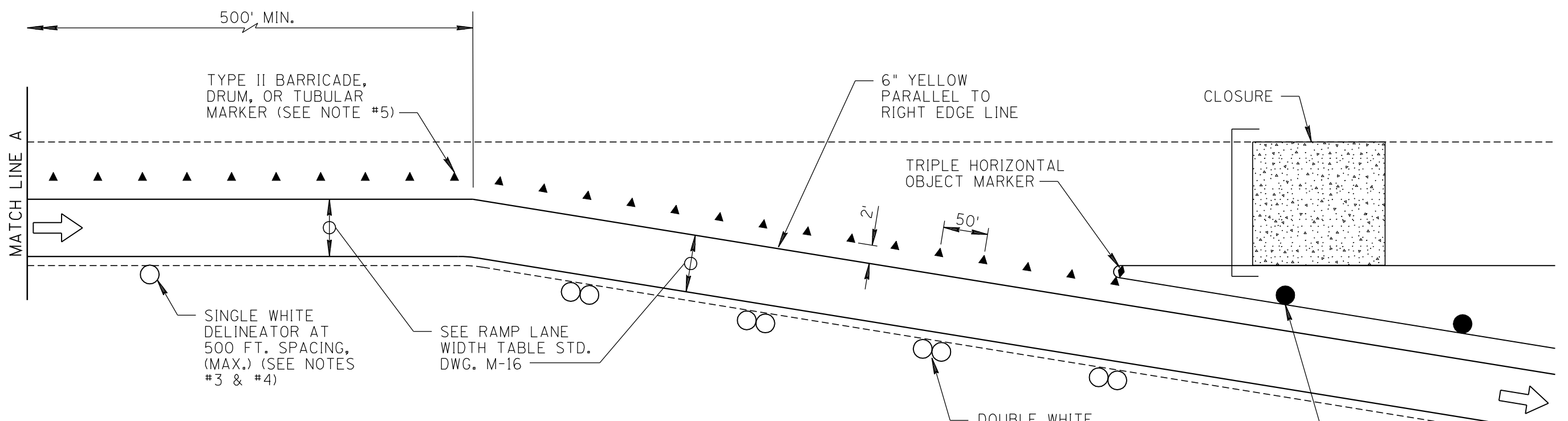
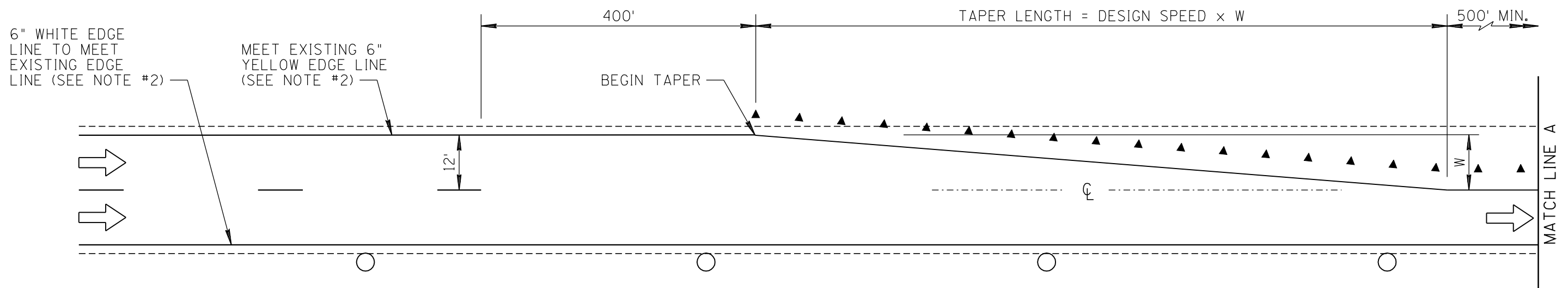


NO	DESCRIPTION OF REVISIONS	MADE BY	DATE
1	RE-ISSUE	L. LOPEZ	2/02
2			
3			
4			



NOTES:

1. WHERE ROADWAY CONDITIONS DO NOT PERMIT THE USE OF THIS STANDARD, ALTERNATE TREATMENT SHALL BE AS DIRECTED BY THE ENGINEER.
2. WHERE THERE IS NO EXISTING EDGE LINE, TAPER TO EDGE OF PAVED SHOULDER.
3. DELINEATORS SHALL BE SPACED BY THE SPACING TABLE SHOWN ON STANDARD DRAWINGS M-26.
4. WHERE ADDITIONAL DELINEATION IS NECESSARY, PLACE REQUIRED DELINEATORS MID-WAY BETWEEN NORMALLY SPACED DELINEATORS.
5. USE PORTABLE GUARDRAIL OR CONCRETE BARRIER WHEN SPECIFIED BY THE ENGINEER.

NOT TO SCALE

DESIGN APPROVED APPROVED DISTRIBUTION SIGNATURE ON FILE	ARIZONA DEPARTMENT OF TRANSPORTATION INTERMODAL TRANSPORTATION DIVISION STANDARD DRAWINGS	REV. 2/02
	STRIPING AND DELINEATION FOR FREEWAY TERMINALS	DRAWING NO. M-3