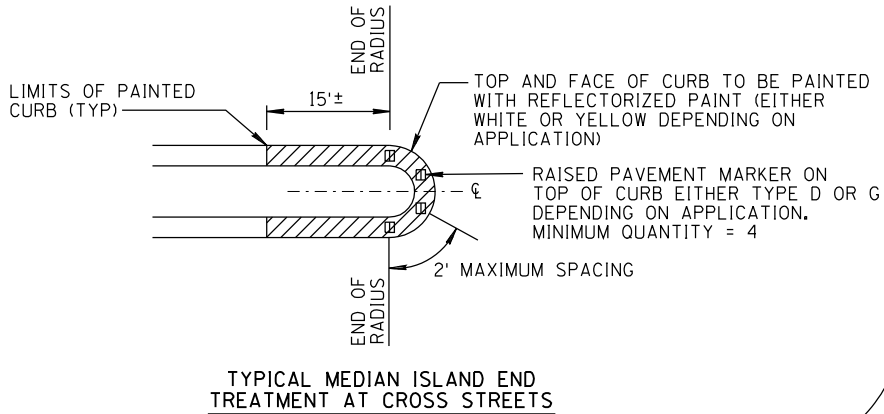
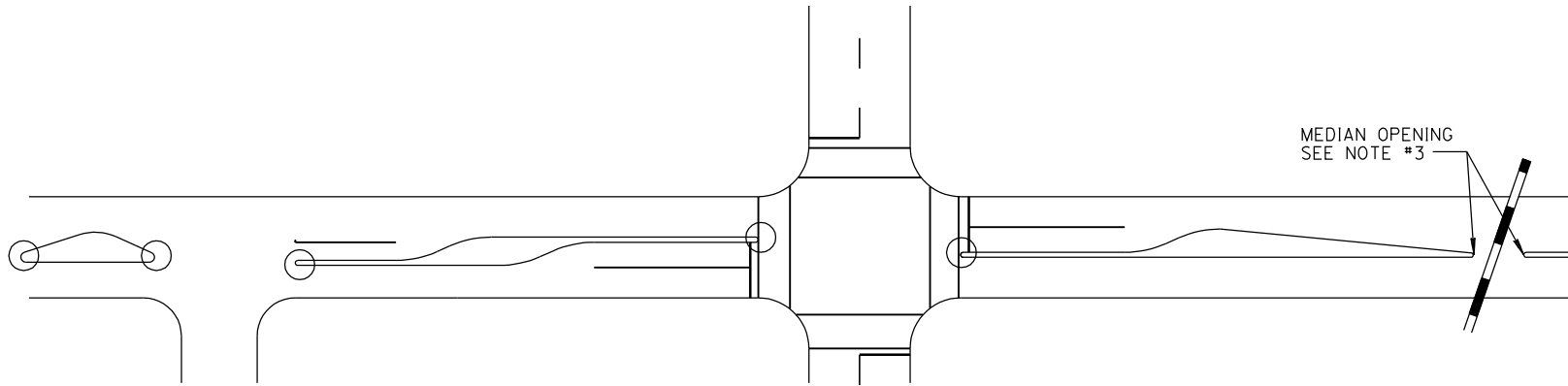
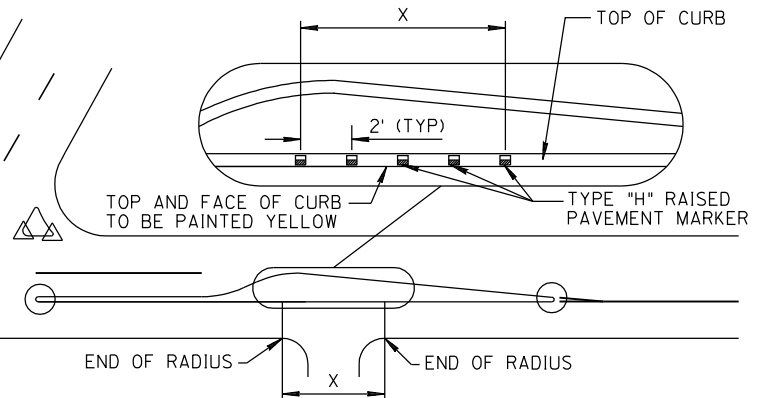


NO	DESCRIPTION OF REVISIONS	MADE BY	DATE
1	RE-ISSUE	L. LOPEZ	2/02
2			
3			
4			



NOTES:

1. MEDIAN ISLAND END PLUS 15 FEET OF CURB ON EACH SIDE OF THE ISLAND SHALL BE PAINTED AS INDICATED BY THE LEGEND.
2. CURBS OF ISLANDS 50 SQUARE FEET OR LESS IN AREA SHALL BE PAINTED.
3. CURBS AT OPENINGS IN A CONTINUOUS MEDIAN ISLAND SHALL NOT BE PAINTED UNLESS DIRECTED BY THE ENGINEER.
4. RAISED PAVEMENT MARKERS SHALL BE PLACED SO THAT THE REFLECTIVE FACE OF THE MARKER IS FACING TRAFFIC.



- TO BE PAINTED YELLOW
- △ TO BE PAINTED WHITE

NOT TO SCALE

DESIGN APPROVED	ARIZONA DEPARTMENT OF TRANSPORTATION INTERMODAL TRANSPORTATION DIVISION STANDARD DRAWINGS	REV.
SIGNATURE ON FILE		2/02
APPROVED BY	CURB MARKINGS FOR RAISED MEDIANS AND ISLANDS	DRAWING NO. M-1