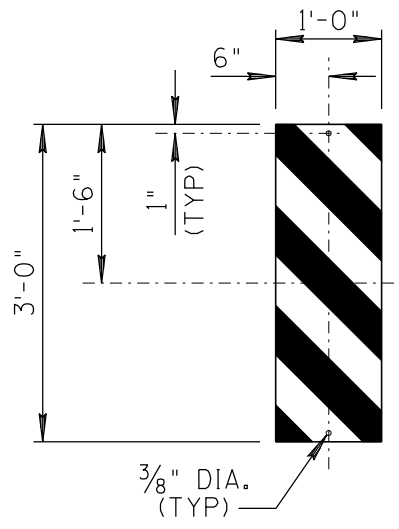
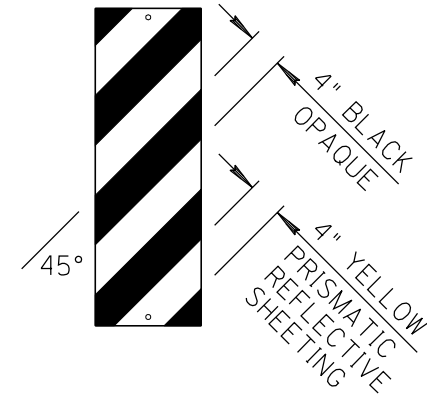


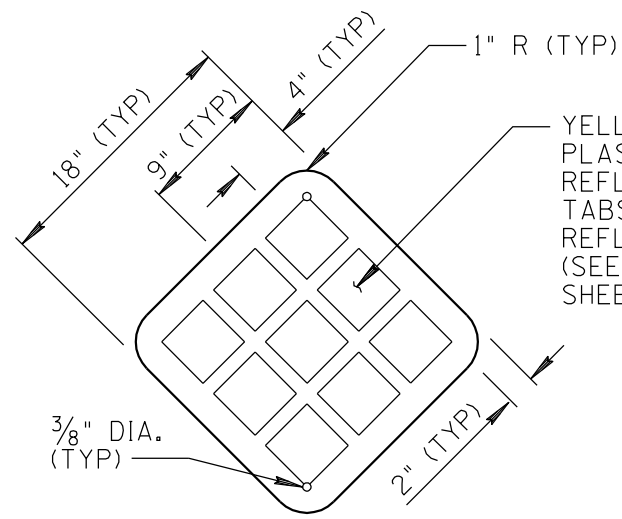
NO	DESCRIPTION OF REVISIONS	MADE BY	DATE
1	RE-ISSUE	L. LOPEZ	2/02
2	RE-DESIGN TYPE 2 OBJECT MARKERS	M. ZUBI	5/03
3	ADDED ATTENUATOR OBJECT MARKER DETAIL	L. LOPEZ	12/08
4			



TYPE 3(1)L

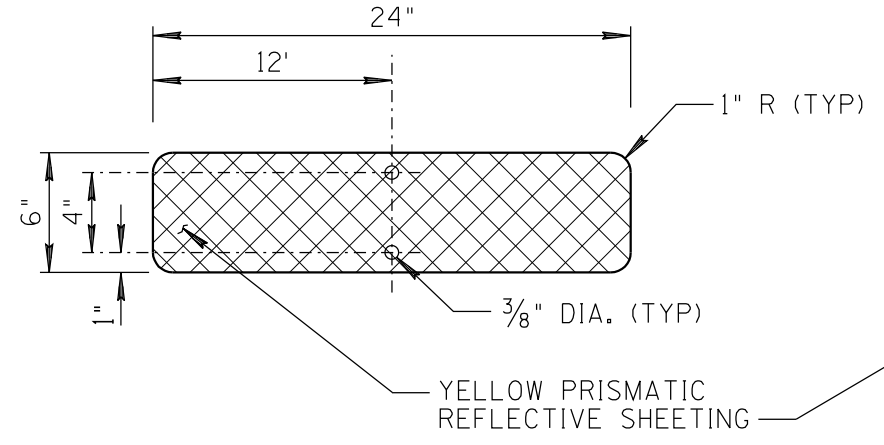


TYPE 3(1)R

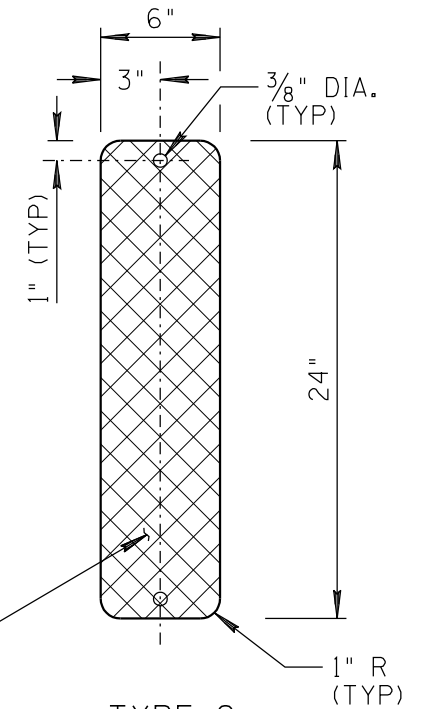


TYPE 1 OR 4 OBJECT MARKER

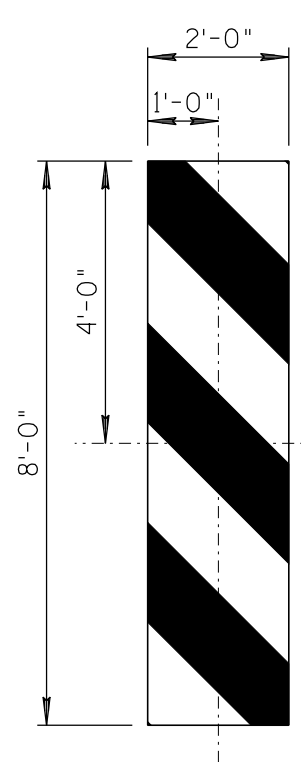
YELLOW OR RED PLASTIC PRISMATIC REFLECTORS OR REFLECTOR TABS OF PRISMATIC REFLECTIVE SHEETING. (SEE NOTES #1 AND #5 SHEET 2 OF 2)



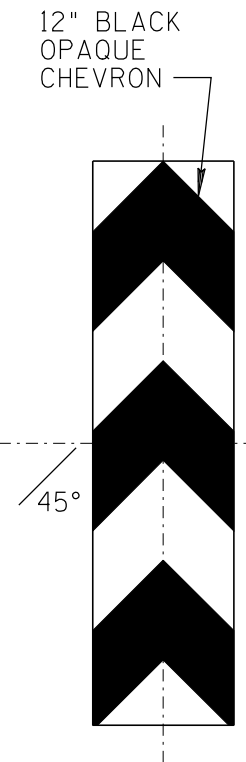
TYPE 2 OBJECT MARKER HORIZONTAL



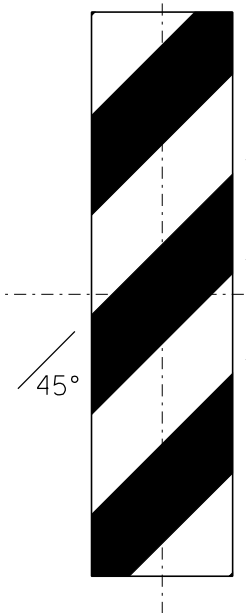
TYPE 2 OBJECT MARKER VERTICAL



TYPE 3(2)L

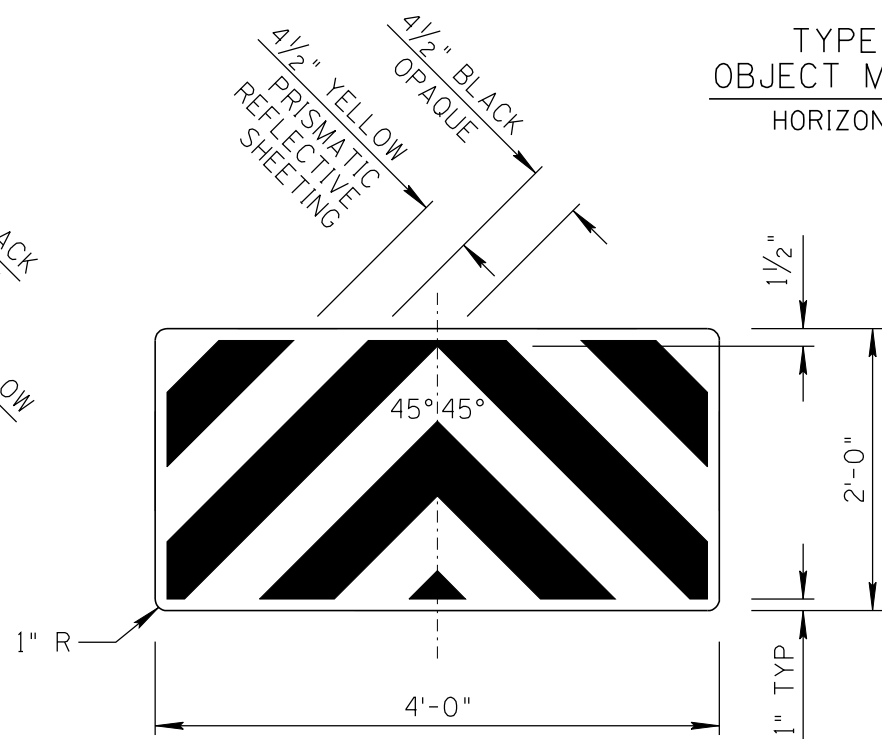


TYPE 3(2)C



TYPE 3(2)R

TYPE 3 OBJECT MARKERS



ATTENUATOR OBJECT MARKER DETAILS

SHEET 1 OF 2 NOT TO SCALE

DESIGN APPROVED
SIGNATURE
ON FILE

ARIZONA DEPARTMENT OF TRANSPORTATION INTERMODAL TRANSPORTATION DIVISION STANDARD DRAWINGS		REV. 12/08
OBJECT MARKER DETAILS	DRAWING NO. M-23	