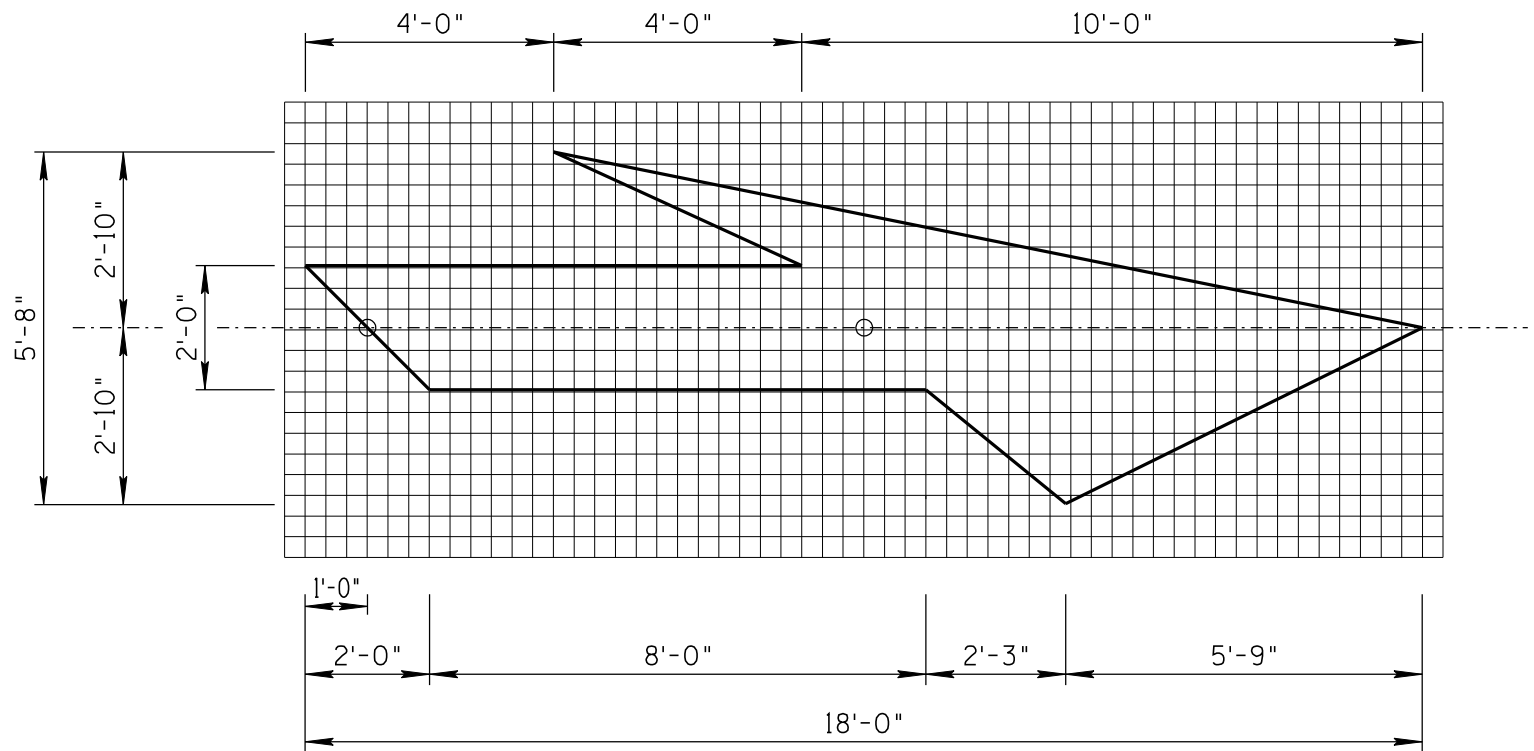
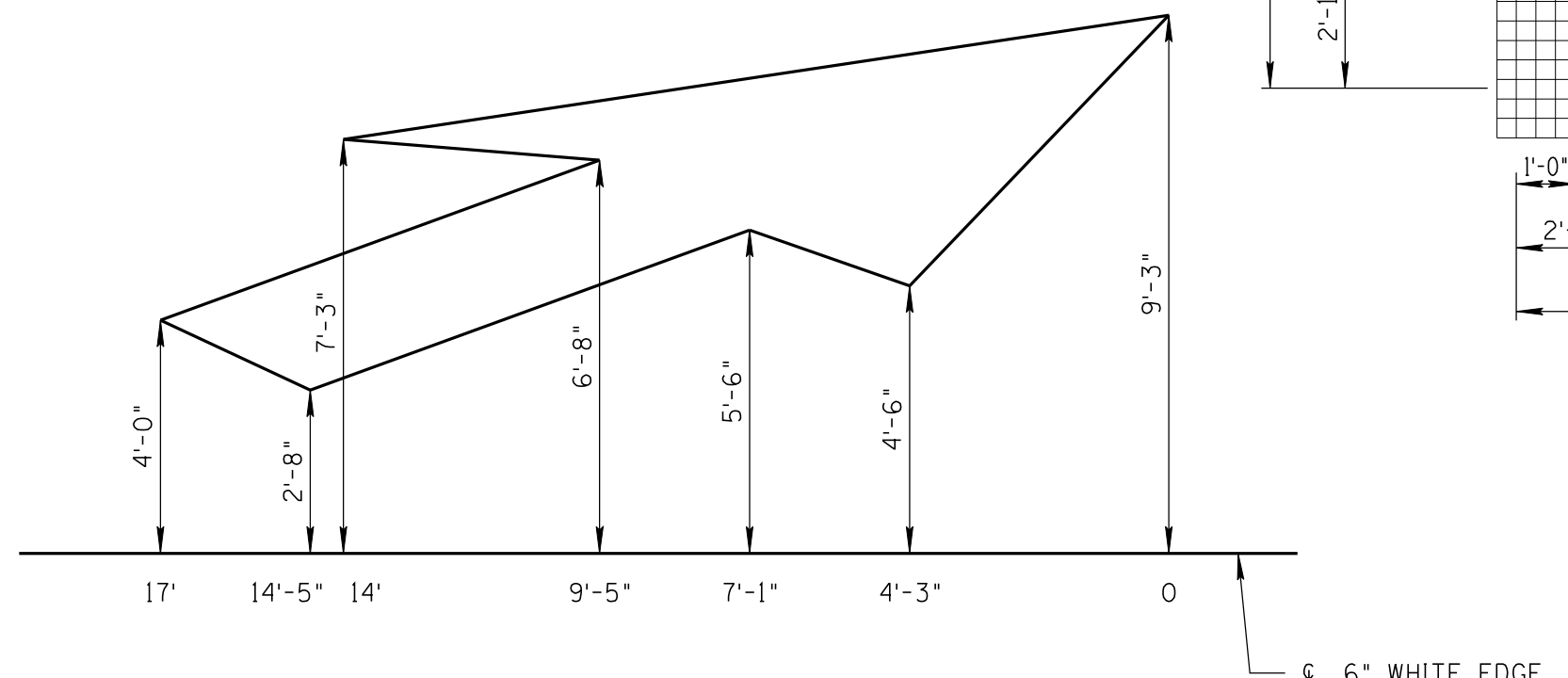
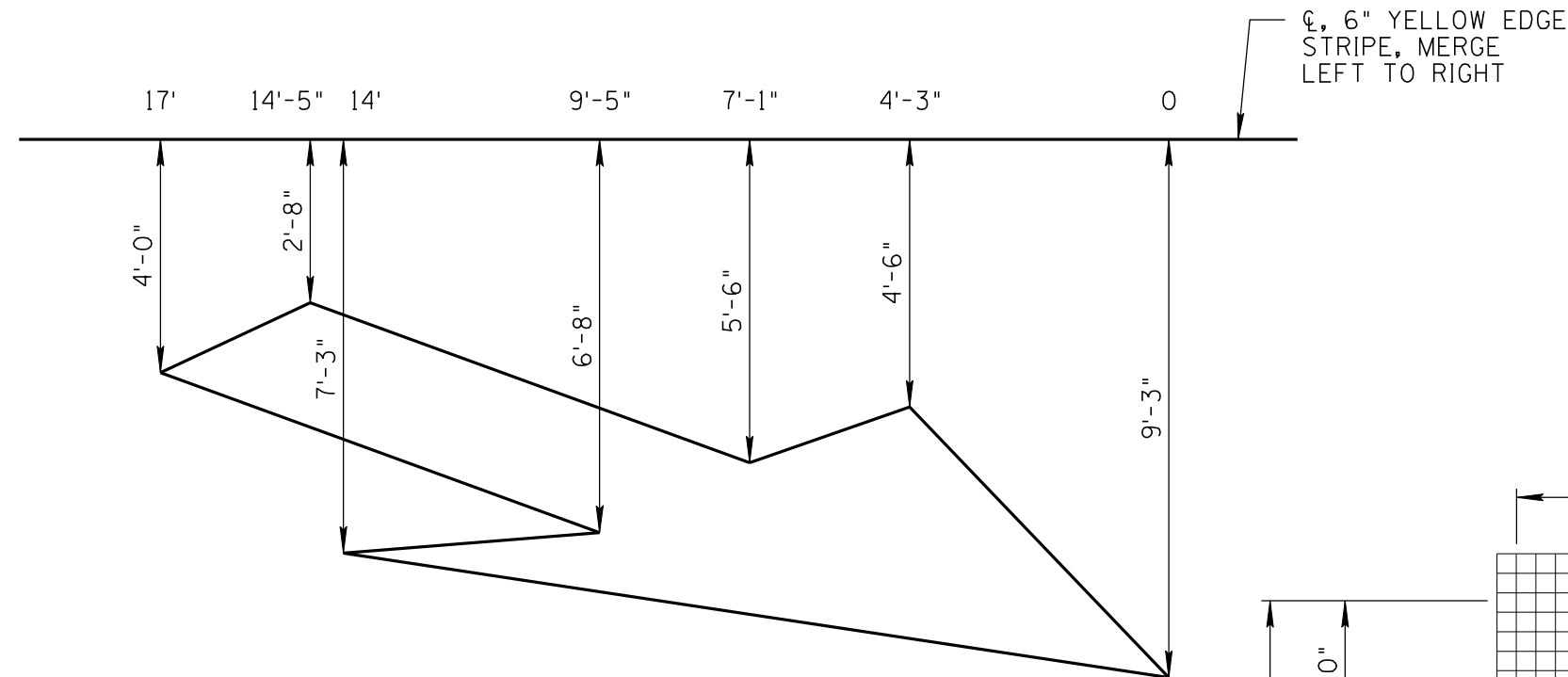



NO	DESCRIPTION OF REVISIONS	MADE BY	DATE
1	RE-ISSUE	L. LOPEZ	2/02
2	ADDED 18 IN. LANE DROP ARROW & CREATED SHT. 2 OF 2.	L. LOPEZ	5/03
3	RE-DESIGNED ARROWS, ADDED TRIPLE ARROW.	L. LOPEZ	1/05
4	REVISED LANE DROP ARROW DETAIL & MOVED IT TO SHEET 2 OF 3.	L. LOPEZ	9/08



ARROW DETAILS
 1 UNIT = 4"
 ALL SYMBOLS/LEGEND SHALL BE WHITE

SHEET 2 OF 3
 NOT TO SCALE

DESIGN APPROVED  APPROVED FOR DISTRIBUTION SIGNATURE ON FILE	ARIZONA DEPARTMENT OF TRANSPORTATION INTERMODAL TRANSPORTATION DIVISION STANDARD DRAWINGS	REV. 9/08
	PAVEMENT MARKING SYMBOLS	DRAWING NO. M-10