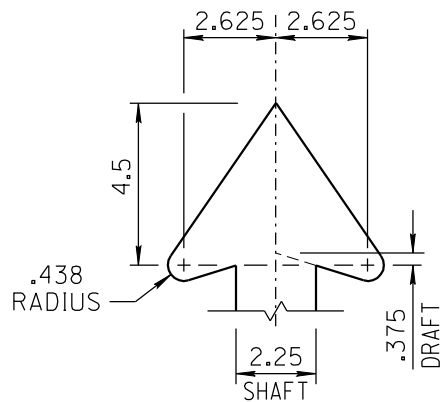
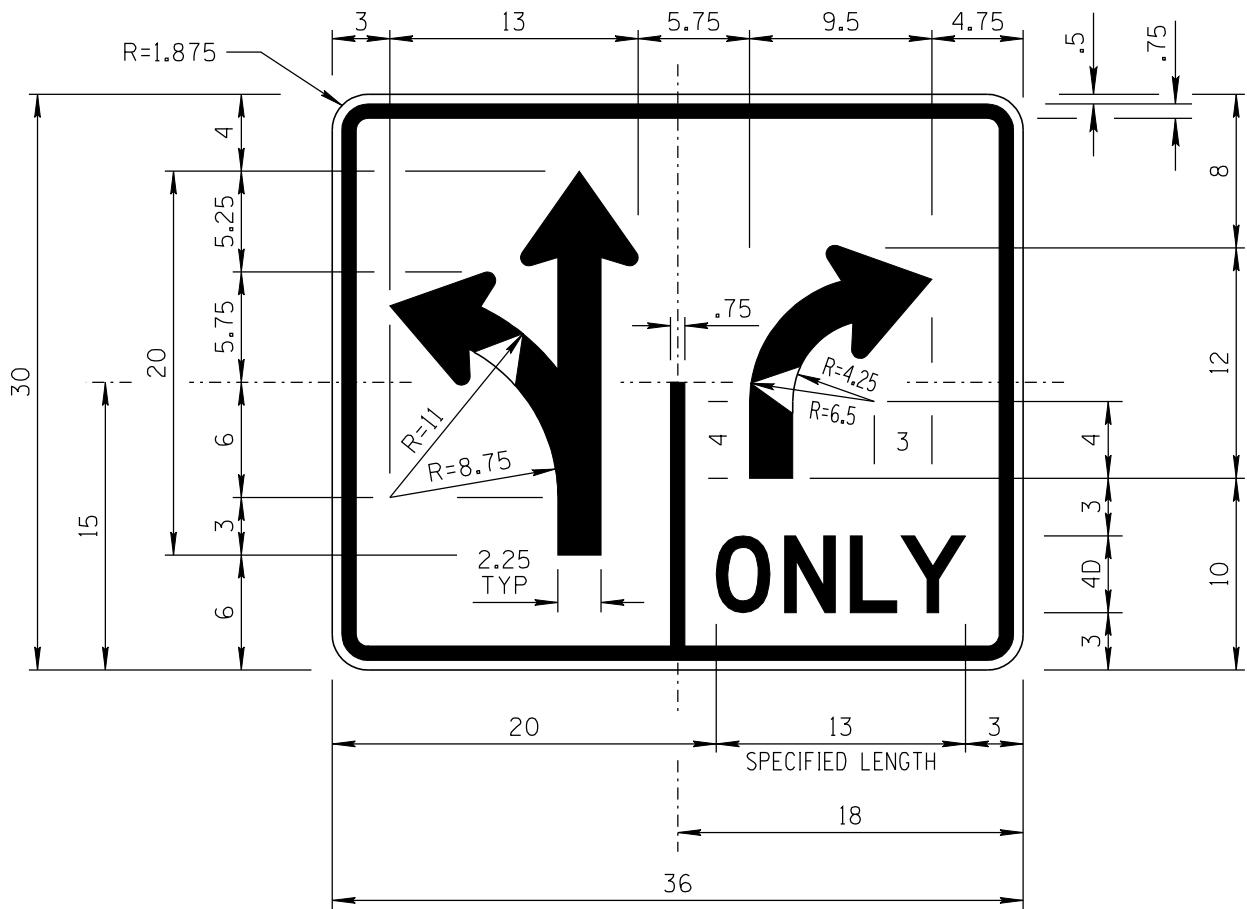



CODE R3-8s1b



STANDARD ARROW DETAILS

ALL DIMENSIONS ARE IN INCHES

	<p>COLORS: LEGEND & BORDER - BLACK (NON-REFL) BACKGROUND - WHITE (REFL)</p>	ARIZONA DEPARTMENT OF TRANSPORTATION TRAFFIC ENGINEERING GROUP	
		DRAWN L. LOPEZ	DATE 2/07
		APPROVED SIGNATURE ON FILE	