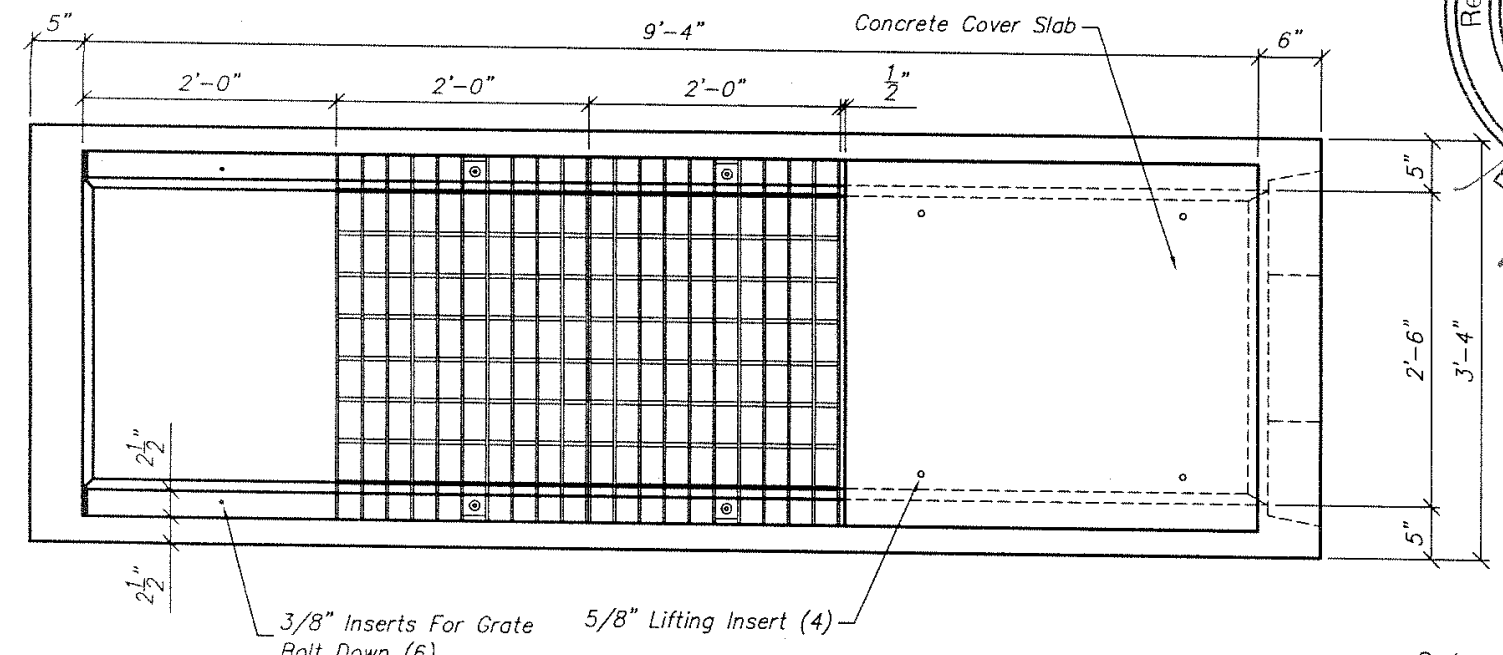
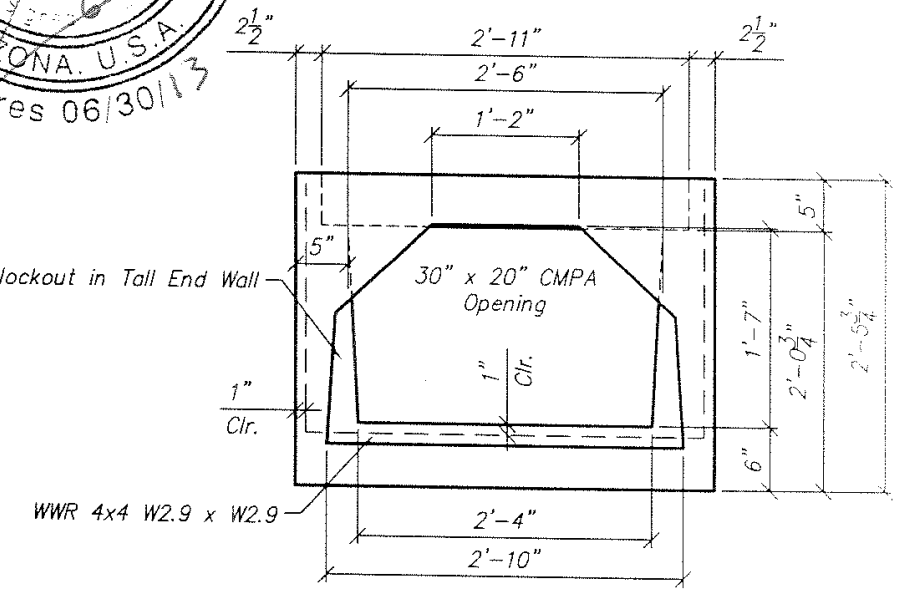


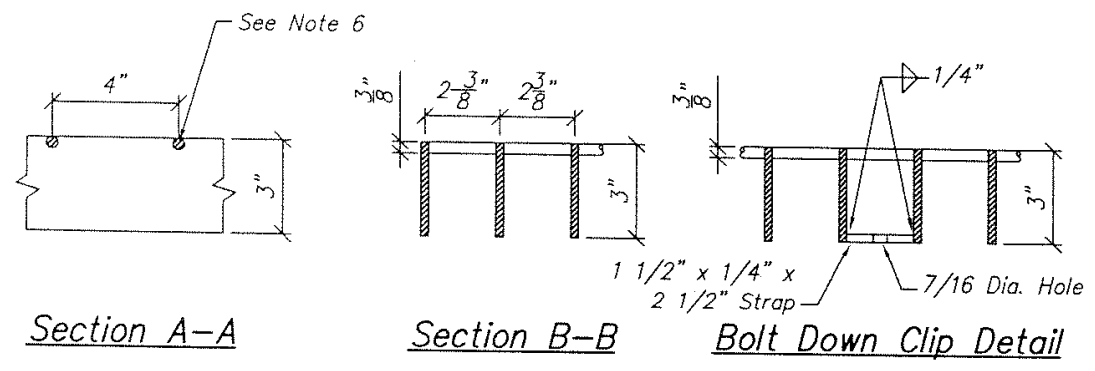
REV	DESCRIPTION	BY	DATE
A	Added Dimensions To End Blockout	AT	1/10/93
B	Added New Title Block	AT	12/16/95



Plan View
(Grates Not Shown)



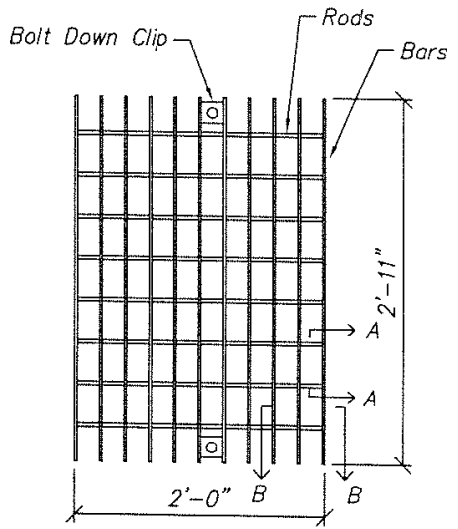
End View



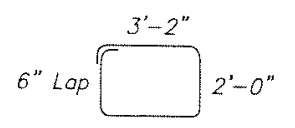
Section A-A

Section B-B

Bolt Down Clip Detail



Grate Detail



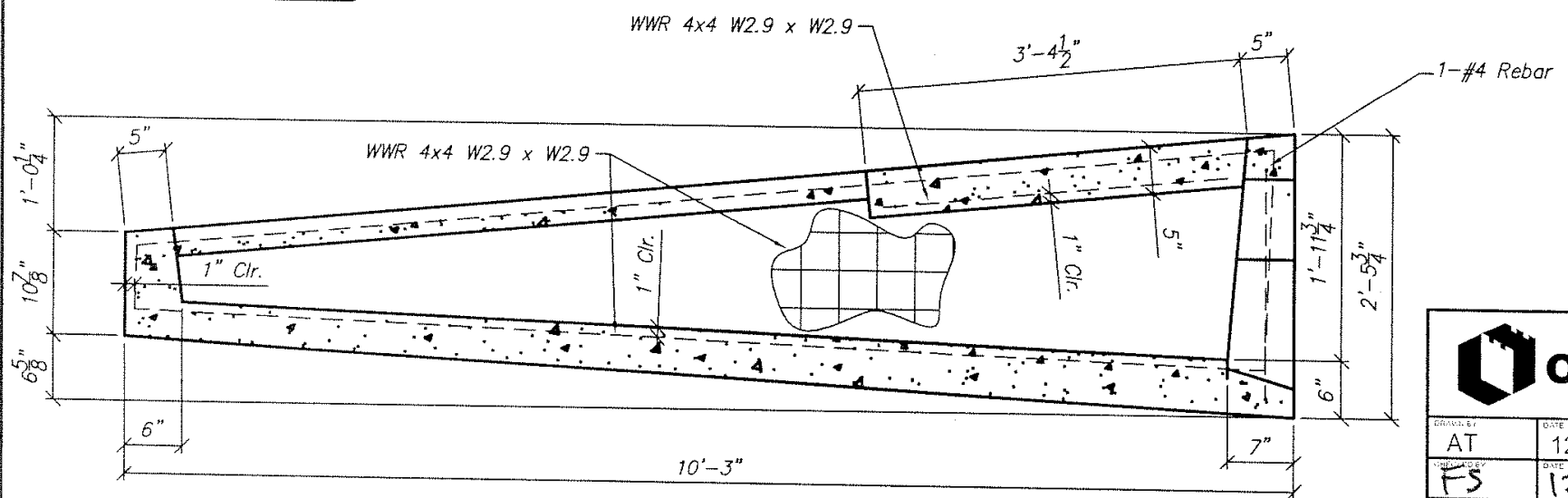
6" Lap

STRUCTURAL NOTES:

- 1.) CONCRETE: 28 DAY COMPRESSIVE STRENGTH F'C = 5000 PSI
- 2.) REBAR: ASTM A-615 GRADE 60
- 3.) MESH: ASTM A-185 GRADE 65
- 4.) DESIGN: ACI-318-95 BUILDING CODE
ASTM C-857 "MINIMUM STRUCTURAL DESIGN LOADING FOR UNDERGROUND PRECAST CONCRETE UTILITY STRUCTURES"
- 5.) LOADS: HS20-44 W/30% IMPACT PER AASHTO
80 PSF LATERAL LIVE LOAD SURCHARGE - UP TO 8'-0" DEPTH
SOIL: 40 PCF LATERAL SOIL PRESSURE ABOVE WATER TABLE
80 PCF LATERAL SOIL PRESSURE BELOW WATER TABLE
120 PCF SOIL DENSITY
- 6.) SOIL COVER: NO SOIL COVER
- 7.) WATER TABLE: 5'-0" BELOW GRADE

GENERAL NOTES:

- 1.) CONCRETE SHALL CONFORM TO THE REQUIREMENTS FOR CLASS S CONCRETE. THE MINIMUM STRENGTH SHALL BE 4000 PSI.
- 2.) GROUT SHALL BE IN ACCORDANCE WITH STANDARD SPECIFICATIONS EXCEPT WATER CONTENT SHALL BE SUCH THAT THE CONSISTENCY IS PROPER FOR SMOOTH TROWLING
- 3.) ALL WELDING SHALL BE IN ACCORDANCE WITH STANDARD SPECIFICATION 604-3.06
- 4.) THE COMPLETED GRATE SHALL BE GIVEN ONE SHOP COAT OF NO. 1 PAINT
- 5.) FOUNDATION SOIL AND BACKFILL SHALL BE IN ACCORDANCE WITH SECTION 203-5 OF THE STANDARD SPECIFICATIONS.
- 6.) 3/8" DIAMETER CROSS BARS MAY BE FILLET WELDED, RESISTANCE WELDED, OR ELECTRO-FORGED TO BEARING BARS.



Section View

Oldcastle Precast

411 E. Frye Rd
Chandler, Arizona 85225
Tel: (480) 963-2078
Fax: (480) 899-1937

DRAWN BY AT	DATE 12/3/98	TITLE Precast Concrete Catch Basin			
DESIGNED BY FS	DATE 12-21-09	A.D.O.T. Model No. C-15.90 Standard			
THIS DRAWING AND ANY PRINT THEREOF IS THE PROPERTY OF OLDCASTLE PRECAST, INC. THE INFORMATION SHOWN IS CONFIDENTIAL AND THE RECIPIENT AGREES NOT TO USE IN ANY MANNER WHICH WILL BE DETRIMENTAL TO OLDCASTLE PRECAST, INC. COPYRIGHT © 2009 OLDCASTLE PRECAST, INC.			PROJECT NUMBER U9900-1	SCALE 1/2"=1'-0"	REVISED B
			1		