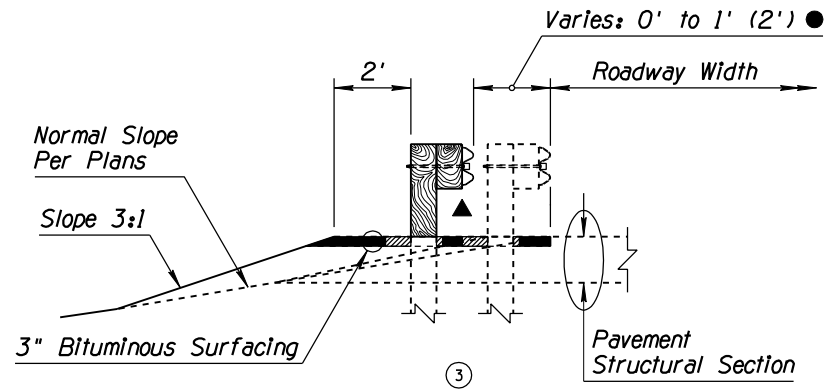


Date: 05/16/11

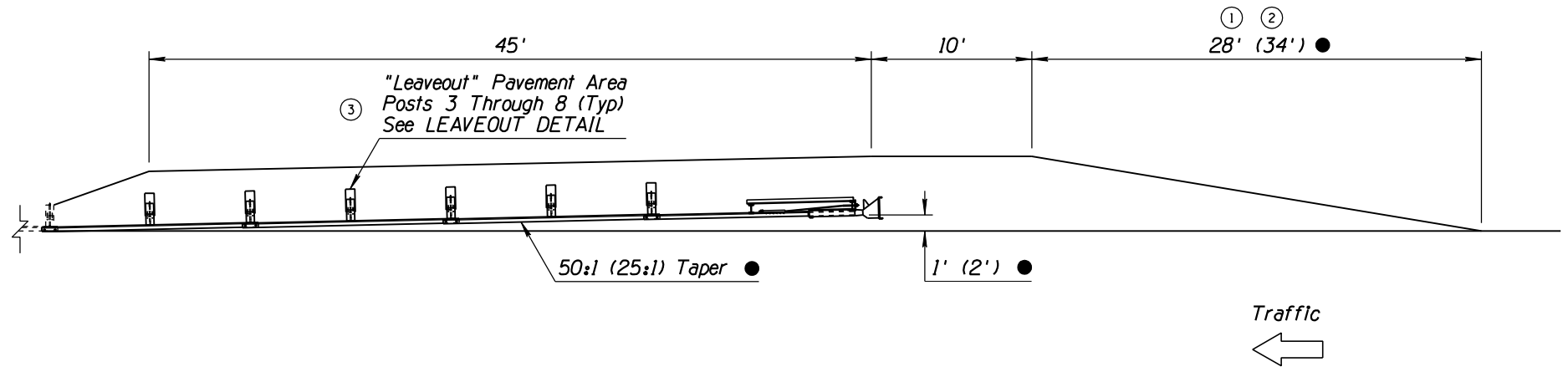
● FOR ELEVATIONS ABOVE 4,000 FT, USE THE VALUES IN PARENTHESES

▲ Top of Rail = 28"  
See General Note 1  
Std Dwg C-10.03

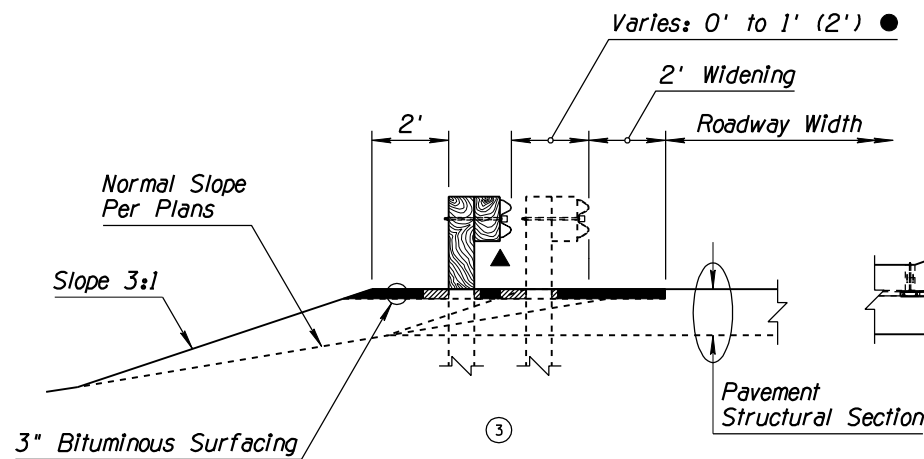
F.H.W.A. REGION	STATE	PROJECT NO.	SHEET NO.	TOTAL SHEETS	AS BUILT
9	ARIZ.				



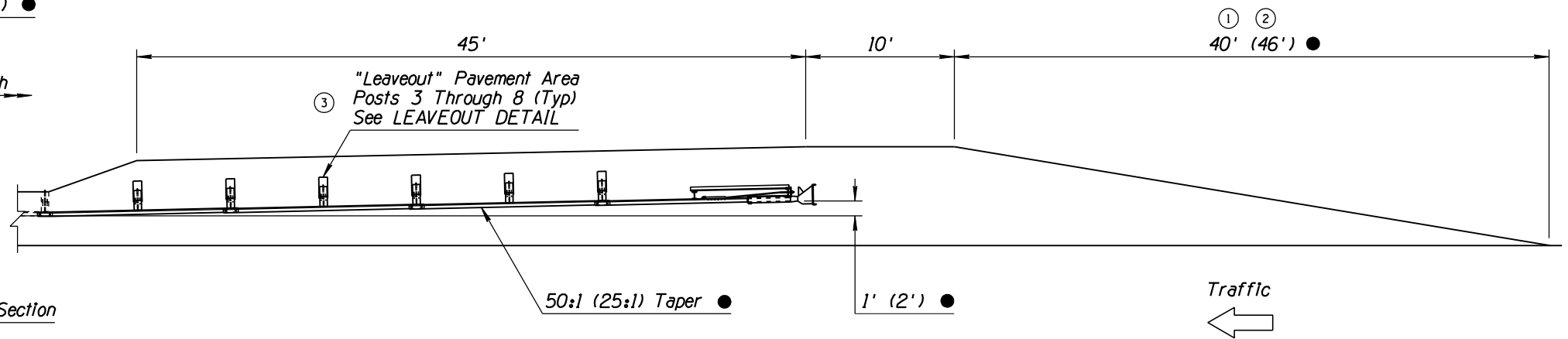
TYPE A SECTION



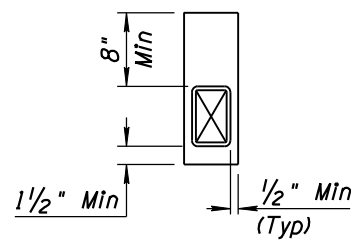
TYPE A GUARDRAIL INSTALLATION  
(FACE OF RAIL AT EDGE OF PAVEMENT)



TYPE B SECTION



TYPE B GUARDRAIL INSTALLATION  
(FACE OF RAIL OFFSET 2' FROM NORMAL EDGE OF PAVEMENT)



LEAVEOUT DETAIL

# DETAIL

Sheet 2 of 2  
LAYOUT FOR ET-PLUS  
HBA POSTS  
(AC PAVEMENT)

NO	DESCRIPTION OF REVISIONS	MADE BY	DATE
1	REISSUED DRAWING WITH MODIFIED APPROACH TAPER	RLF	5/22/07
2	REVISED APPROACH TAPER CRITERIA	RLF	7/09/09
3	ADDED "LEAVEOUT" CALLOUT & REVISED SECTION VIEWS	RLF	5/16/11
4	ADDED "LEAVEOUT" DETAIL	RLF	5/16/11

DESIGN APPROVED J.C. Cooper		ARIZONA DEPARTMENT OF TRANSPORTATION INTERMODAL TRANSPORTATION DIVISION ROADWAY GROUP PLANS DETAIL	
APPROVED FOR DISTRIBUTION Mary Viharina			
ROUTE	LOCATION	SHEET	OF
TRACS NO.			OF