

Date: 6/06/11

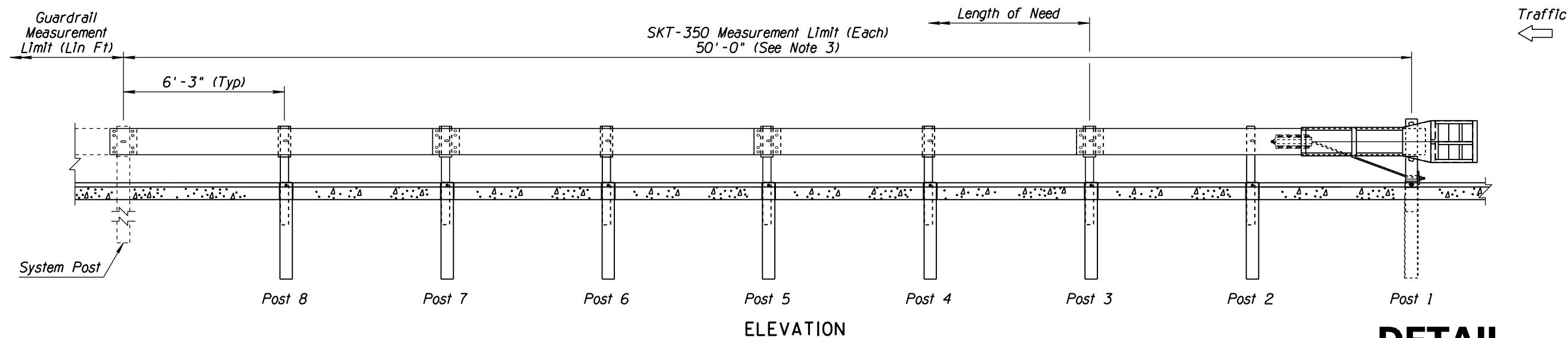
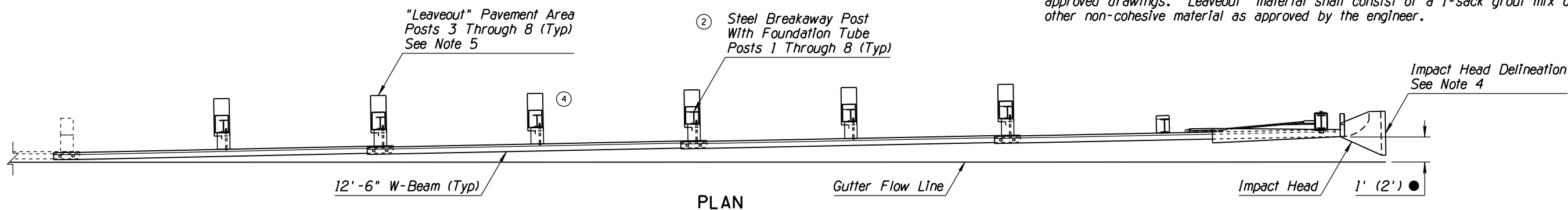
● FOR ELEVATIONS ABOVE 4,000', USE THE VALUES IN PARENTHESES

F.H.W.A. REGION	STATE	PROJECT NO.	SHEET NO.	TOTAL SHEETS	AS BUILT
9	ARIZ.				

GENERAL NOTES

1. This detail is for roadway layout only.
2. The SKT-350 shall be installed in accordance with the manufacturer's specifications and current approved drawings including all details, hardware, hardware quantities, and other information.
- ② The current manufacturer's approved drawing is number SKT-S-8US-AZ LEAVEOUT, 09/20/07. Visit the Roadway Design web site to view and print the drawing.
3. The 50' W-Beam length shall consist of four 12'-6" sections, the end section being a proprietary split rail.
4. See specifications and Traffic Signing and Marking Standard Drawings.
- ④ 5. "Leaveouts" in asphaltic concrete shall be provided in the AC pavement around the guardrail posts at the locations and dimensions specified on the manufacturer approved drawings. "Leaveout" material shall consist of a 1-sack grout mix or other non-cohesive material as approved by the engineer.

Note to Designer:  
The information presented in this Roadway Plans Detail is for general use. Designers should satisfy themselves that their project site conditions are appropriate for use of this drawing. Contents within the inner border shall not be altered, except for the addition of the Detail designation.



DETAIL

Sheet 1 of 2  
LAYOUT FOR SKT-350  
8 FOUNDATION TUBES  
(PCCP, WITH CURB)

NO	DESCRIPTION OF REVISIONS	MADE BY	DATE
1	REISSUED DRAWING WITH MODIFIED APPROACH TAPER	RLF	5/22/07
2	POSTS REVISED TO STEEL: MODIFIED GRAPHICS	RLF	9/20/07
3	REVISED DRAWING DATE	RLF	7/09/09
4	REVISED "LEAVEOUT" GRAPHICS AND GENERAL NOTE 5	RLF	6/06/11

DESIGN APPROVED		ARIZONA DEPARTMENT OF TRANSPORTATION INTERMODAL TRANSPORTATION DIVISION ROADWAY GROUP PLANS DETAIL	
J.C. Cooper			
APPROVED FOR DISTRIBUTION			
Mary Vigarina			
ROUTE	LOCATION	SHEET	OF
TRACS NO.			OF