

Date: 6/06/11

● FOR ELEVATIONS ABOVE 4,000', USE THE VALUES IN PARENTHESES

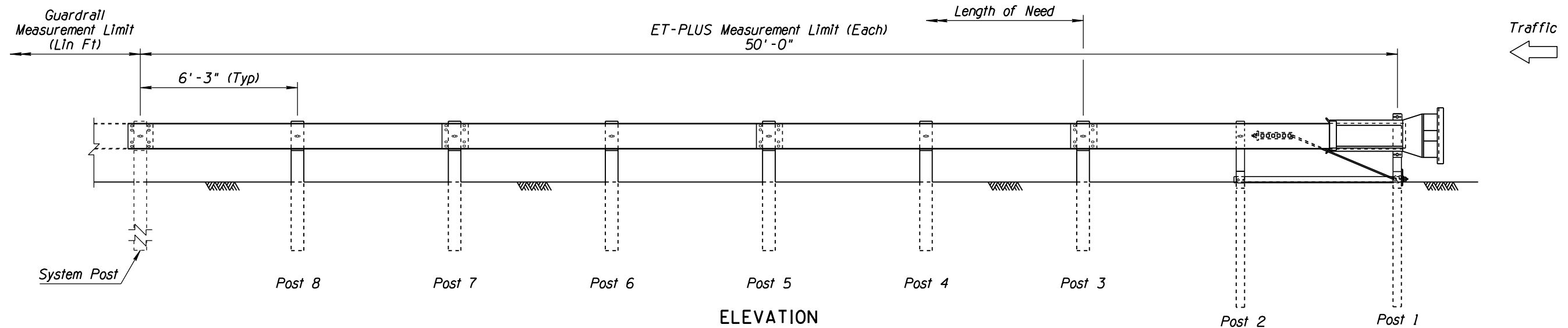
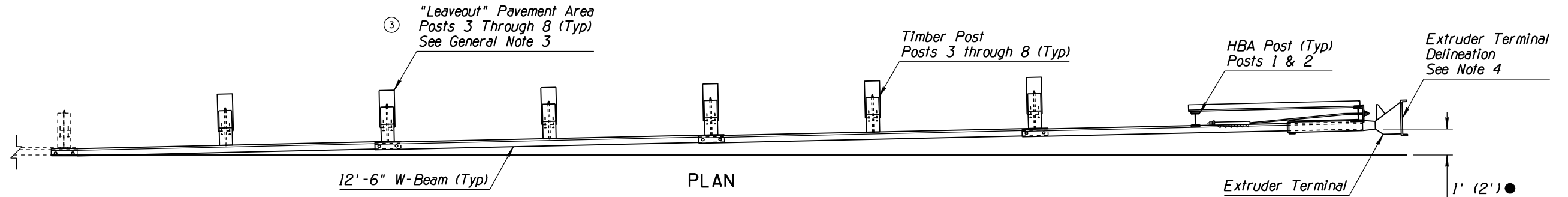
F.H.W.A. REGION	STATE	PROJECT NO.	SHEET NO.	TOTAL SHEETS	AS BUILT
9	ARIZ.				

GENERAL NOTES

1. This detail is for roadway layout only.
2. The ET-PLUS shall be installed in accordance with the manufacturer's specifications and current approved drawings including all details, hardware, hardware quantities, and other information.

The current manufacturer's approved drawing is number SS-358, 05/16/11. Visit the Roadway Design web site to view and print the drawing.
3. "Leaveouts" in asphaltic concrete shall be provided in the AC pavement around the guardrail posts at the locations and dimensions specified on the manufacturer approved drawings. "Leaveout" material shall consist of a 1-sack grout mix or other non-cohesive material as approved by the engineer.
4. See specifications and Traffic Signing and Marking Standard Drawings.

Note to Designer:
The information presented in this Roadway Plans Detail is for general use. Designers should satisfy themselves that their project site conditions are appropriate for use of this drawing. Contents within the inner border shall not be altered, except for the addition of the Detail designation.



DETAIL

Sheet 1 of 2
LAYOUT FOR ET-PLUS
HBA POSTS
(AC PAVEMENT)

NO	DESCRIPTION OF REVISIONS	MADE BY	DATE
1	REISSUED DRAWING WITH MODIFIED APPROACH TAPER	RLF	5/22/07
2	REVISED TITLE BLOCK NAME & DRAWING DATE	RLF	7/09/09
3	ADDED "LEAVEOUT" CALLOUT & NEW GENERAL NOTE 3	RLF	6/06/11
4			

DESIGN APPROVED		ARIZONA DEPARTMENT OF TRANSPORTATION INTERMODAL TRANSPORTATION DIVISION ROADWAY GROUP PLANS DETAIL	
J.C. Cooper			
APPROVED FOR DISTRIBUTION			
Mary Viparina			
ROUTE	LOCATION	SHEET	OF
TRACS NO.			OF