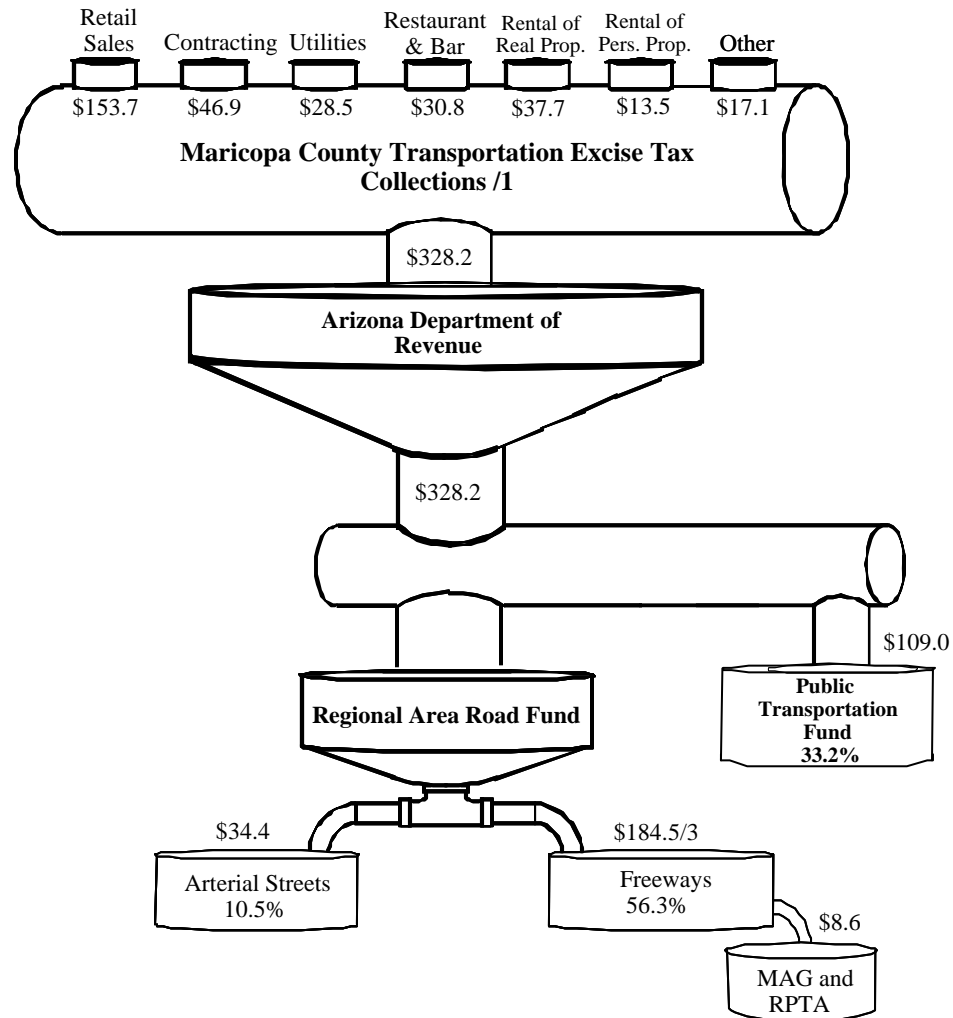


MARICOPA COUNTY TRANSPORTATION EXCISE TAX

FY 2009 ACTUAL REVENUE DISTRIBUTION FLOW

(Millions of Dollars)



NOTES:

/1. Prop 300 expired on December 31, 2005 and Prop. 400 became effective on January 1, 2006. FY 2006 collections and distributions are a mix of both Prop. 300 and Prop. 400. Prop. 300 monies will continue over time due to adjustments, refunds and audits.

/2. Under Prop. 400, the Regional Area Road Fund (ADOT) receives the Freeways 56.2% and the Arterial Streets 10.5% revenues. MAG programs projects for the Arterial Streets 10.5% monies and then bills ADOT for the costs.

/3. A portion of the Freeways 56.2% monies are distributed equally to MAG and the Public Transportation Fund to be used for planning purposes.