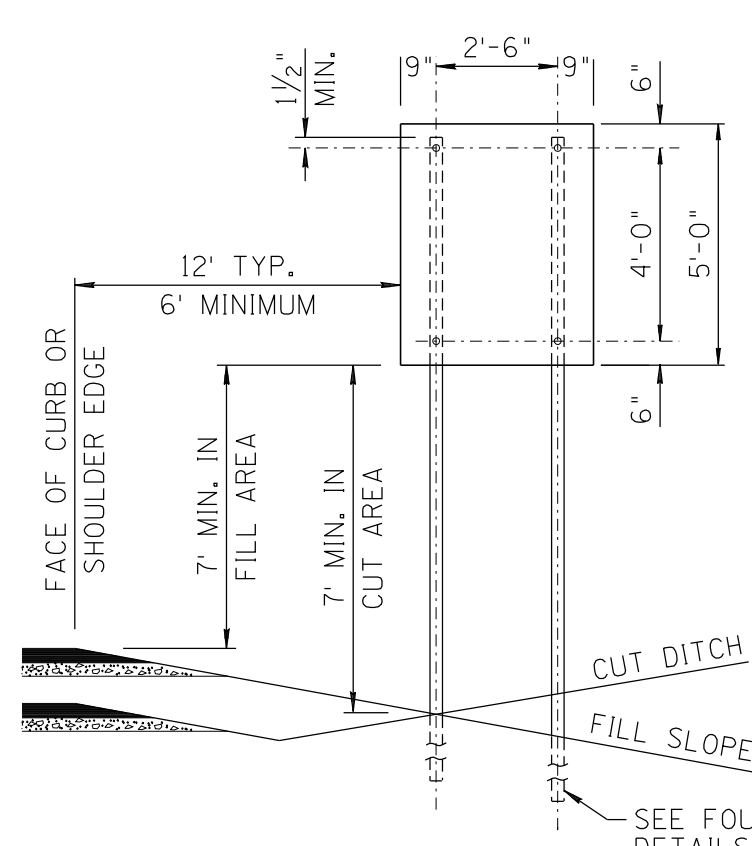
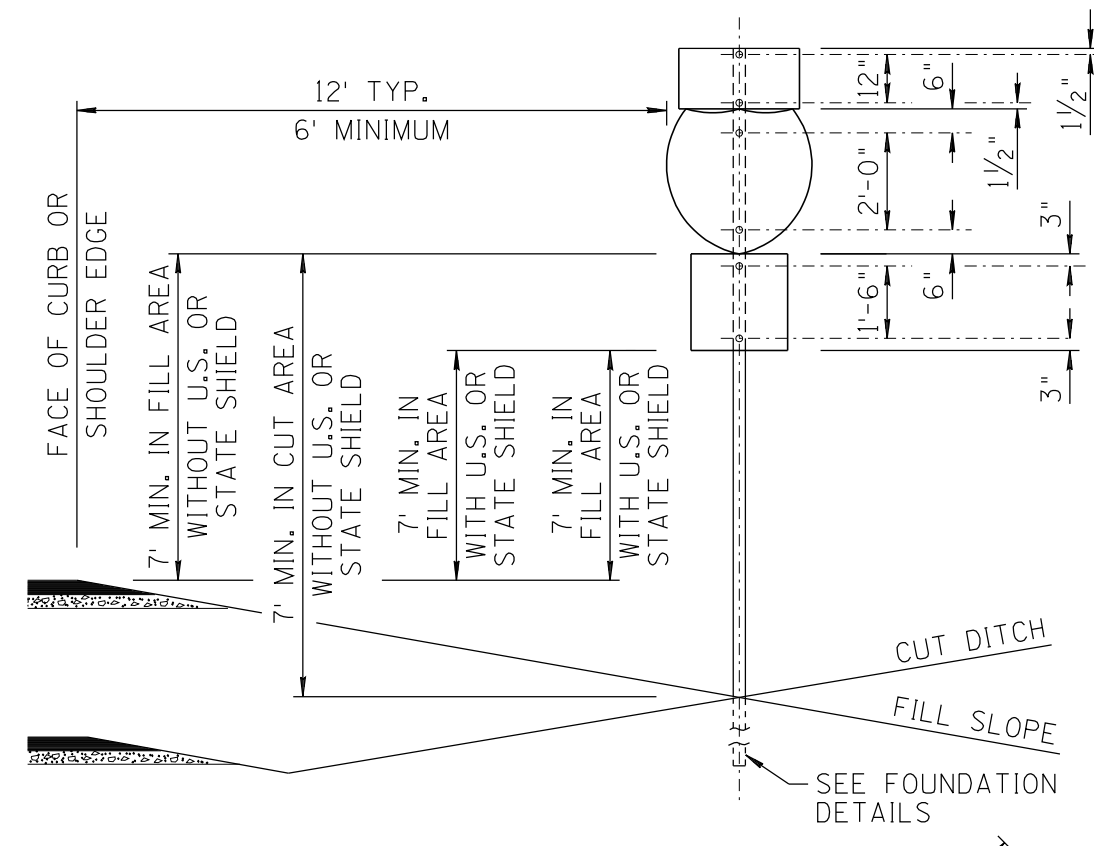


NO.	DESCRIPTION OF REVISIONS	MADE BY	DATE
1	RE-ISSUE	L. LOPEZ	2/02
2	REVISED SIGN DIMENSIONS, ADDED TWO NEW DRAWINGS, ADDED NEW BORDER.	L. LOPEZ	10/10
3			
4			



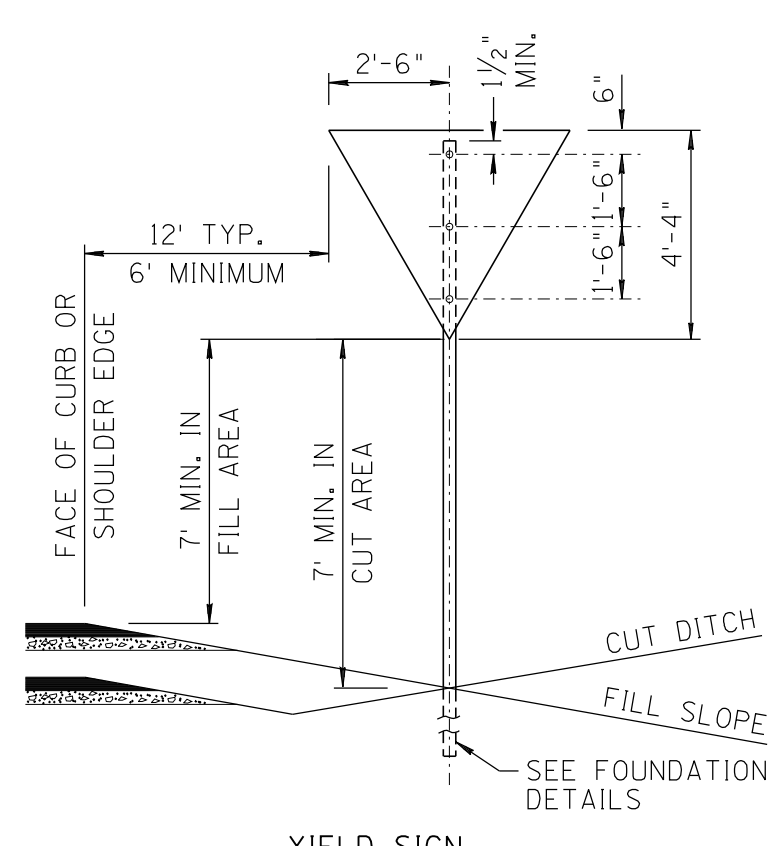
REGULATORY SIGN

SEE FOUNDATION DETAILS



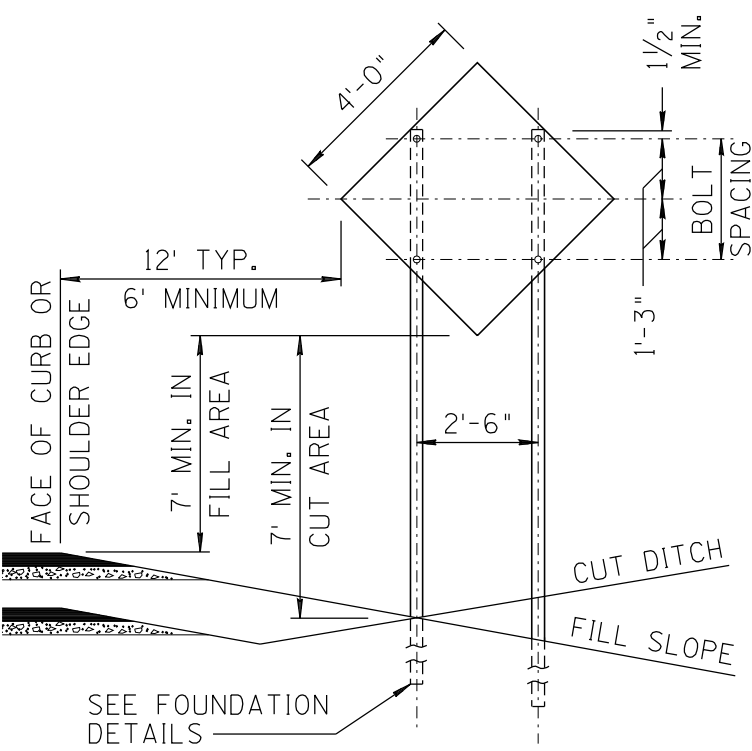
ROUTE MARKER ASSEMBLY

SEE FOUNDATION DETAILS



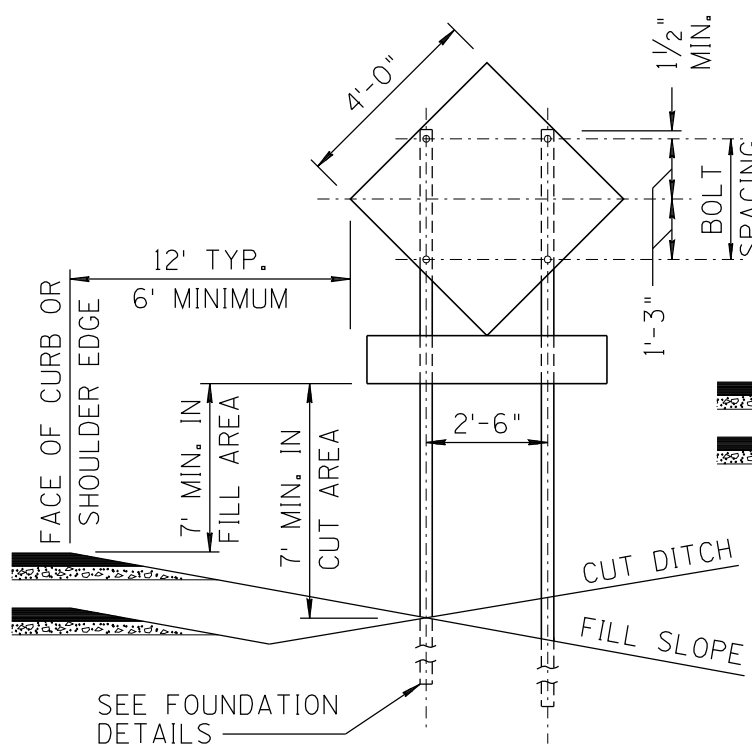
YIELD SIGN

SEE FOUNDATION DETAILS



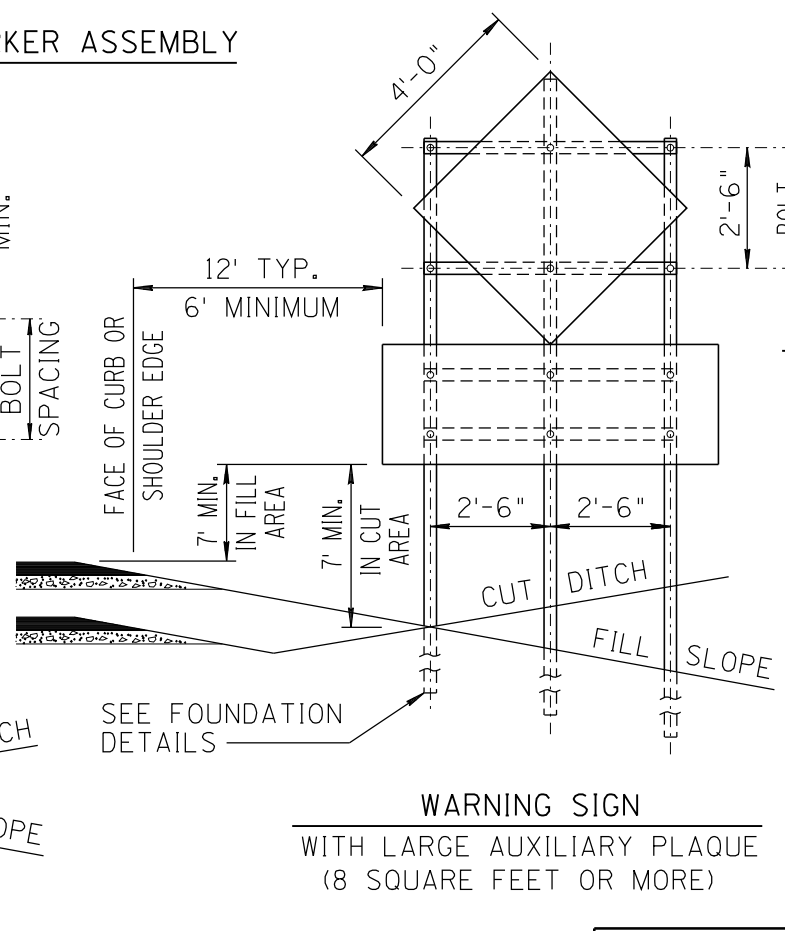
WARNING SIGN WITHOUT PLAQUE

SEE FOUNDATION DETAILS



WARNING SIGN WITH SMALL AUXILIARY PLAQUE (LESS THAN 8 SQUARE FEET)

SEE FOUNDATION DETAILS



WARNING SIGN WITH LARGE AUXILIARY PLAQUE (8 SQUARE FEET OR MORE)

SEE FOUNDATION DETAILS

NOTES:

1. SEE FHWA STANDARD HIGHWAY SIGNS BOOKLET FOR PANEL BOLT HOLE SPACING NOT SHOWN.
2. DETERMINE POST SIZE FROM SQUARE TUBE SELECTION CHART.
3. OFFSET FROM FACE OF CURB OR SHOULDER EDGE MAY BE ADJUSTED DUE TO FIELD CONDITIONS.

DESIGN APPROVED	ARIZONA DEPARTMENT OF TRANSPORTATION INTERMODAL TRANSPORTATION DIVISION TRAFFIC SIGNING & MARKING STANDARD DRAWINGS	REVISION 10/10
<b>SIGNATURES</b>		DRAWING NO. S-3
APPROVED FOR DISTRIBUTION	OFFSETS, CLEARANCES AND MOUNTING DETAILS FOR WARNING, REGULATORY AND MARKER SIGNS ON FREEWAYS	SHEET NO. 2 OF 4
<b>ON FILE</b>		

NOT TO SCALE