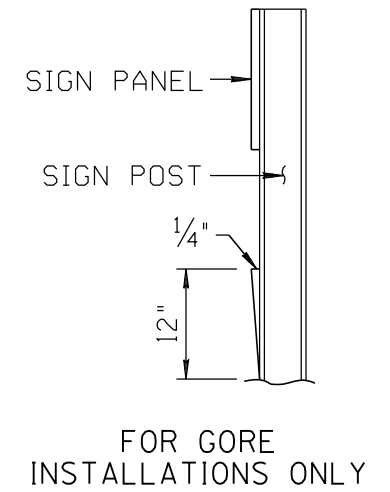
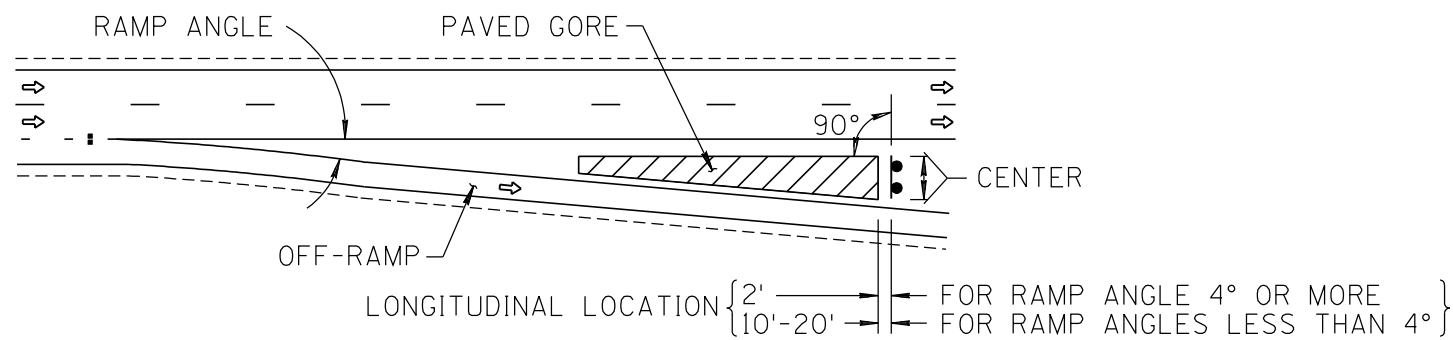
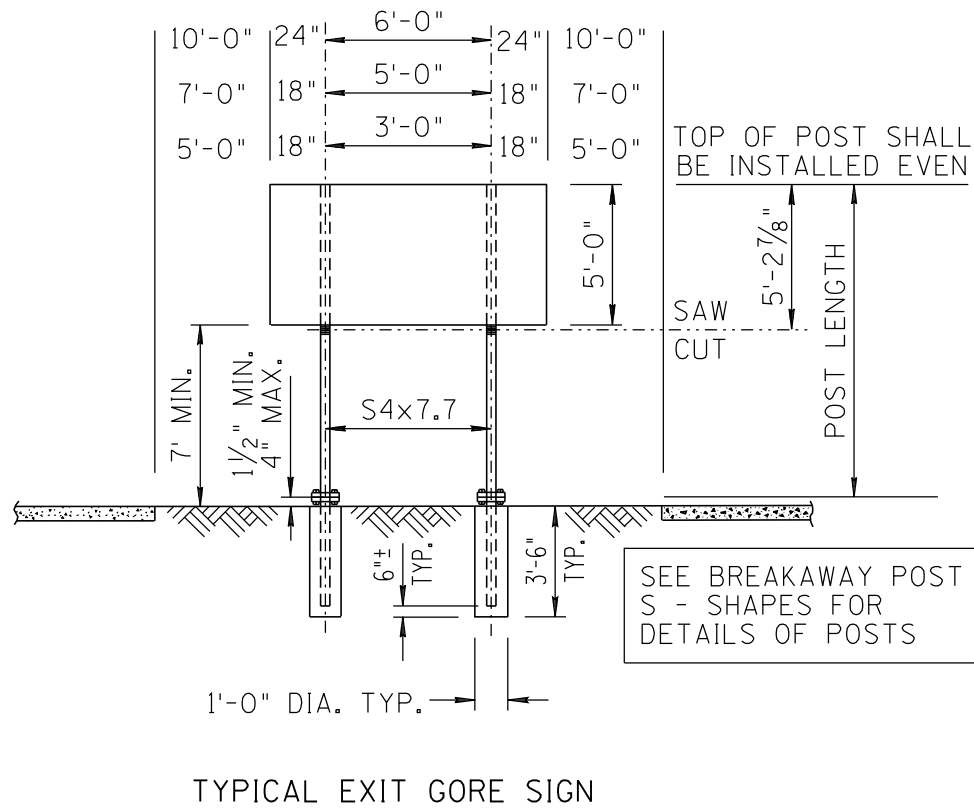
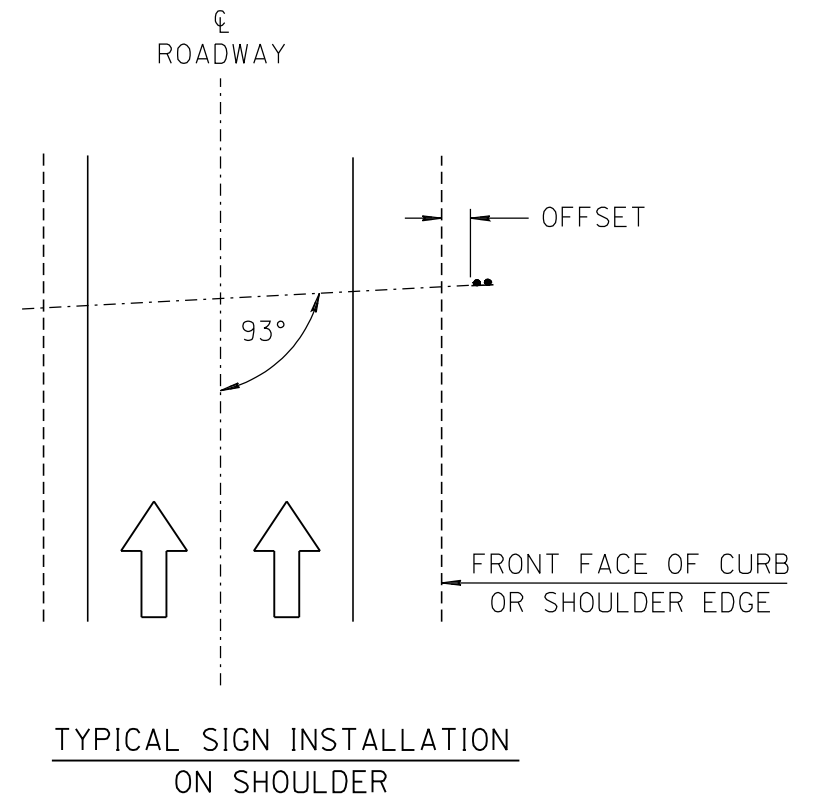
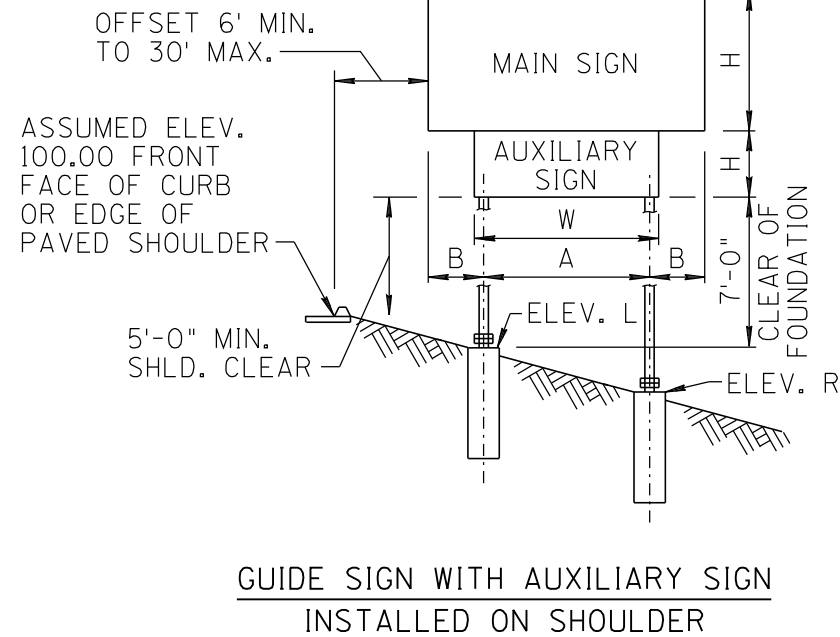
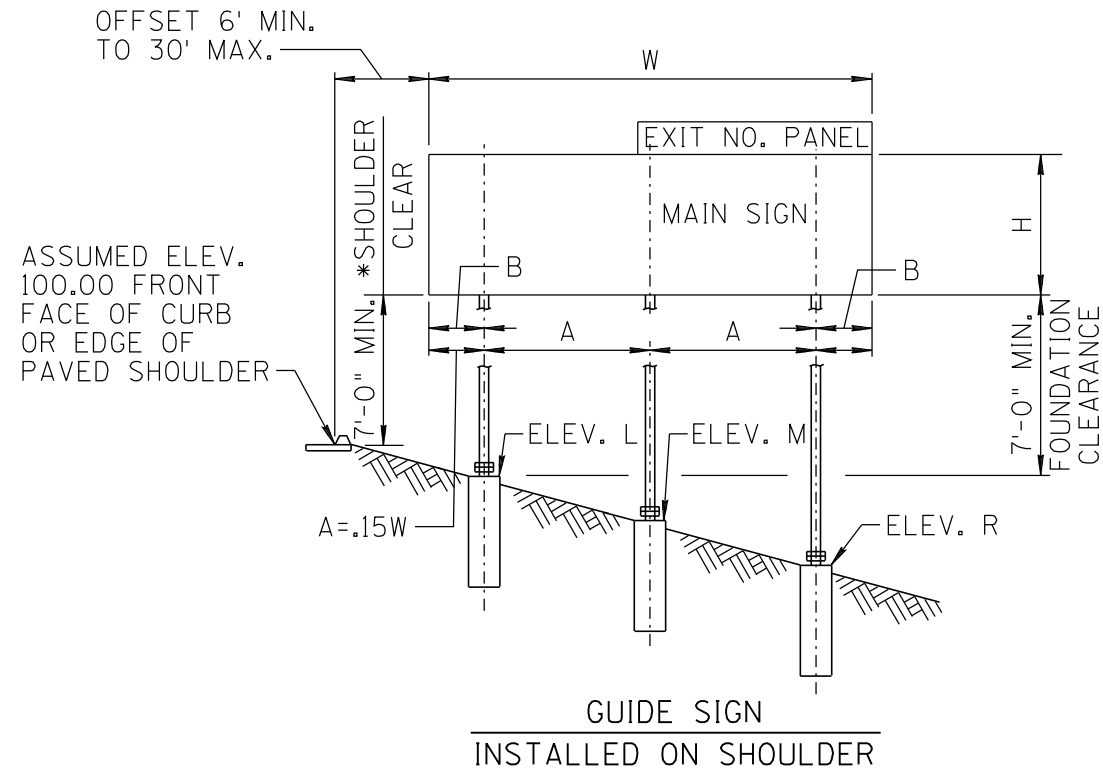


NO.	DESCRIPTION OF REVISIONS	DATE	MADE BY
1	RE-ISSUE	2/02	L. LOPEZ
2	REVISED SIGN DIMENSIONS. ADDED POST TABLE. ADDED NEW BORDER.	10/10	L. LOPEZ

\* WHEN SIGN IS 30' OR MORE FROM EDGE OF PAVED SHOULDER, THE 7'-0" SHOULDER CLEAR MAY BE REDUCED TO 5'-0" MIN.



POST TYPE	TWO POST		THREE POST		FOUR POST	
	A	B	A	B	A	B
S4x7.7 W6x12	60% W 9'-0" MAX.	20% W 1'-0" MIN. 3'-0" MAX.	35% W 9'-0" MAX.	15% W 3'-0" MAX.	25% W 9'-0" MAX.	12.5% W 3'-0" MAX.
W8x18 W10x22	7'-6" MIN. 9'-0" MAX.	1'-0" MIN. 3'-0" MAX.	7'-6" MIN. 9'-0" MAX.	1'-0" MIN. 3'-0" MAX.	7'-6" MIN. 9'-0" MAX.	1'-0" MIN. 3'-0" MAX.

NOT TO SCALE

DESIGN APPROVED	ARIZONA DEPARTMENT OF TRANSPORTATION INTERMODAL TRANSPORTATION DIVISION TRAFFIC SIGNING & MARKING STANDARD DRAWINGS	REVISION	10/10
<b>SIGNATURES</b>		DRAWING NO.	S-3
APPROVED FOR DISTRIBUTION	OFFSETS, CLEARANCES AND MOUNTING DETAILS FOR GUIDE SIGNS AND BREAKAWAY POST INSTALLATION	SHEET NO.	1 OF 4
<b>ON FILE</b>			