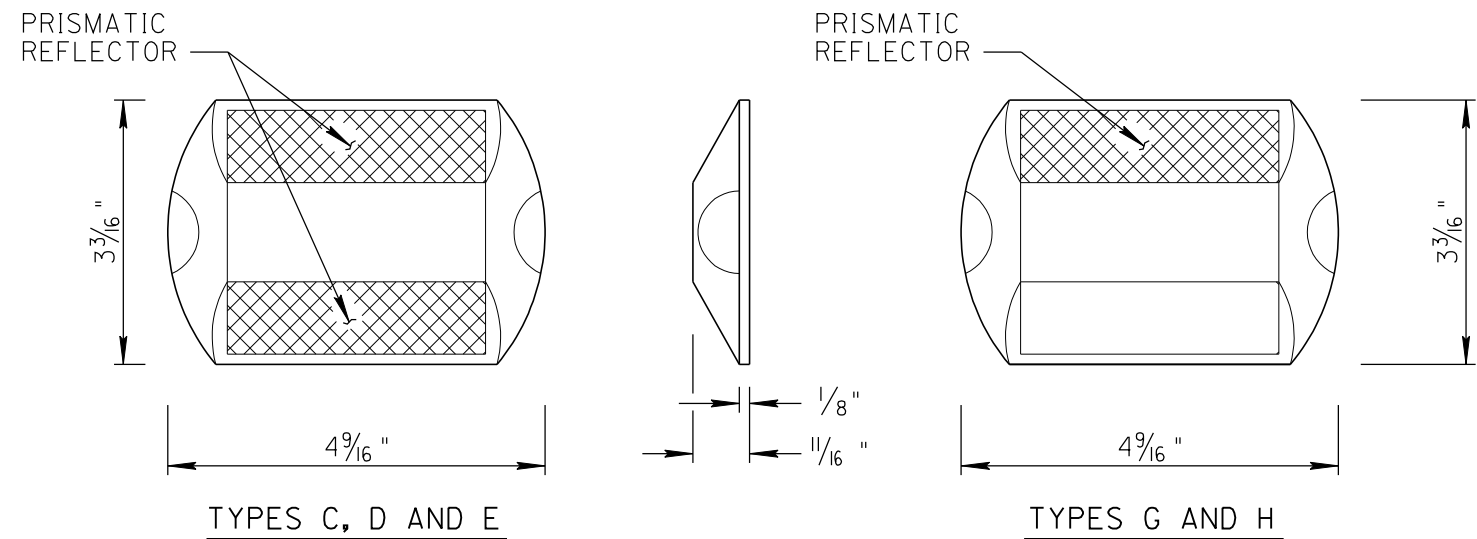
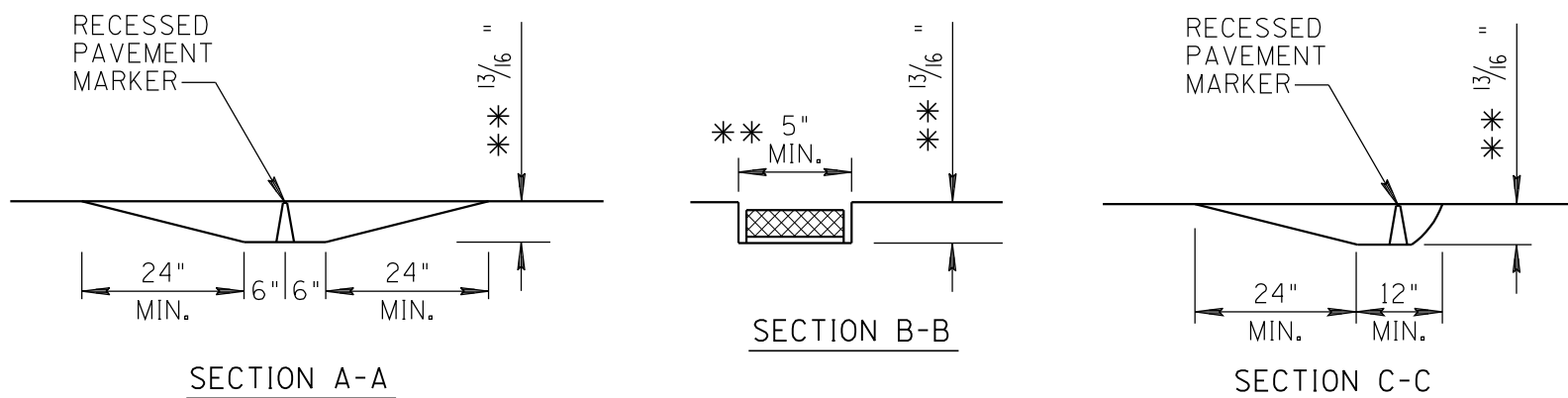
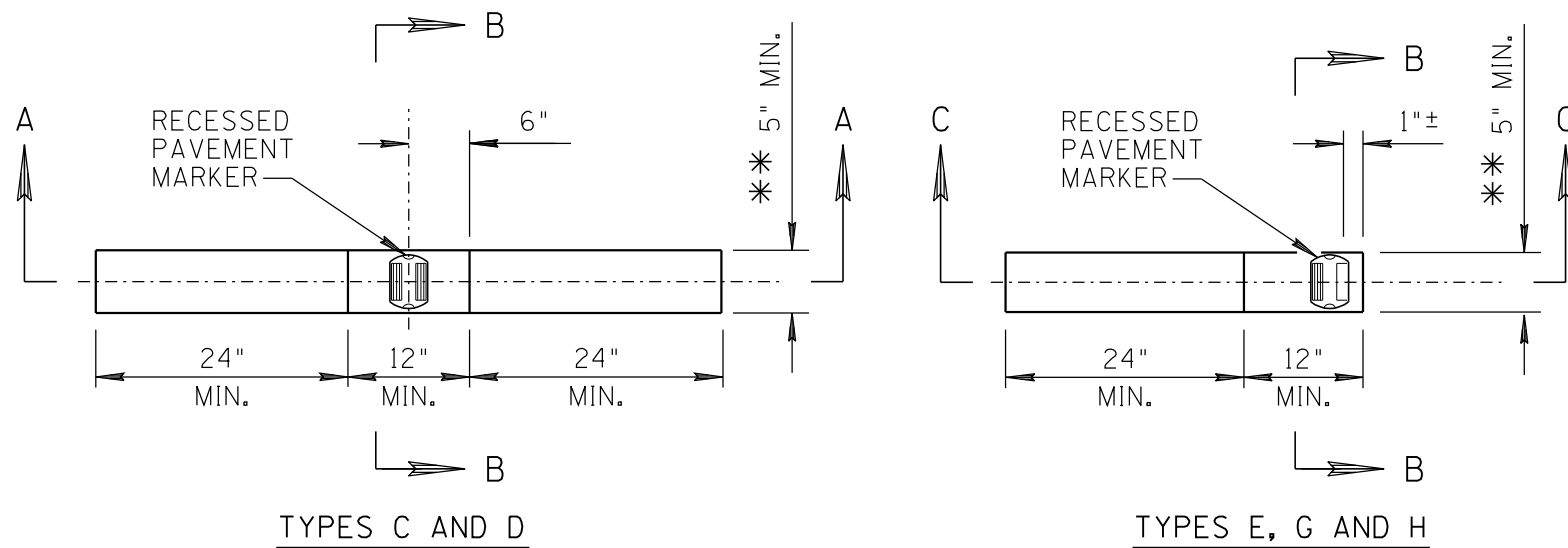


NO	DESCRIPTION OF REVISIONS	MADE BY	DATE
1	RE-ISSUE	L. LOPEZ	2/02
2	ADDED TYPE E RECESSED PAVEMENT MARKER	L. LOPEZ	6/08
3			
4			



RECESSED PAVEMENT MARKERS

ACTUAL SHAPE AND DIMENSIONS CAN VARY IF THE MANUFACTURER MEETS OTHER REQUIREMENTS.



RECESSING GROOVE DETAILS

NOTES:

1. SHAPE OF MARKER SHOWN IS FOR INFORMATION ONLY. THE ACTUAL CONFIGURATION OF MARKERS CAN VARY INCLUDING THE SHAPE AND TYPE OF REFLECTING SURFACE AS LONG AS IT FITS WITHIN THE STANDARD RECESSED GROOVE.
2. TYPE C (CLEAR ON ONE SIDE/RED ON ONE SIDE) MARKERS ARE REFLECTORIZED AND INTENDED FOR USE WITH ONE-WAY TRAFFIC AS ON RAMPS AND DIVIDED HIGHWAYS.
3. TYPE D (YELLOW ON BOTH SIDES) MARKERS ARE REFLECTORIZED AND INTENDED FOR USE WITH TWO-WAY TRAFFIC.
4. TYPE E (YELLOW ON ONE SIDE/RED ON ONE SIDE) MARKERS ARE REFLECTORIZED AND INTENDED FOR USE WITH ONE-WAY TRAFFIC, LEFT EDGELINES, ON LIMITED ACCESS FREEWAYS.
5. TYPE G (CLEAR ON ONE SIDE) MARKERS ARE REFLECTORIZED AND INTENDED FOR USE WITH ONE-WAY TRAFFIC.
6. TYPE H (YELLOW ON ONE SIDE) MARKERS ARE REFLECTORIZED AND INTENDED FOR USE WITH TWO-WAY TRAFFIC.
7. APPROVED CIRCULAR CERAMIC MARKERS 5 INCHES IN DIAMETER AND 1 INCH IN HEIGHT WITH A VERTICAL REFLECTIVE FACE(S) MAY ALSO BE USED, WITH CORRESPONDING INCREASES IN THE DEPTH OF THE PAVEMENT GROOVE.
- **8. DEPTH AND WIDTH OF GROOVE MAY BE ADJUSTED SLIGHTLY TO FIT PHYSICAL DIMENSIONS OF MARKER SELECTED IF APPROVED IN ADVANCE BY THE TRAFFIC ENGINEERING GROUP.

NOT TO SCALE

DESIGN APPROVED	ARIZONA DEPARTMENT OF TRANSPORTATION INTERMODAL TRANSPORTATION DIVISION STANDARD DRAWINGS	REV. 6/08
APPROVED FOR DISTRIBUTION SIGNATURE ON FILE		DRAWING NO. M-18
RECESSED PAVEMENT MARKER DETAILS		