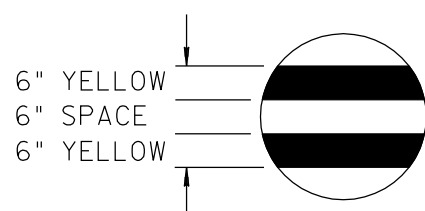
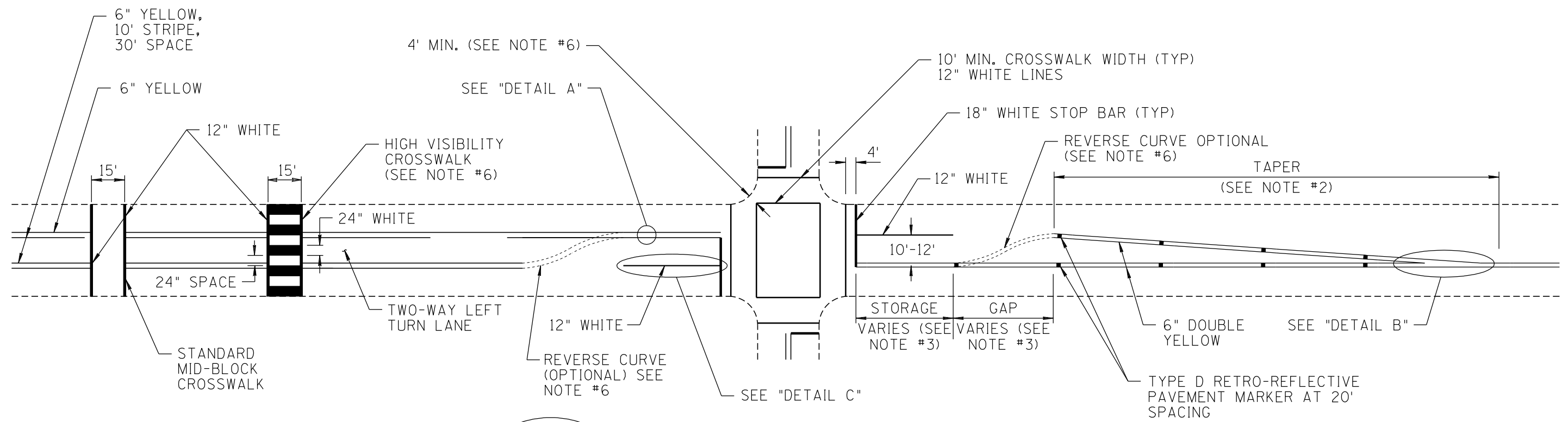
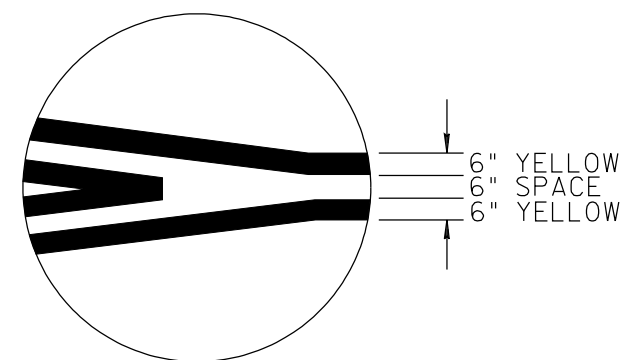


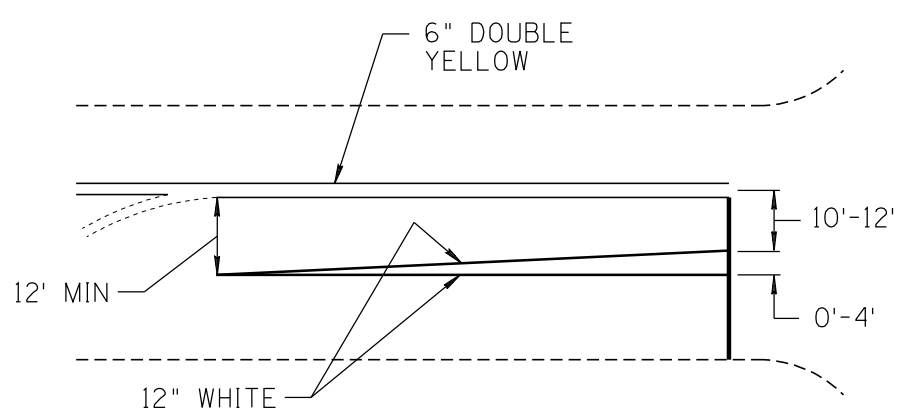
NO	DESCRIPTION OF REVISIONS	MADE BY	DATE
1	RE-ISSUE	L. LOPEZ	2/02
2			
3			
4			



DETAIL A



DETAIL B



DETAIL C
12 FT TO 16 FT MEDIAN

NOTES:

1. ALL MEASUREMENTS SHALL BE TO THE CENTER OF THE LINES (STRIPE).
2. TAPER LENGTHS FOR A DESIGN OR POSTED SPEED OF 40 MPH OR LESS SHALL USE THE FORMULA; $WS^2 / 60 = L$. TAPER LENGTHS FOR A DESIGN OR POSTED SPEED ABOVE 40 MPH SHALL USE THE FORMULA; $S \times W = L$. L = TAPER LENGTH; S = POSTED SPEED LIMIT; W = DISTANCE OF LATERAL SHIFT.
3. REFER TO TRAFFIC GROUP POLICIES, GUIDELINES AND PROCEDURES FOR TURN LANE DESIGN. ALSO SEE STD. DWG. M-11.
4. NUMBER AND LOCATIONS OF CROSSWALKS AT AN INTERSECTION MAY VARY AS REQUIRED BY THE RAMP LOCATIONS AND AS DIRECTED BY THE ENGINEER.
5. THERE SHOULD BE A MINIMUM OF 4 FEET CLEARANCE BETWEEN THE INSIDE CORNERS OF THE CROSSWALK AND THE APEX OF THE CURB RADIUS.
6. TO BE INSTALLED ONLY WHEN DIRECTED BY THE ENGINEER.
7. FOR ARROW AND "ONLY" PAVEMENT MARKING SEE STANDARD DRAWING M-11.

SHEET 1 OF 3
NOT TO SCALE

DESIGN APPROVED	ARIZONA DEPARTMENT OF TRANSPORTATION INTERMODAL TRANSPORTATION DIVISION STANDARD DRAWINGS	REV. 2/02
APPROVED FOR DISTRIBUTION		DRAWING NO. M-2
INTERSECTION STRIPING		