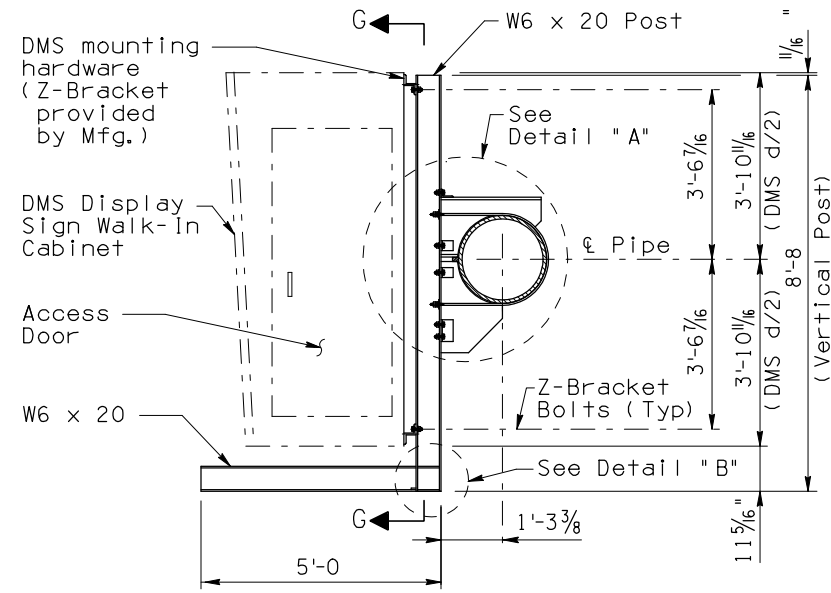
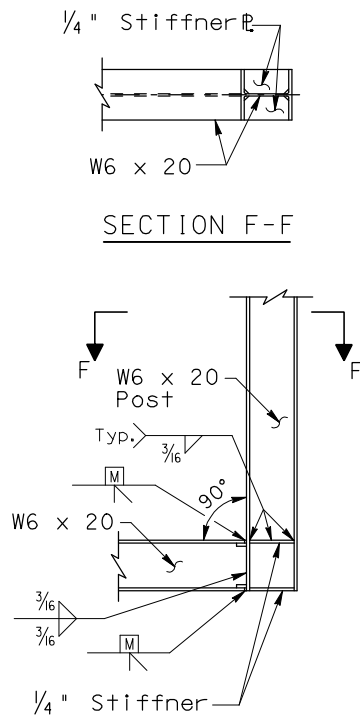


Note to Designer:
 The information presented in this Standard Detail has been prepared in accordance with recognized engineering principles and is for general use. It should not be used for specific application without competent professional examination and verification of its suitability and applicability by a licensed professional engineer. Contents within the inner border line shall not be altered.

NO	DESCRIPTION OF REVISIONS	MADE BY	DATE
1	Original Issue	SH	05-07
2			
3			
4			

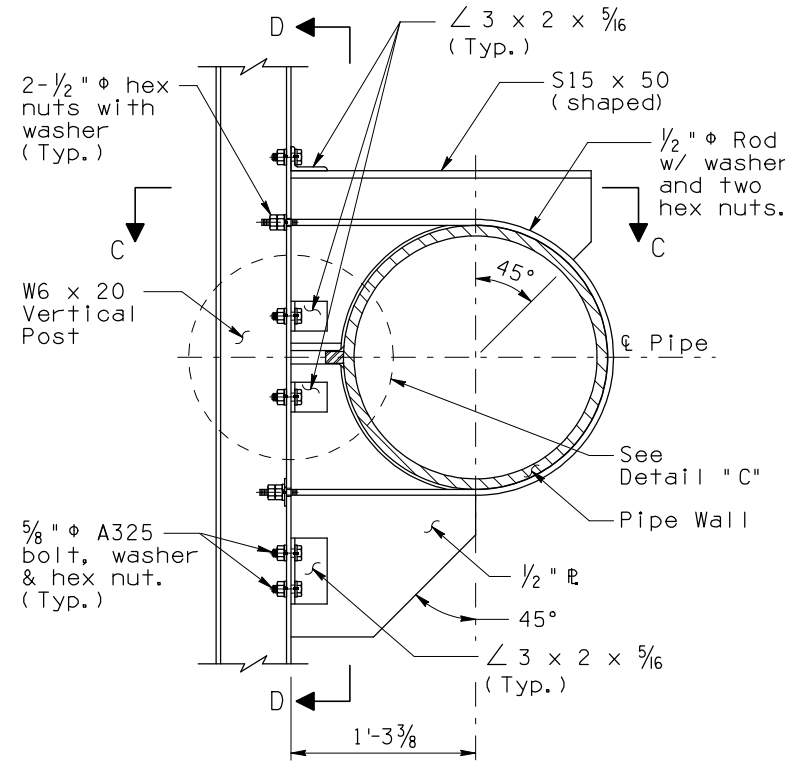


SECTION A-A

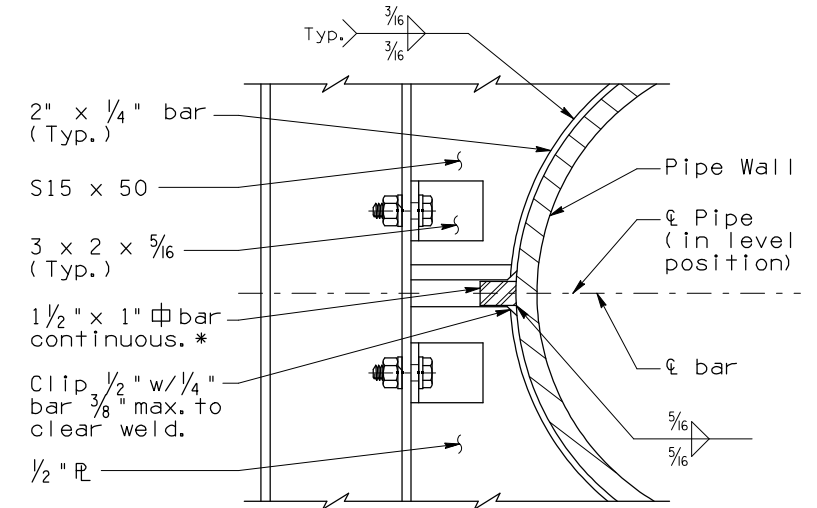


SECTION F-F

DETAIL "B"



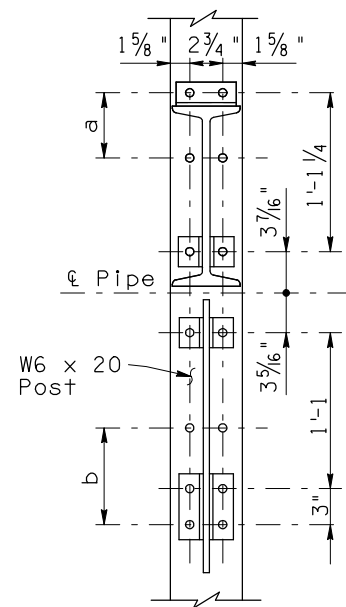
DETAIL "A"



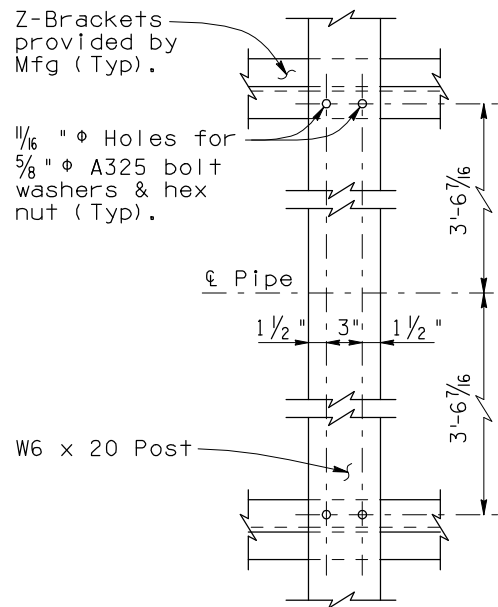
* Terminate bar 6" from splice flanges.

DETAIL "C"

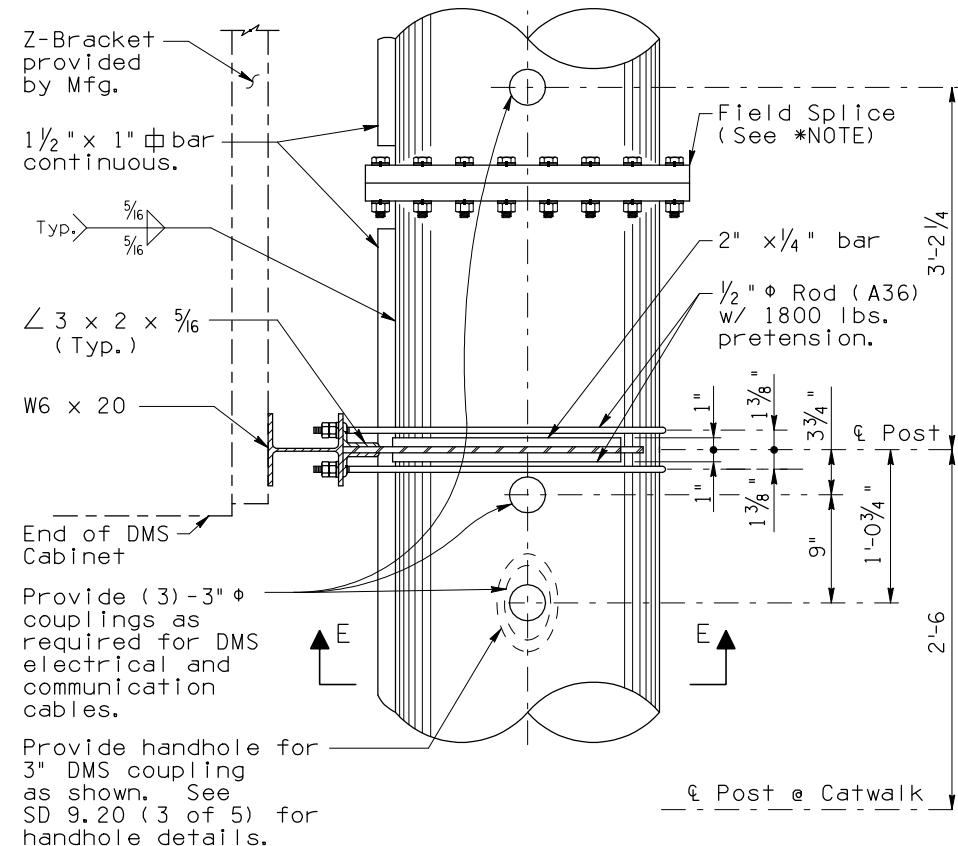
NOTE:
See Table for 'a' and 'b' dimensions.



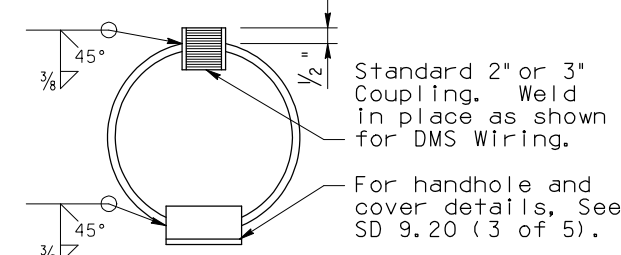
SECTION D-D



SECTION G-G



SECTION C-C



SECTION E-E

*NOTE:
Optional mast arm field splice, if any, shall not interfere with DMS cabinet supports, handhole or coupling locations.

Frame Type	Nominal Pipe Dia.	a	b
2F	16"	8 7/16"	11 1/16"
3F	20"	6 7/16"	9 1/16"
4F	22"	5 7/16"	8 1/16"

DESIGN APPROVED <i>Shafiq U. Hasan</i>		ARIZONA DEPARTMENT OF TRANSPORTATION INTERMODAL TRANSPORTATION DIVISION BRIDGE GROUP STRUCTURE DETAIL	
APPROVED FOR DISTRIBUTION <i>Teon A. Nehme</i>		DYNAMIC MESSAGE SIGN TUBULAR FRAME MOUNTING DETAILS	
ROUTE	PROJECT NO.	FA NO.	DRAWING NO. SD 9.52 (2 of 5)
LOCATION			SHEET NO. OF